

MINI BALUN TRANSFORMERS

R34M SERIES

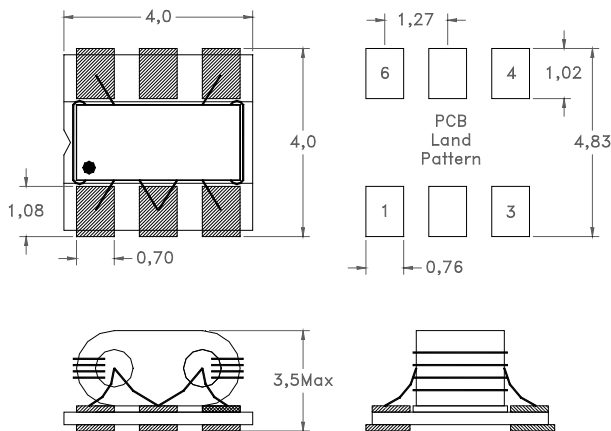


- Good for CATV and SET Top Box applications
- Small surface mount package: 4mm square, 3.5 mm high
- Operating Temperature: -40°C to +85°C
- RoHS Compliant Product
- Custom design available

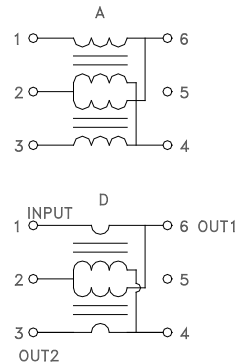
ELECTRICAL PARAMETERS @25°C

Part Number	Turns	Frequency Response Rate (MHz)	Insertion Loss dB Max	Schematic
R34M-				
Double Balanced Mixer (50 Ω:200 Ω) (6-4:1-3)				
3A	3	20-2000	3	A
4A	4	6-1850	3	A
5A	5	3-1550	3	A
6A	6	0.1-1100	3	A
Splitter/Directional Coupler				
3D	3	45-1500	in-out1, 2dB in-out2, 10dB	D
4D	4	8-1200	in-out1, 1.5dB in-out2, 14dB	D
5D	5	5-1000	in-out1, 1.2dB in-out2, 16dB	D

DIMENSIONS (mm)



SCHEMATIC



Dimensions

Unless otherwise specified, all tolerances are:
 inch: .XX : ±0.015 .XXX : ±0.004
 mm: X,X : ±0,38 X,XX : ±0,10

Product performance is limited to specified parameters. Data is subject to change without prior notice.