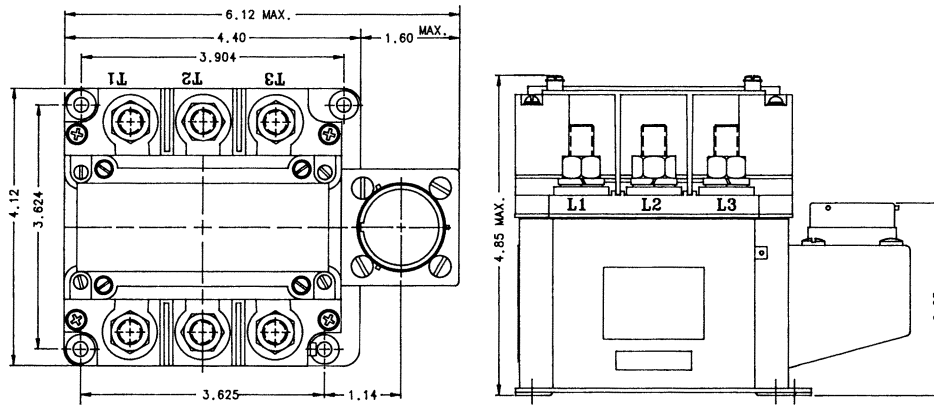


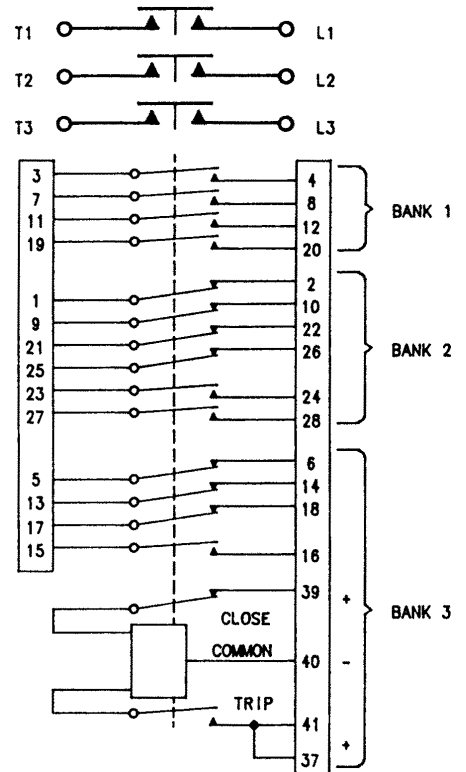
B-430-1 3PST, Magnetic Latch, 275 Amps, 115/200 VAC, 400 Hz



Features:

- 3PST Main Contacts
- Magnetic Latch
- Self De-Energizing Coil
- 115/200 VAC, 400 Hz
- 275 Amps
- High Reliability
- Meets many requirements of MIL-R-6106

CONTACTOR CONFIGURATION



Notes:

| PRODUCT SPECIFICATIONS | |
|-------------------------------|--------------------------------------|
| Construction | Gasket Sealed, Vented |
| Main Contacts: | |
| Configuration | 3PST Magnetic Latch |
| Voltage (Nominal) | 115/200 VAC, 400 Hz |
| Current (Resistive) | 275 Amps, 115 / 200 VAC, Continuous |
| Auxiliary Contacts: | |
| Configuration | 7-SPST N.O., 7-SPST N.C. |
| Rating | |
| Low Level | 10 mA @ 28 VDC |
| High Level | 7.5 Amps @ 28 VDC or 1 Amp @ 240 VAC |
| Coil Data: | |
| Duty Cycle | Continuous, Self De-Energizing |
| Voltage (Nominal) | 28 VDC |
| Operate Voltage | |
| Close | 15 - 28 VDC |
| Trip | 15 - 28 VDC |
| Coil Current @ 28 VDC & +25°C | |
| Close | 6 Amps Maximum |
| Trip | 6 Amps Maximum |
| Operating Temperature | -55°C to +85°C |
| Life: | |
| Electrical | 50,000 Cycles |
| Mechanical | 100,000 Cycles |
| Weight | 4 Lbs. |

For factory-direct application assistance, contact the HARTMAN product team at (419) 521-9500, Fax (419) 526-2749.

© 2004 by Tyco Electronics Corporation. All Rights Reserved. HARTMAN and TYCO are trademarks.