

FEATURES AND SPECIFICATIONS

Features and Benefits

- Sizes 2 to 12 circuits
- Positive latching system
- Polarized
- Flanged mating envelope for ease in blind mating
- PCB pegs optional
- Surface Mount Compatible

Reference Information

Product Specification: PS-71690-001
 Packaging: Tray
 UL File No.: E29179
 CSA File No.: LR19980
 Mates With: 71694 and 5557
 Designed In: Inches

Electrical

Voltage: 600V
 Current: Receptacle and header

Wire Gauge	2 Circuit	3 to 12 Circuit
18	7.00	6.00
20	6.00	5.25
22	5.00	4.50
24	4.50	4.00

Contact Resistance: 20mΩ max.
 Dielectric Withstanding Voltage: 2200V AC
 Insulation Resistance: 1000 MΩ min.

Mechanical

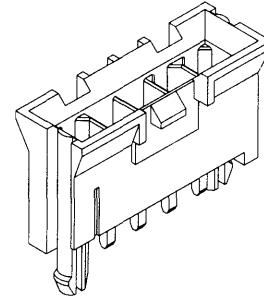
Insertion Force to PCB: 21N (4.72 lb) min.
 Retention Force to PCB: 18N (4.05 lb) min.
 Mating Force: 6.86N (1.54 lb) max.
 Unmating Force: 3.92N (.89 lb) max.
 Durability: 30 cycles

Physical

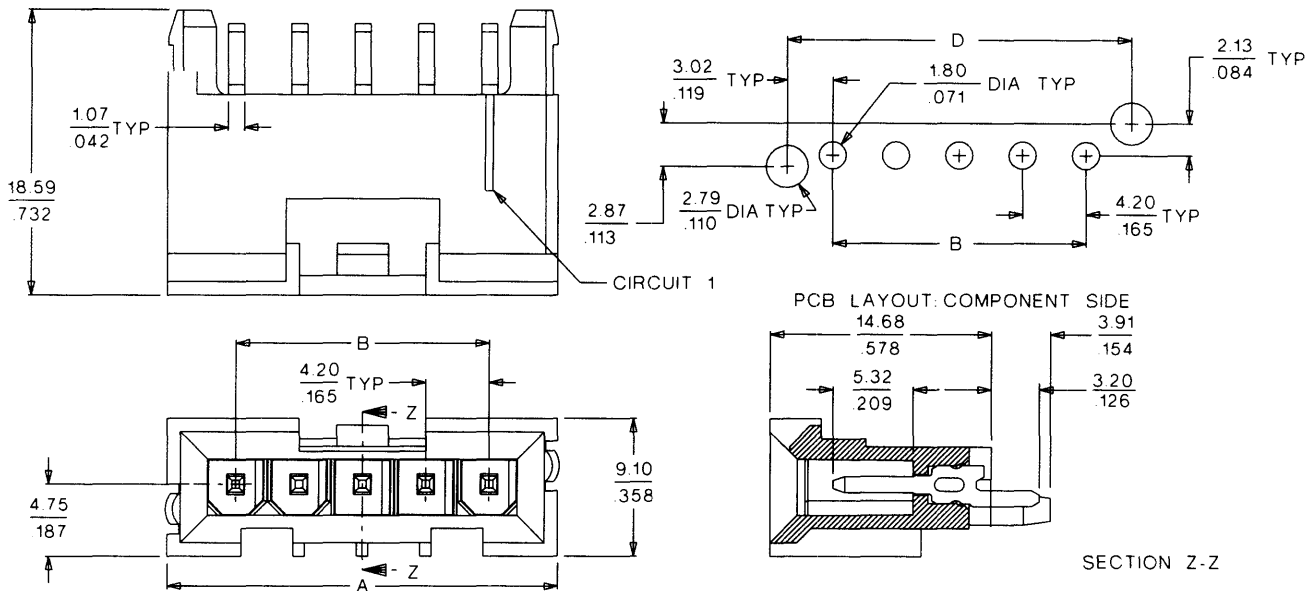
Housing: High temperature glass-filled polyester, UL 94V-0
 Contact: Brass
 Plating: See Table
 Operating Temperature: -40 to +105°C

molex® 4.20mm (.165") Pitch Mini-Fit™ Wire-to-Board Header

71231 Single Row, Vertical SMC



CATALOG DRAWING (FOR REFERENCE ONLY)



ORDERING INFORMATION AND DIMENSIONS

Circuits	Order No.						Dimension		
	Tin/Lead		15μ" Gold		30μ" Gold		A	B	D
	With Pegs	Without Pegs	With Pegs	Without Pegs	With Pegs	Without Pegs			
2	• 71231-0001	71231-0201	71231-0401	71231-0501	71231-0101	71231-0301	13.31 (.524)	4.20 (.165)	10.24 (.403)
3	• 71231-0003	71231-0203	71231-0403	71231-0503	71231-0103	71231-0303	17.50 (.689)	8.40 (.331)	14.43 (.569)
4	• 71231-0005	71231-0205	71231-0405	71231-0505	71231-0105	71231-0305	21.71 (.855)	12.60 (.496)	18.61 (.734)
5	• 71231-0007	71231-0207	71231-0407	71231-0507	71231-0107	71231-0307	25.91 (1.020)	16.80 (.661)	22.84 (.899)
6	• 71231-0009	71231-0209	71231-0409	71231-0509	71231-0109	71231-0309	30.10 (1.185)	21.00 (.827)	27.03 (1.064)
7	• 71231-0011	71231-0211	71231-0411	71231-0511	71231-0111	71231-0311	34.31 (1.351)	25.20 (.992)	31.24 (1.230)
8	• 71231-0013	71231-0213	71231-0413	71231-0513	71231-0113	71231-0313	38.50 (1.516)	29.40 (1.158)	35.44 (1.395)
9	• 71231-0015	71231-0215	71231-0415	71231-0515	71231-0115	71231-0315	42.72 (1.682)	33.60 (1.323)	39.65 (1.561)
10	• 71231-0017	71231-0217	71231-0417	71231-0517	71231-0117	71231-0317	46.91 (1.847)	37.80 (1.488)	43.84 (1.726)
11	• 71231-0019	71231-0219	71231-0419	71231-0519	71231-0119	71231-0319	51.10 (2.012)	42.00 (1.654)	48.03 (1.891)
12	• 71231-0021	71231-0221	71231-0421	71231-0521	71231-0121	71231-0321	55.30 (2.177)	46.20 (1.819)	52.25 (2.057)

• US Standard Product, available through Molex franchised distributors