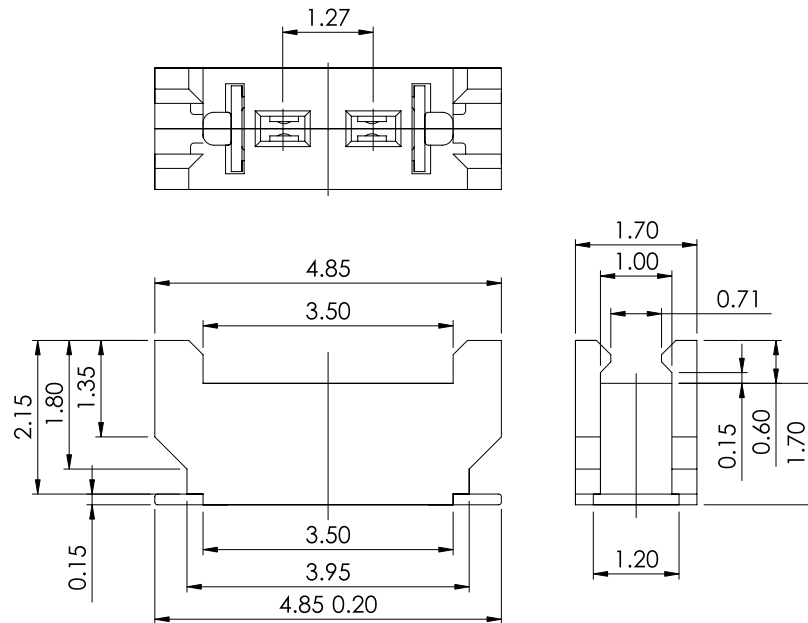




127240FA Series

Specifications:

- **Insulator Material** : Black High Temp. Plastic
- **Operating Type Range** : -40°C TO +105°C
- **Terminal Material** : Copper Alloy
- **Platings** : Contact Gold Plated
- **Max. Current Rating** : 7.0A
- **Max. Voltage Rating** : 30V AC
- **Dielectric Strength** : 500V AC For 60 Seconds

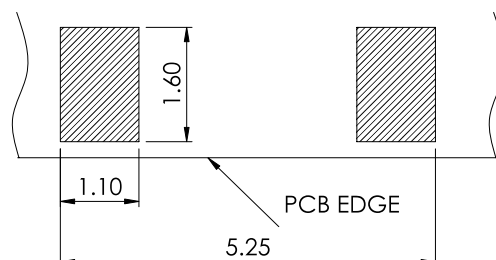


Order Information

127240FA002□□00ZO
 1 2 3 4 5

1. 'A' : Straight SMT Type
 2. No. of Pins.
 3. Plating
 4. Color 'Z' : Black
 5. Package
- 'O' : Slim Box Without CAP
 Reference Page 11

Recommended P.C.B Layout



Mobile

OTHERS