

PLEASE CHECK WWW.MOLEX.COM FOR LATEST PART INFORMATION

Part Number: [0671550004](#)
Status: **Active**
Description: 1.27mm (.050") Pitch CF Card Header - Low Profile, Right Angle, SMT Top Mount For Type II Cards, with Mylar, Tape on Reel Packaging

Documents:

[3D Model](#) [Product Specification PS-67155-003 \(PDF\)](#)
[Drawing \(PDF\)](#) [RoHS Certificate of Compliance \(PDF\)](#)

Agency Certification

UL E29179

General

Product Family Memory Card Sockets
 Series [67155](#)
 Button Type N/A
 Component Type Header/Socket (Host)
 Product Name CompactFlash
 Type II

Physical

Card Detection Switch N/A
 Circuits (Loaded) 50
 Circuits (maximum) 50
 Color - Resin Natural
 Durability (mating cycles max) 10,000
 Ejector Button Side No Ejector Button Present
 Entry Angle 90° Angle (Side Entry)
 Flammability 94V-0
 Keying to Mating Part Yes
 Material - Metal Copper Alloy
 Material - Plating Mating Gold
 Material - Plating Termination Tin
 Material - Resin High Temperature Thermoplastic
 PCB Locator Yes
 PCB Mounting Side Normal
 PCB Retention Yes
 Packaging Type Embossed Tape on Reel
 Pitch - Mating Interface (in) 0.050 In
 Pitch - Mating Interface (mm) 1.27 mm
 Ports 1
 Temperature Range - Operating -20°C to +90°C
 Termination Interface: Style Surface Mount

Electrical

Current - Maximum per Contact 0.5A
 Shielded No
 Voltage - Maximum 500V

Material Info

Reference - Drawing Numbers

Product Specification PS-67155-003
 Sales Drawing SD-67155-001

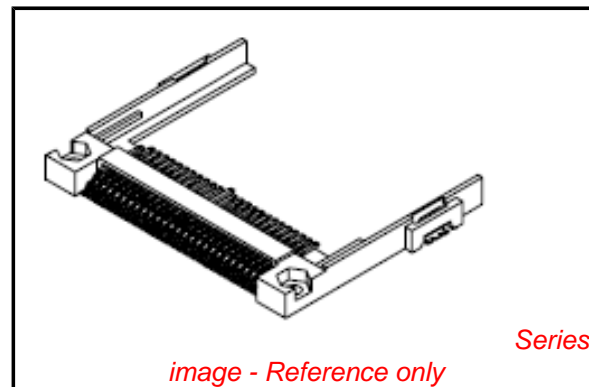


image - Reference only

EU RoHS

China RoHS

Compliance Status

Not Reviewed

REACH SVHC

Not Reviewed

Halogen-Free

Status

Not Reviewed

Need more information on product environmental compliance?

Email productcompliance@molex.com
 For a multiple part number RoHS Certificate of Compliance, [click here](#)

Please visit the [Contact Us](#) section for any non-product compliance questions.

Search Parts in this Series

[67155Series](#)

Mates With

[67003](#) , [67114](#) , Industry Standard CF Card

This document was generated on 05/27/2010

PLEASE CHECK WWW.MOLEX.COM FOR LATEST PART INFORMATION

10 9 8 7 6 5 4 3 2 1

F F

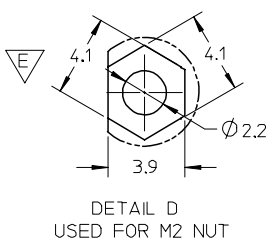
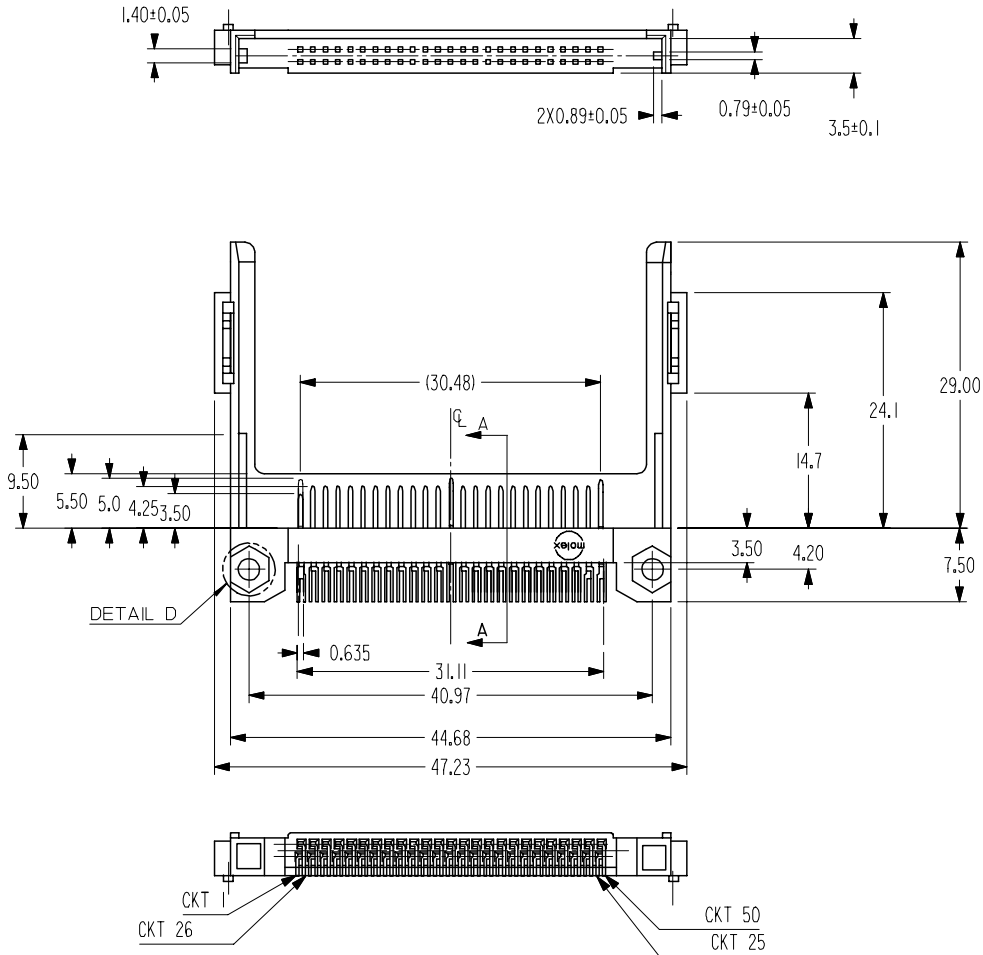
E E

D D

C C

B B

A A



DETAIL D
USED FOR M2 NUT

REVISED	DESCRIPTION
EC NO: SH2007-0727	2007/04/10
DRWN: BCHENZ6	2007/04/11
CHKD: JTIAN	2007/04/11
APPR: INCHEH	2007/04/16

QUALITY SYMBOLS	DESCRIPTION
▽=0	
△=0	

GENERAL TOLERANCES (UNLESS SPECIFIED)	
	ANGULAR ± 2 °
4 PLACES	± ---
3 PLACES	± ---
2 PLACES	± 0.15
1 PLACE	± 0.15

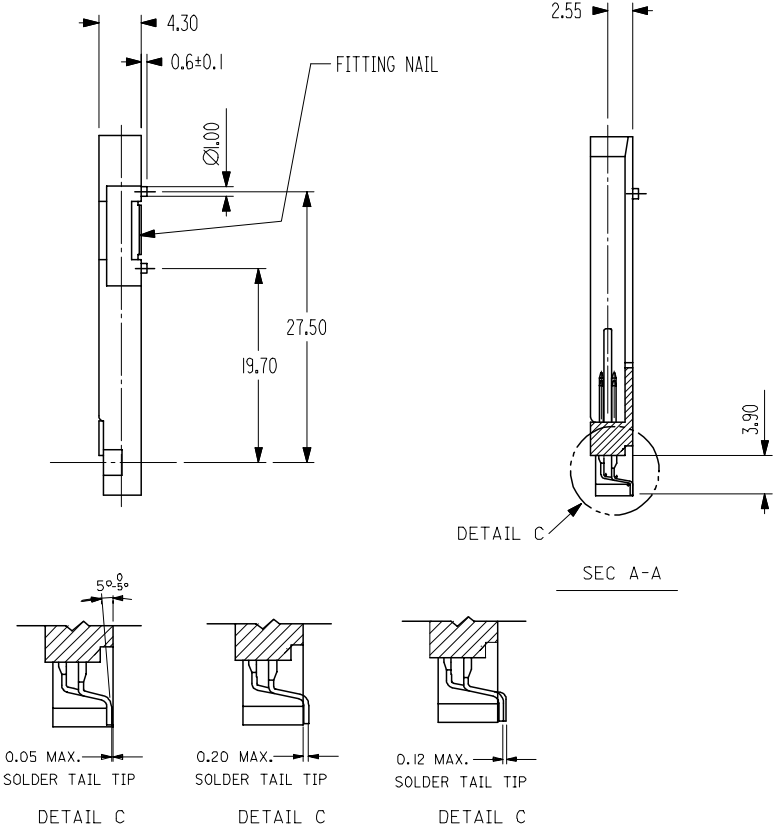
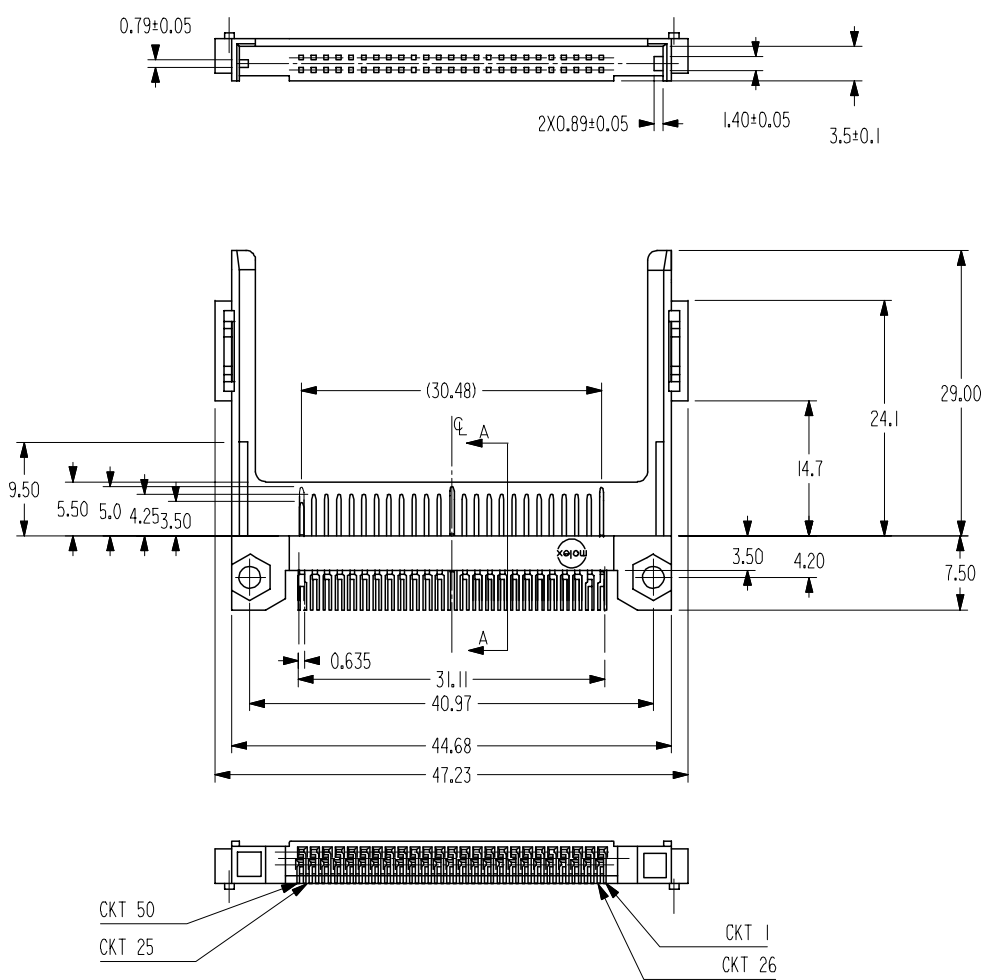
DIMENSION STYLE	
MM ONLY	
DRAWN BY	DATE
JACK LIN	1998/08/06
CHECKED BY	DATE
WALLY WA	1998/08/06
APPROVED BY	DATE
MEGA LIN	1998/08/06
MATERIAL NO.	
671550001	

SCALE	DESIGN UNITS	THIRD ANGLE PROJECTION
2:1	METRIC	
TITLE		
50 CIRCUITS CF LOW PROFILE HEADER		
MOLEX INCORPORATED		SHEET NO.
DOCUMENT NO.		1 OF 4
THIS DRAWING CONTAINS INFORMATION THAT IS PROPRIETARY TO MOLEX INCORPORATED AND SHOULD NOT BE USED WITHOUT WRITTEN PERMISSION		

9 8 7 6 5 4 3 2 1

10 9 8 7 6 5 4 3 2 1

F
E
D
C
B
A



REVISED EC NO: SH2007-0727 DRWN: BCHENZ6 CHKD: JTIAN APPR: JNCHEN	DESCRIPTION 2007/04/10 2007/04/11 2007/04/16	QUALITY SYMBOLS	GENERAL TOLERANCES (UNLESS SPECIFIED)	DIMENSION STYLE	SCALE	DESIGN UNITS	THIRD ANGLE PROJECTION
		$\nabla=0$ $\triangle=0$	mm INCH 4 PLACES ± --- ± --- 3 PLACES ± --- ± --- 2 PLACES ± 0.15 ± --- 1 PLACE ± 0.15 ± --- ANGULAR ± 2 °	MM ONLY	2:1	METRIC	
			DRAFT WHERE APPLICABLE MUST REMAIN WITHIN DIMENSIONS	DRAWN BY DATE JACK LIN 1998/08/06 CHECKED BY DATE WALLY WA 1998/08/06 APPROVED BY DATE MEGA LIN 1998/08/06 MATERIAL NO. 671550002	TITLE	50 CIRCUITS CF LOW PROFILE HEADER	
				MOLEX INCORPORATED DOCUMENT NO. SD-67155-001 SHEET NO. 2 OF 4			

9 8 7 6 5 4 3 2 1

10 9 8 7 6 5 4 3 2 1

F

E

D

C

B

A

F

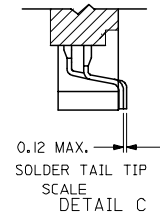
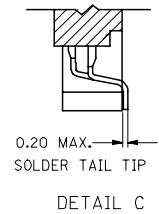
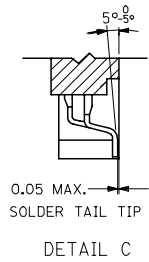
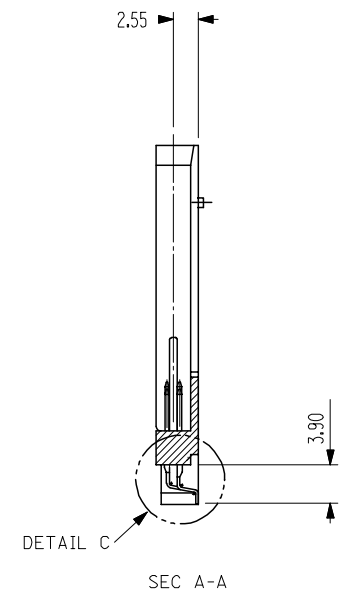
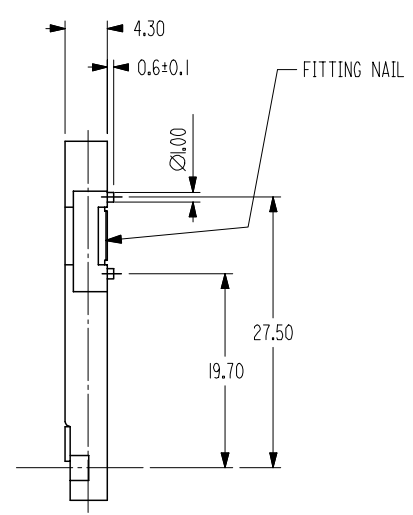
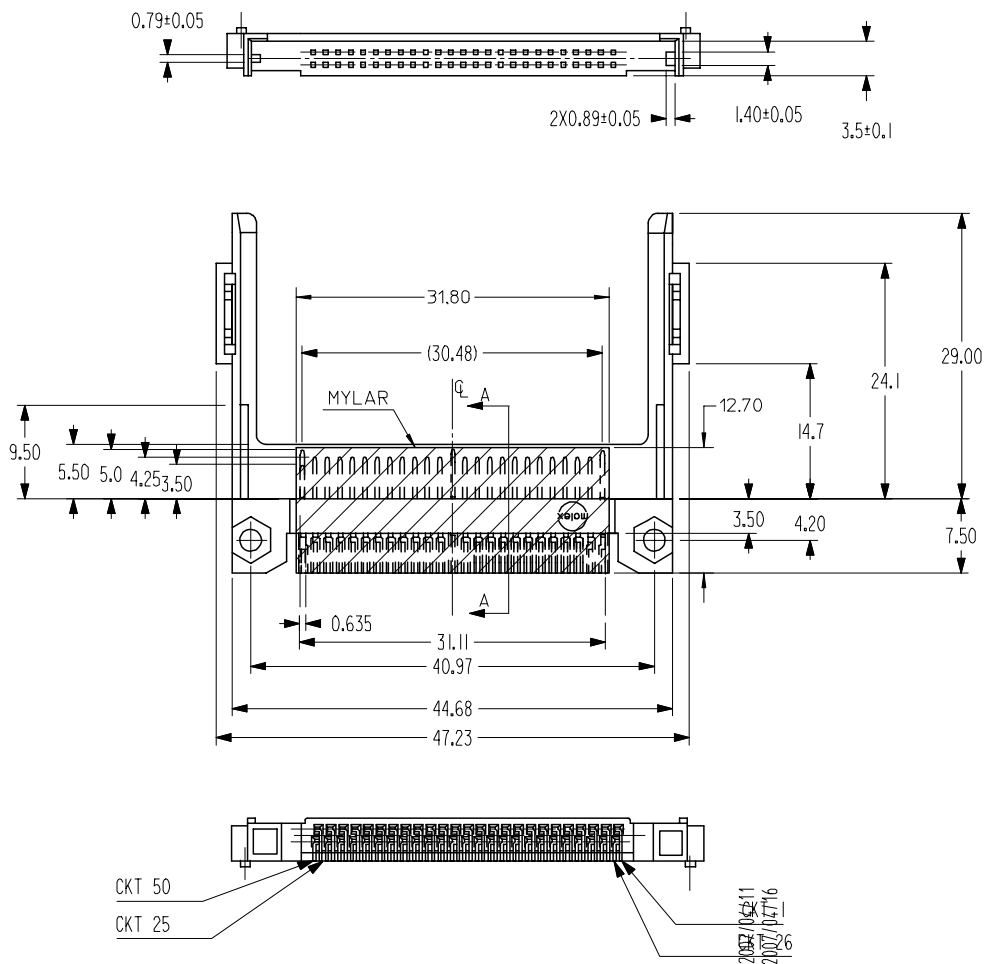
E

D

C

B

A



REVISED	EC NO: SH2007-0727	2007/04/10
	DRWN: BCHENZ6	2007/04/11
	CHKD: JTIAN	2007/04/16
	APPR: JNCHEN	2007/04/26

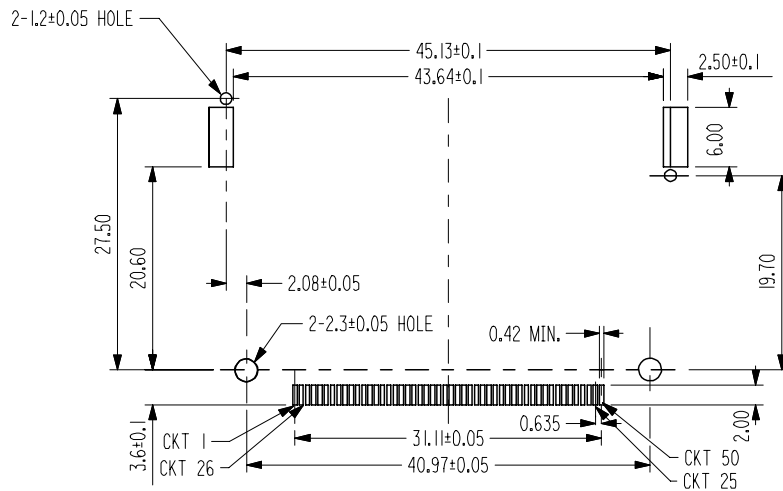
REV	DESCRIPTION
▽=0	QUALITY SYMBOLS
△=0	

GENERAL TOLERANCES (UNLESS SPECIFIED)	
mm	INCH
4 PLACES ± ---	± ---
3 PLACES ± ---	± ---
2 PLACES ± 0.15	± ---
1 PLACE ± 0.15	± ---
ANGULAR ± 2 °	
DRAFT WHERE APPLICABLE MUST REMAIN WITHIN DIMENSIONS	

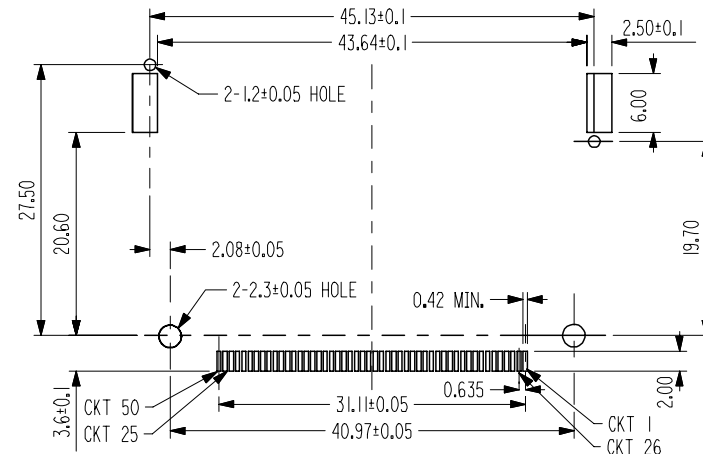
DIMENSION STYLE	
MM ONLY	
DRAWN BY	DATE
JACK LIN	1998/08/06
CHECKED BY	DATE
WALLY WA	1998/08/06
APPROVED BY	DATE
MEGA LIN	1998/08/06
MATERIAL NO.	
671550003	

2:1	DESIGN UNITS METRIC	THIRD ANGLE PROJECTION
50 CIRCUITS CF LOW PROFILE HEADER		
MOLEX INCORPORATED		
DOCUMENT NO.	SHEET NO.	
SD-67155-001	3 OF 4	
THIS DRAWING CONTAINS INFORMATION THAT IS PROPRIETARY TO MOLEX INCORPORATED AND SHOULD NOT BE USED WITHOUT WRITTEN PERMISSION		

9 8 7 6 5 4 3 2 1



RECOMMENDED PCB LAYOUT
REVERSE TYPE



RECOMMENDED PCB LAYOUT
STANDARD TYPE

NOTES:

- MATERIAL : HOUSING: HIGH TEMP PLASTIC, UL94 V-0, COLOR: IVORY
TERMINAL: COPPER ALLOY
- PLATING: CONTACT AREA: AU OVER PD-NI
SOLDERING TAIL: TIN
NICKEL OVERALL
FITTING NAIL: TIN
NICKEL OVERALL
- RECOMMENDED PCB THICKNESS: 0.8MM

- THE COPLANARITY OF SOLDER TAILS SHOULD BE WITHIN 0.12 MM
- FOR PRODUCT SPECIFICATION: REFER TO PS-67155-003

PART NUMBER	DISCRIPTION	PACKAGING
67155-0001	REVERSE TYPE	TYAY PK-67155-001
67155-0002	STANDARD TYPE	
67155-0003	STANDARD TYPE WITH MYLAR	TAPE & REEL PK-67155-002
67155-0004	STANDARD TYPE WITH MYLAR	

REVISED	DESCRIPTION
EC NO: SH2007-0727	
DRWN: BCHENZ6	
CHKD: JTIAN	
APPR: JNCHEN	
REV	

QUALITY SYMBOLS	DESCRIPTION
▽=0	
▽C=0	

GENERAL TOLERANCES (UNLESS SPECIFIED)	mm	INCH
4 PLACES	± ---	± ---
3 PLACES	± ---	± ---
2 PLACES	± 0.15	± ---
1 PLACE	± 0.15	± ---
ANGULAR ± 2 °		
DRAFT WHERE APPLICABLE MUST REMAIN WITHIN DIMENSIONS		

DIMENSION STYLE	MM ONLY
DRAWN BY	DATE
JACK LIN	1998/08/06
CHECKED BY	DATE
WALLY WA	1998/08/06
APPROVED BY	DATE
MEGA LIN	1998/08/06
MATERIAL NO.	
SEE TABLE	

SCALE	2:1
DESIGN UNITS	METRIC
THIRD ANGLE PROJECTION	
TITLE	
50 CIRCUITS CF LOW PROFILE HEADER	
MOLEX INCORPORATED	
DOCUMENT NO.	SHEET NO.
SD-67155-001	4 OF 4
THIS DRAWING CONTAINS INFORMATION THAT IS PROPRIETARY TO MOLEX INCORPORATED AND SHOULD NOT BE USED WITHOUT WRITTEN PERMISSION	