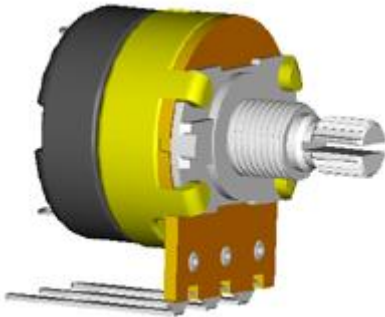


Model(型號): **ROTARY POTENTIOMETER-----R24311CS2**

► Download PDF file



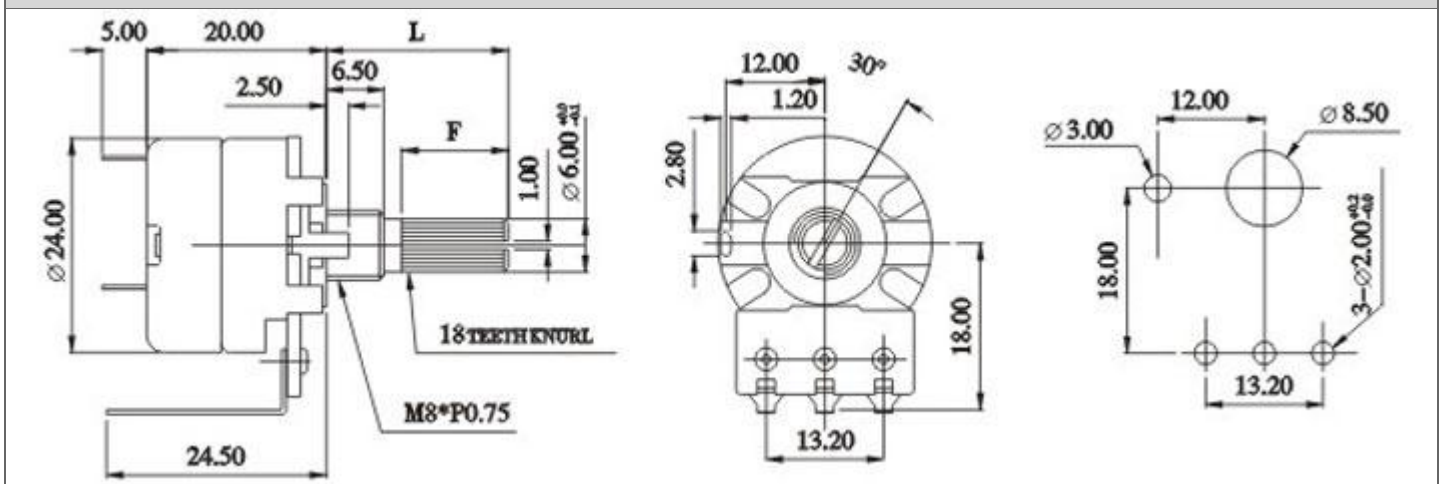
**Features:(特點):**

Excellent operational feeling; Many codels are available. High performance and high dependability.

**Applications(作用):**

Suitable for various control applications sith general consumer electronics products, automotive installation equipment and devices, industrial machines, etc.

**Dimensions(規格圖):**



**Specifications(規格)**

**Electrical Characteristics [ 電氣性能 ]**

Total resistance [ 全阻抗值 ]	500Ω~1MΩ
Total resistance tolerance [ 全阻抗值容許差 ]	±20%
Ratings power(w) [ 額定功率 ]	B curve 0.5W, except B 0.25W
Restings taper[ 阻抗變化特性 ]	A, B, *C, D, W
Residual resistance [ 殘留阻值 ]	20ΩMax.
Sliding noise [ 滑動雜音 ]	80mV Max.
Withstanding voltage [ 耐電壓 ]	1 minute at AC 500V
Insulation resistance [ 絕緣阻抗 ]	100MΩ Min. at DC 500V.
Max. operating voltage [ 最高使用電壓 ]	linear Taper B AC 500V, except B AC 250V.
Gang error:[ 運動誤差 ]	-40dB~0dB ±3dB Max.
Switch contact resistance[ 開關的接觸阻抗 ]	less than 0.3mΩ
Switch Ratings power	1.0A at AC /DC 125V

**Mechanical Characteristics [ 機械性能 ]**

Operation torque [ 回轉力矩 ]	30~200gf . cm
Rotation stopper strength [ 止動強度 ]	5.0Kgf . cm Min.
Total rotational angle [ 回轉角度 ]	300±5°
Switch rotational angle[ 開關的回轉角度 ]	50° ±5°
Switch action[ 開關的轉動力 ]	150~450gf.cm

**Endurance Characteristics [ 耐久性能 ]**

Rotational life [ 回轉壽命 ]	More than 10,000 cycles
--------------------------	-------------------------

