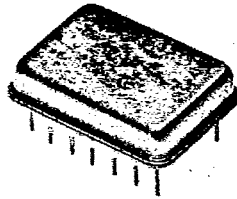


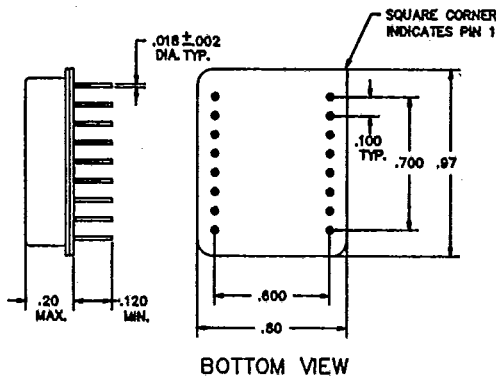
OS-1043

10-500 MHz SP3T Solid State RF Switch



- Internal 50 Ohm Termination (non-reflective)
- Low Insertion Loss
- TTL Control
- Excellent Stability Over Temperature
- Hermetic Enclosure
- High Speed Switching!

Outline Drawing



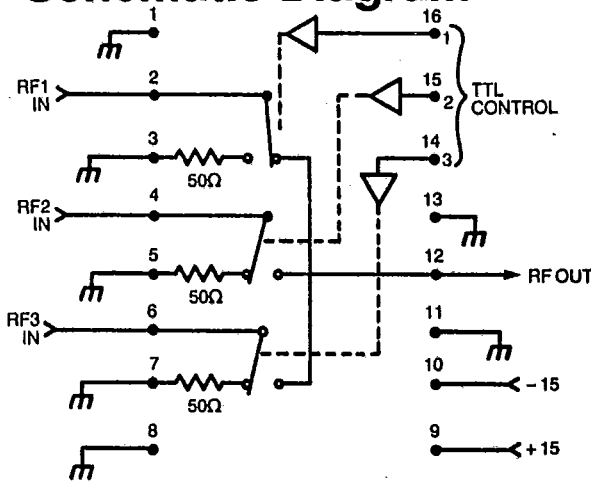
Absolute Maximum Ratings

Ambient Operating Temperature-54°C to + 100°C
 Storage Temperature-65°C to + 125°C
 Maximum DC Voltage..... ±17 Volts

Electrical Specifications @ 25°C

PARAMETER	TYP.	MIN.	MAX.
Frequency Range, MHz	---	10-500	---
Insertion Loss	.8dB	---	1.2dB
Isolation	60dB	50dB	---
VSWR	1.3:1	---	1.5:1
Termination VSWR	1.3:1	---	1.5:1
Switching Speed	.6usec	---	1.0usec
RF Power-Operational	---	---	+13dBm
RF Power-Non Destruct	---	---	+30dBm
DC Power			
+5 Volts	35ma	---	50ma
-15 Volts	35ma	---	50ma

Schematic Diagram



CONTROL 3 Line TTL, Load Factor 1, LS Series

SWITCHING CONDITIONS

LOGIC "1"=ON LOGIC "0" =OFF

Typical Performance

