

Commander Class

Class 2

UL/cUL 5085-3

Flame Retardant Material

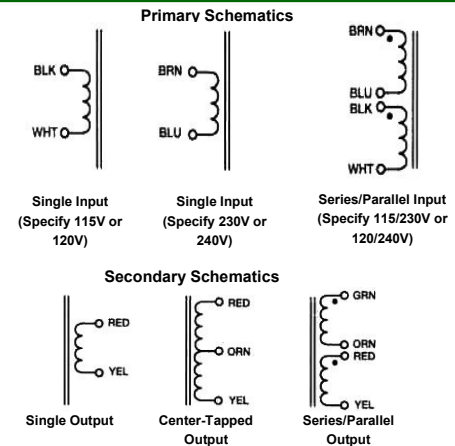
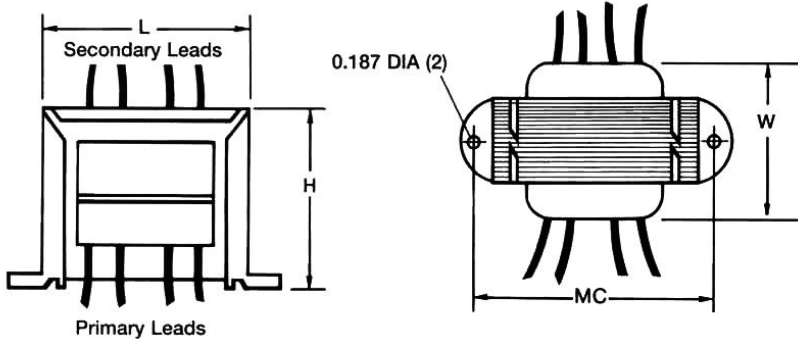
- Flame Retardant, UL 94V0 Rating
- High Efficiency
- 2.4VA Power Rating
- Single or Dual Primary, 115V, 115/230V or 230V (Optional 120, 120/240, 240V)
- 50/60Hz (Economy 60Hz-only Models Available)
- Single Secondary (Optional Dual or Center-tapped)
- Any Secondary Voltage from 5V to 20V in 1V Increments
- Insulation Material 130°C Standard (Optional 200°C)
- Optional Internal Current or Thermal Protector
- High Isolation, 2500 Vrms, 100% Tested
- Low Capacitive Coupling, no Electrostatic Shield Needed
- Color Coded Hook-up Wires



Class 2     

Agency Approvals:

- UL/cUL 5085-2 Recognized (File E47299)
- UL 1446 Recognized Insulation system (File E95662)
- UL/cUL 5085-3 Class 2 Recognized (File E43609), L002 (up to 24V)



VA Rating		Output Voltage	Dimensions (Inches)			
			L	W	H	MC
L002	2.4VA	Up to 24V only	1.45	1.40	1.19	1.75

Partial Selection Guide (Standard Stock)

Part Number			
115V Primary	115/230V Primary	230V Primary	Secondary
L002-1-710X	L002-2-710X	L002-3-710X	10V @ 250mA
L002-1-712X	L002-2-712X	L002-3-712X	12.6V @ 200mA
L002-1-716X	L002-2-716X	L002-3-716X	16V @ 150mA
L002-1-720X	L002-2-720X	L002-3-720X	20V @ 120mA
L002-1-724X	L002-2-724X	L002-3-724X	24V @ 100mA

Take advantage of these pre-designed models, or let us customize to your requirements. That's our specialty.