

PLEASE CHECK WWW.MOLEX.COM FOR LATEST PART INFORMATION

Part Number: **0191930329**
Status: **Active**
Description: VersaKrimp™ Ring Tongue Terminal for 1/0 AWG Wire

Documents:

[Drawing \(PDF\)](#) [RoHS Certificate of Compliance \(PDF\)](#)

Agency Certification

CSA LR18689
 UL E32244

General

Product Family Ring and Spade Terminals
 Series [19193](#)
 Comments Type I Noninsulated; Class 2
 Crimp Quality Equipment Yes
 Mil-Spec AS20659-152, MS20659-152
 Product Name VersaKrimp™
 Type Ring

Physical

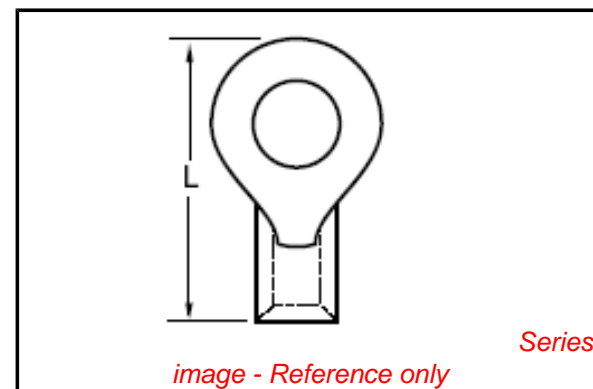
Barrel Type Closed - Brazed
 Insulation None
 Material - Plating Mating Tin
 Packaging Type Bag
 Plating min: Mating (µin) 100
 Plating min: Mating (µm) 2.5
 Plating min: Termination (µin) 100
 Plating min: Termination (µm) 2.5
 Stud Size 7/16" (M11)
 Termination Interface: Style Crimp or Compression
 Wire Size AWG 1

Material Info

Old Part Number H-380-76

Reference - Drawing Numbers

Sales Drawing SD-19193-008



EU RoHS

ELV and RoHS Compliant

REACH SVHC

Contains SVHC: No

Halogen-Free

Status

Halogen-Free

China RoHS



Need more information on product environmental compliance?

Email productcompliance@molex.com
 For a multiple part number RoHS Certificate of Compliance, [click here](#)

Please visit the [Contact Us](#) section for any non-product compliance questions.

Search Parts in this Series

[19193Series](#)

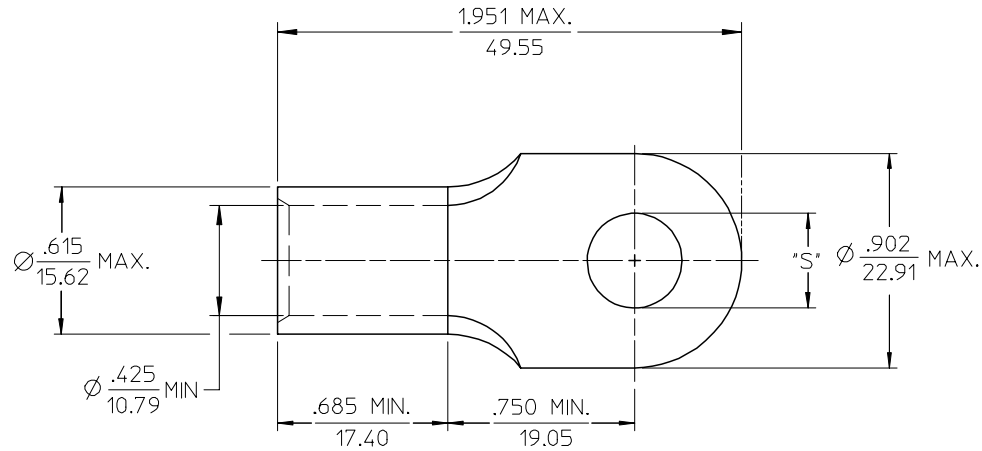
Application Tooling | [FAQ](#)

Tooling specifications and manuals are found by selecting the products below. Crimp Height Specifications are then contained in the Application Tooling Specification document.

Global

Description	Product #
Putt Pump Dieless Head System	0192860065
Manual Putt Pump Hydraulic System, Die set required	0192860117
Die Set (large) for the HHLS Hydraulic Crimper	0192900011

MATERIAL NO.	ENG. NO.	STUD SIZE	±.003 "S"	STOCK THICKNESS
191930326	H-380-14	1/4	.265	.075 (1.90)
191930328	H-380-56	5/16	.328	
191930612	H-380-38	3/8	.390	
191930329	H-380-76	7/16	.453	
191930325	H-380-12	1/2	.515	



SALES DRAWING

- NOTE(S):
1. MATERIAL: COPPER
 2. PLATING: ELECTROPLATE TIN
 3. ALL DIMENSIONS IN INCHES/(MM)
 4. WIRE SIZE: 1/0 AWG
50 MM²
 5. PART IS ROHS COMPLIANT.

REV CHART & ADDED ROHS EC NO: ETL2007-0397 DRW:HEHLE 2007/04/17 CHYD: JMACNEIL 2007/05/09 APPR: JMACNEIL 2007/05/10	QUALITY SYMBOLS	GENERAL TOLERANCES (UNLESS SPECIFIED)		DIMENSION STYLE	SCALE	DESIGN UNITS	THIRD ANGLE PROJECTION	
	▽=0	mm	INCH	IN/MM	2:1	INCH		
	▽=0	4 PLACES ± ---	± ---	DRAWN BY	DATE	TITLE		
		3 PLACES ± ---	± .005	GZ	85/04/15	RING TONGUE TERMINAL, VERSAKRIMP SERIES, 1/0 AWG		
	2 PLACES ± 0.13	± .01	CHECKED BY	DATE	MOLEX INCORPORATED			
	1 PLACE ± 0.25	± ---	GZ	85/04/15	SD-19193-008			
		ANGULAR ±1/2°	APPROVED BY	DATE	SHEET NO.			
			GZ	85/04/15	1 OF 1			
			MATERIAL NO.		DOCUMENT NO.			
			SEE CHART					
			DRAFT WHERE APPLICABLE MUST REMAIN WITHIN DIMENSIONS				THIS DRAWING CONTAINS INFORMATION THAT IS PROPRIETARY TO MOLEX INCORPORATED AND SHOULD NOT BE USED WITHOUT WRITTEN PERMISSION	