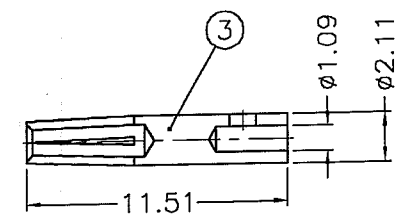
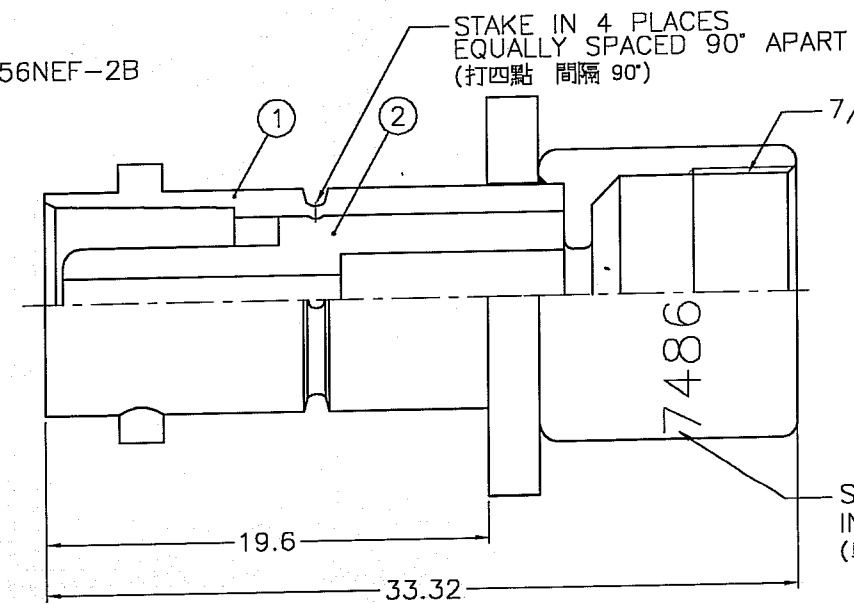
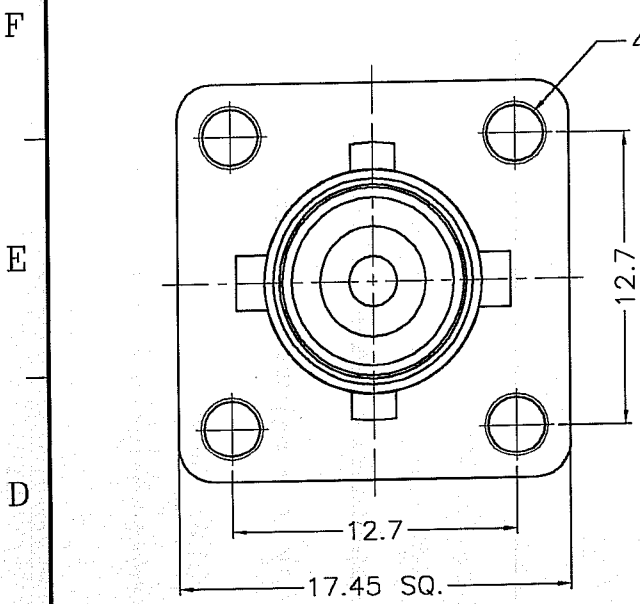
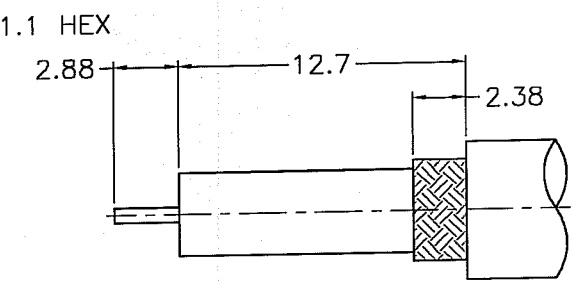
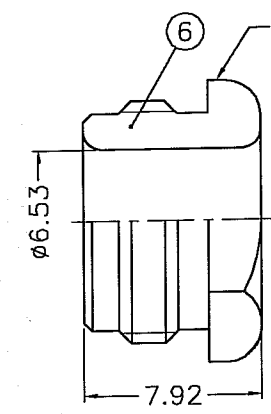
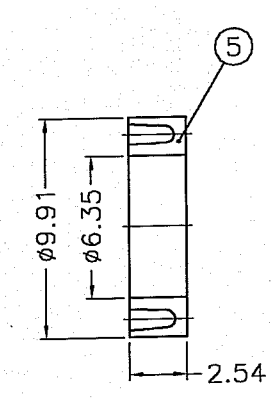
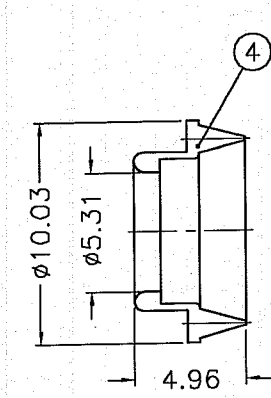


REVISIONS			
ISS	ZONE	DESCRIPTION	PER REQUEST\DATE



STAMP "74868 UG-961A/U"
IN 1.6 HIGH DEPRESSED CHARACTERS
(軋字 "74868 UG-961A/U" 字高 1.6mm)



RECOMMENDED
CABLE STRIPPING DIM'S
(建議剝線尺寸)

- NOTES: FINISH (PLATING THICKNESS IN MICRO-INCHES)
1. BRASS PER QQ-B-626
 2. BERYLLIUM COPPER PER QQ-C-530
 3. TEFLON PER MIL-P-19468
 4. NICKEL PL. 100 MIN. THICK OVER COPPER STRIKE
 5. SILVER PL. 200 MIN. THICK OVER COPPER STRIKE

DIMENSIONS ARE IN MILLIMETERS				PART NO.	
UNLESS OTHERWISE SPECIFIED TOLERANCES 0.5-6 = ±0.2 6-30 = ±0.4 30-120 = ±0.6 120-315 = ±1 315-1000 = ±1.6 1000-2000 = ±2.4				APPROVED	DATE
				CHECKED	DATE
				DRAWN	DATE
				FILE NO.	F:\DWG\CNPD\28175-A1SZ

Amphenol
Danbury, CT, USA - Tainan, Taiwan - Shenzhen, China

TITLE: MHV PANEL JACK FOR RG-59/U RG-62/U CABLE

DRAWING NO. 28175

ITEM NO. 28175

NO.	DESCRIPTION	MATERIAL	FINISH	Q'TY	DRAWING NO.
6	CLAMP NUT	NOTE 1	NOTE 4	1	31-1428-3
5	GASKET	SILICONE	RED	1	31-1051-2
4	BRAID CLAMP	NOTE 1	NOTE 4	1	82-1551-3
3	CONTACT PIN	NOTE 2	NOTE 5	1	28178
2	INSULATOR	NOTE 3	NATURAL	1	28179
1	BODY S/A	NOTE 1	NOTE 4	1	31-12460

A

A