



T78040

LINEAR INTEGRATED CIRCUIT

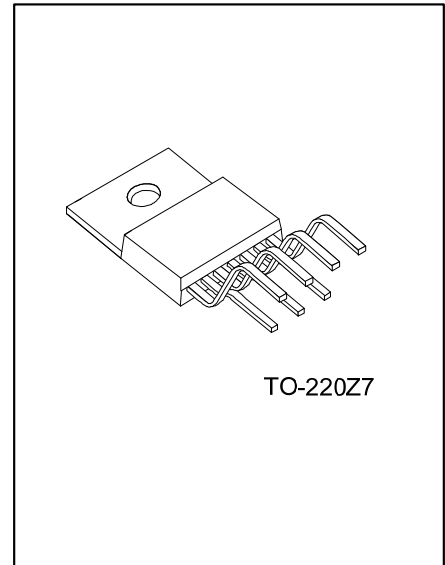
VERTICAL DEFLECTION OUTPUT CIRCUIT

DESCRIPTION

The UTC **T78040** is a monolithic integrated circuit and designed for use in high-definition TV and CRT monitors. It is intended to directly drive the deflection coil. Besides, the T78040 offers a maximum deflection current of 1.8A peak to peak to suitable for small to medium diameter CRTs.

FEATURES

- * Deflection current can be 1.8A peak value
- * Deflection voltage up to 70V
- * Flyback generator
- * Thermal protection circuit
- * Low cross-over distortion
- * Supports DC Coupling



TO-220Z7

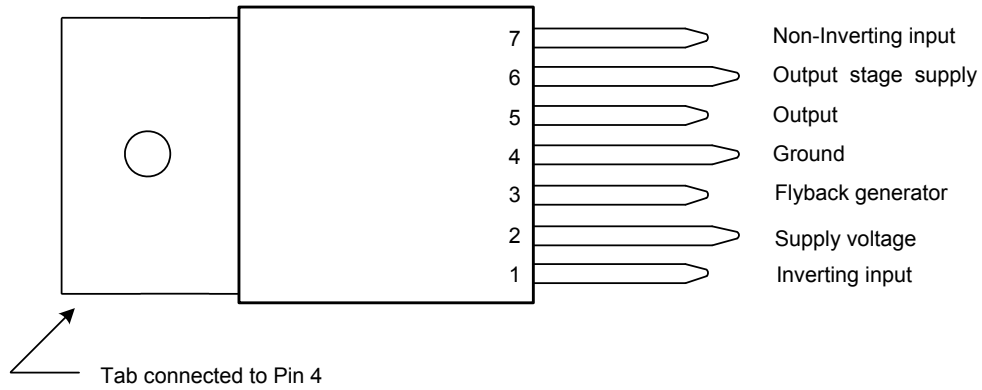
*Pb-free plating product number: T78040L

ORDERING INFORMATION

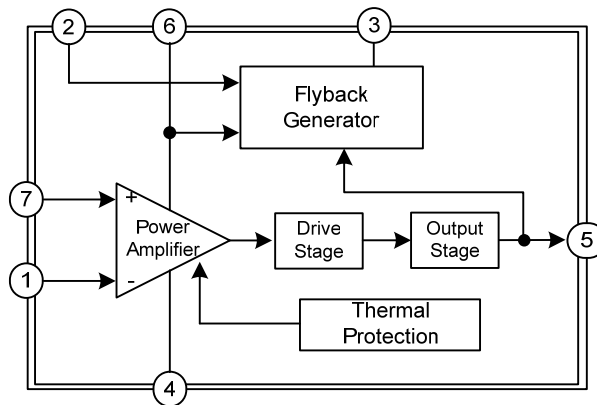
Ordering Number		Package	Packing
Normal	Lead Free Plating		
T78040-TB7-T	T78040L-TB7-T	TO-220Z7	Tube

<p>T78040L-TB7-T</p> <p>(1)Packing Type (2)Package Type (3)Lead Plating</p>	<p>(1) T: Tube (2) TB7: TO-220Z7 (3) Lead Free Plating, Blank: Pb/Sn</p>
---	--

■ PIN CONFIGURATIONS



■ BLOCK DIAGRAM



■ ABSOLUTE MAXIMUM RATINGS (Ta= 25°C)

PARAMETER	SYMBOL	RATINGS	UNIT
Supply Voltage (pin 2 to Pin4)	V _{CC2}	34	V
Output Peak Power Supply Voltage (Pin 5 to Pin 4)	V _{CC6}	70	V
Output Peak Current	I _{5MAX}	-1.5 ~ +1.5	A
Power Dissipation	P _D	9	W
Junction Temperature	T _J	150	°C
Operating Temperature	T _{OPR}	-20 ~ +85	°C
Storage Temperature	T _{STG}	-40 ~ +150	°C

Note: Absolute maximum ratings are those values beyond which the device could be permanently damaged.

Absolute maximum ratings are stress ratings only and functional device operation is not implied.

■ THERMAL DATA

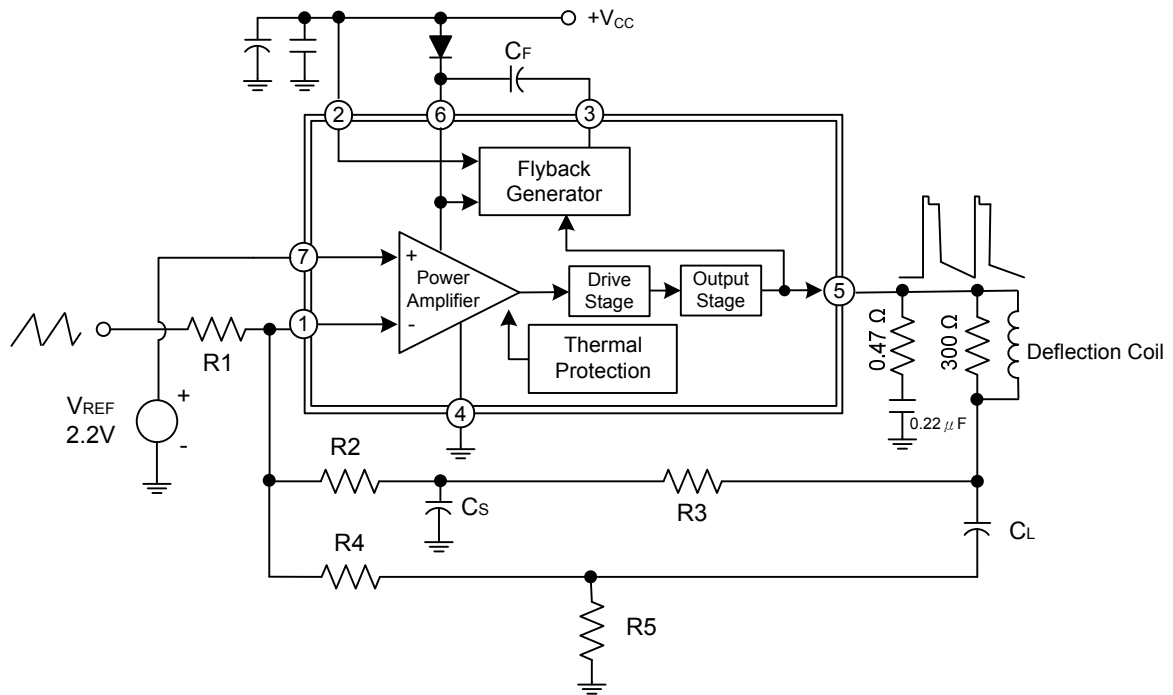
PARAMETER	SYMBOL	RATINGS	UNIT
Thermal Resistance Junction-Case	θ_{JC}	4.0	°C/W

■ ELECTRICAL CHARACTERISTICS (Ta = 25°C, V_{CC} = 24V, unless otherwise specified)

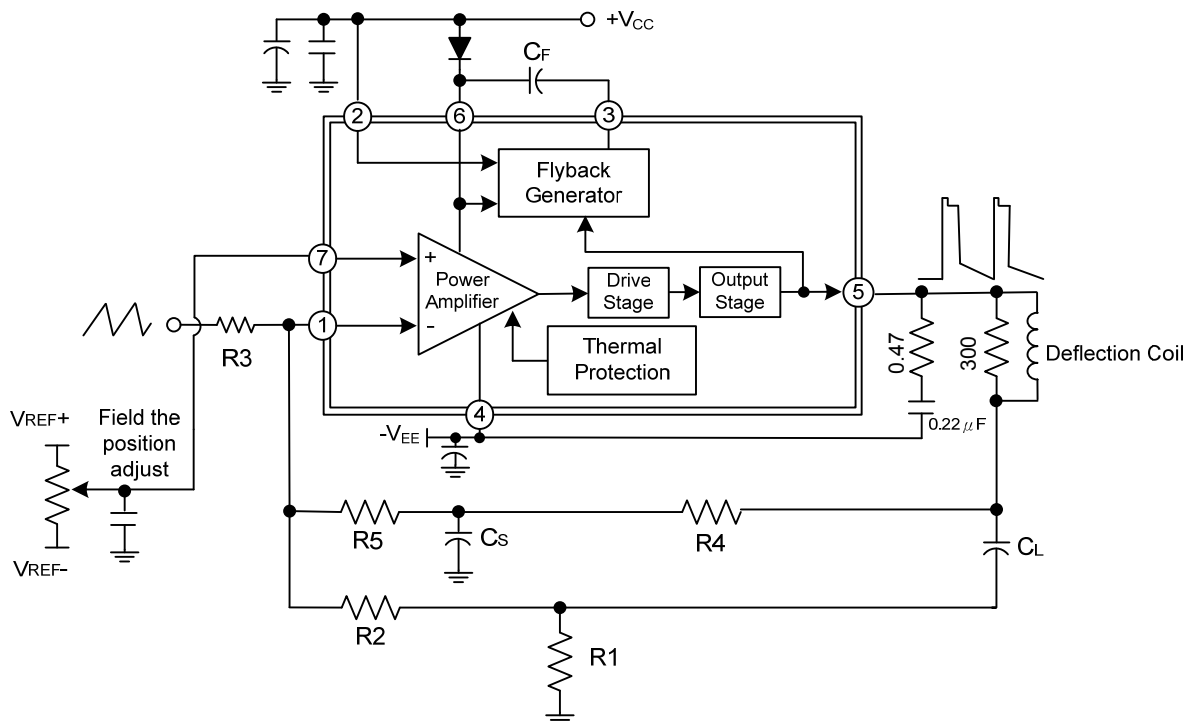
PARAMETER	SYMBOL	TEST CONDITIONS	MIN	TYP	MAX	UNIT
Supply Voltage	V _{CC}		16	24	33	V
Output Saturated Voltage to GND	V _{S5-4}	I ₅ =0.9A			1.3	V
Output Saturated Voltage to Supply	V _{S5-6}	I ₅ =-0.9A			3.2	V
Saturation Voltage on Pin 3	V _{S3-4}	I ₃ = 20mA			1.8	V
Saturation Voltage to Pin 3 (2nd part of flyback)	V _{S3-2}	I ₃ = -0.9A			3.0	V
Output Middle Point Voltage	V _{O(MID)}		11	12	13	V
Quiescent Current	I _Q		35		65	mA
Recommend Biggest Deflect Current	I _{5P-P}				1.8	A

APPLICATION CIRCUITS

For AC Coupling (Single Power Supply)



For DC Coupling (Dual Power Supply)



UTC assumes no responsibility for equipment failures that result from using products at values that exceed, even momentarily, rated values (such as maximum ratings, operating condition ranges, or other parameters) listed in products specifications of any and all UTC products described or contained herein. UTC products are not designed for use in life support appliances, devices or systems where malfunction of these products can be reasonably expected to result in personal injury. Reproduction in whole or in part is prohibited without the prior written consent of the copyright owner. The information presented in this document does not form part of any quotation or contract, is believed to be accurate and reliable and may be changed without notice.