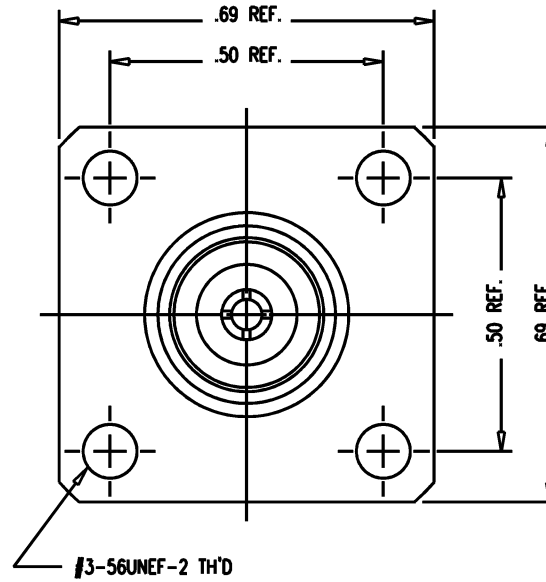
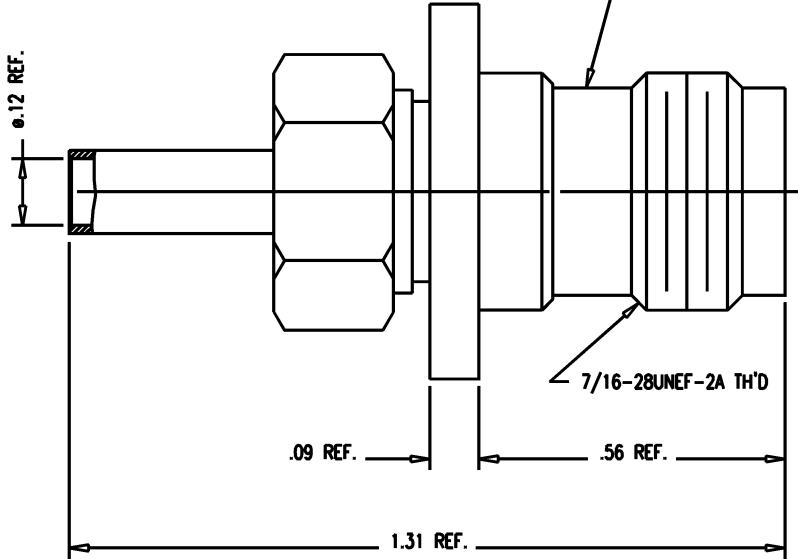


DASH NO.	M CODE	MADE FROM
----------	--------	-----------

GSD

M39012/29-0022

STAMP: 91836 M39012/29-0022
KINGS KA-19-214
YRWK (DATE CODE)



NOTES:

- FOR USE WITH M17/113-RG174 & M17/113-RG316 CABLES
- FOR CRIMPING USE CRIMP DIE KTH-2011
- FOR CABLING UNSTRUCTIONS SE CP-465
- MATERIALS:
CENTER CONTACT: BER. COP., ASTM-B-196
CRIMP SLEEVE: COMM. BRONZE, ASTM-B-135
INSULATOR: TEFLON, ASTM-D-4894
ALL OTHER METAL PARTS: BRASS, ASTM-B16
- FINISHES:
CENTER CONTACT: HARD GOLD PLATE
ALL OTHER METAL PARTS: SILVER PLATE PER QQ-S-365

REVISIONS

ISSUE	CHANGES
0	ER 23915 MA 10/27/82 RESTRICTED USAGE
1	CN 24180 A GL 01/28/83 RESTRICTION REMOVED
2	CN 24740 E GJC 06/30/83
3	CN 25106 A JEP 09/08/83
4	CN 32302 A LNM 06/20/90
5	CN 38714 C BDH 11/08/02

SCALE	4:1		
APPROX SURFACE AREA			
KA-19-214			
USED ON			
REF:			
TNC PANEL JACK			
DRAWN	MARTHA	DATE	10/29/82
DESIGN	VLS	DATE	11/02/82
APPR.		DATE	

KINGS
ELECTRONICS CO., INC.
ROCK HILL, SOUTH CAROLINA 29730

M39012/29-0022

GSD