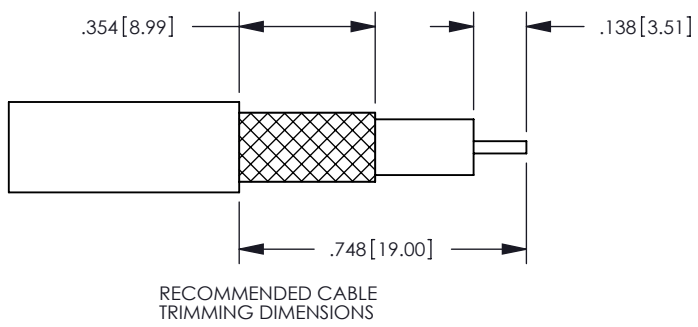
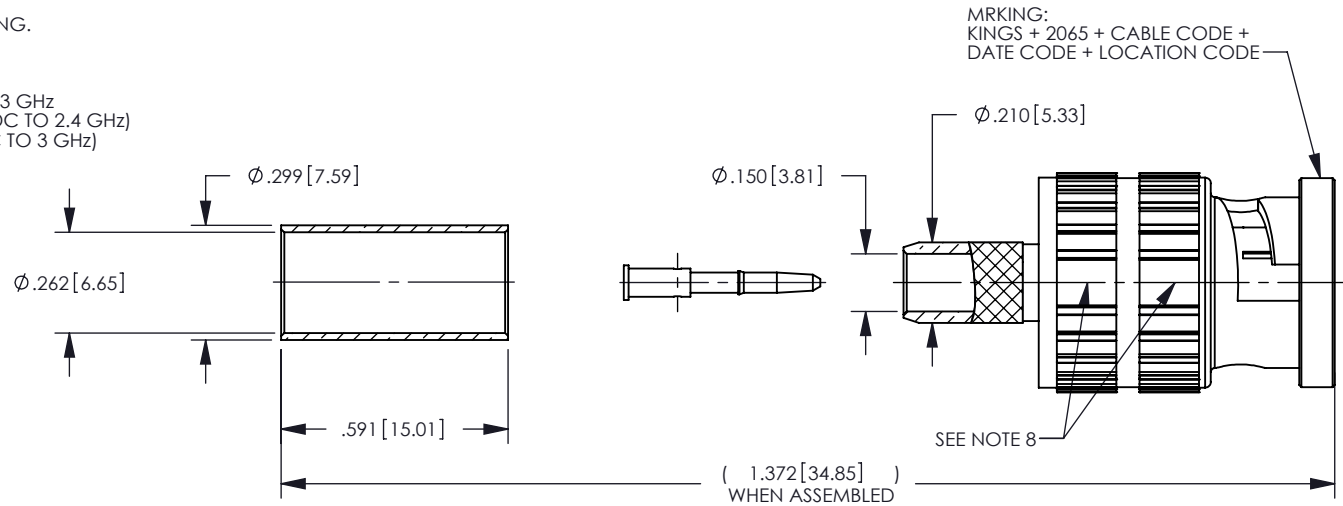


NOTES: UNLESS OTHERWISE SPECIFIED

- FOR GENERAL SERIES SPECIFICATIONS, SEE SDPRF-206.
- MATERIAL SPECIFICATIONS:
 BAYONET SLEEVE, BODY, CONTACT, FERRULE: BRASS PER ASTM B16
 INSULATOR: TEFLON PER ASTM D1710
 SPRING WASHER, OUTER CONTACT: BERYLLIUM COPPER, ASTM-B-194
 GASKET: SILICONE RUBBER
- FINISH SPECIFICATIONS:
 BAYONET SLEEVE, BODY, FERRULE: .000100MIN NICKEL PER AMS-QQ-N-290
 OVER COPPER FLASH PER ASTM B734 (ROHS)
 CONTACT: .000030 MIN. GOLD PER ASTM B488, OVER NICKEL PER
 AMS-QQ-N-290 (ROHS)
 ALL OTHER METAL PARTS: .000050 MIN NICKEL PER AMS-QQ-N290 OVER
 .000050 MIN COPPER PER ASTM B734 (ROHS)
- CONTACT AND FERRULE SHIPPED LOOSE.
- FOR USE WITH TACHII CABLE TCX-4CFB OR EQUIVALENT .
- FOR CRIMPING USE KTH-5000 AND KTH-5016 (.255 HEX, .054 SQUARE FLAT).
- ASSEMBLE TO CABLE USING CAP-E01.
- THESE AREA HAVE WHITE MARKING.
- ELECTRIC SPECIFICATIONS:
 IMPEDANCE: 75 OHMS
 FREQUENCY RANGE: DC TO 3 GHz
 RETURN LOSS: 26.5 dB MIN (DC TO 2.4 GHz)
 21 dB MIN (DC TO 3 GHz)

REV	DESCRIPTION	BY DATE	APPD
D	REVISED PER ECR-ER21004	CY 12/21/09	CFC



CATALOG P/N:2065-E00-4CF01N

PER ASME Y14.5M-1994 UNLESS OTHERWISE SPECIFIED: DIMENSIONS ARE IN INCHES [MM] TOLERANCES: DECIMAL: .XX [X.X] ± .01 [0.3] .XXX [X.XX] ± .005 [0.13] .XXXX [X.XXX] ± .XXXX ANGLES: ± 2° SCALE: 2:1		KINGS[®] by WINCHESTER ELECTRONICS Winchester Electronics Corporation 62 Barnes Industrial Road North Wallingford, Connecticut 06492	
CUSTOMER SALES DRAWING		THIRD ANGLE 	
DRAWN CY	DATE 09/23/08	APPROVED Dcam	DATE 09/26/08
APPROVED XXX	DATE XX/XX/XX	APPROVED XXX	DATE XX/XX/XX
A SD2065-E00-4CF01N		SHT 1	OF 1
		REV D	