

ADAM TECH

ADAM TECHNOLOGIES INC.

IDC SHROUDED HEADER WITH LATCHES

.100" x .100" [2.54 x 2.54]

MHF SERIES

INTRODUCTION:

Adam Tech MHF Series Male IDC connectors with latches are designed to mate with IDC socket connectors. They are used primarily for in-line cable splicing and as "T" tap from a cable bus. This series includes ejector/latches for applications with shock or vibration potential and optional mounting ears for rack or panel mounting. The male contacts are solid .025" sq. posts which are precision stamped from phosphor bronze and selectively gold plated.

FEATURES:

- Durable, shrouded .025" sq. posts
- Available in 10-64 positions
- Optional mounting ears
- Selective gold plating

MATING OPTIONS:

Mates with Adam Tech FCS Series IDC Sockets and all industry standard compatible connectors.

SPECIFICATIONS:

Material:

Insulator: Polybutylene Terephthalate (PBT), glass reinforced thermoplastic, rated UL 94V-0

Insulator color: Gray

Contacts: Phosphor Bronze

Plating:

5 μ m gold nom. (optional 30 μ m) to MIL-G-45204, Type II, Grade C on contact area over 50 μ m nickel underplate to QQ-N-290, Class 2, Grade C

Electrical:

Operation voltage: 250 VAC max

Current rating: 1 Amp max

Contact resistance: 20 m Ω max

Insulation resistance: 5000 M Ω min @ 750 VDC between adjacent contacts (75° F and 50% R.H.)

Dielectric withstanding voltage: 750 VAC min rms (sea level)

Mechanical:

Insertion force: 8 ozs. per circuit max

Withdrawal force: 1.5 ozs. per circuit min

Recommended wire size: 28 AWG stranded

Mating durability: 750 cycles min

Environmental:

Operating temperature: -65°C to +125°C

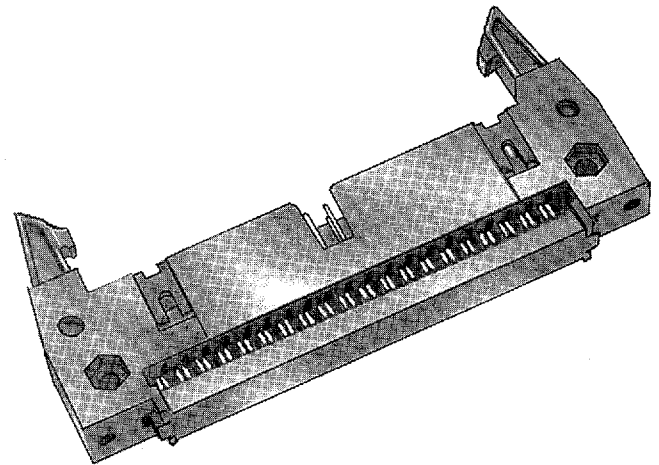
PACKAGING:

Anti-static plastic trays

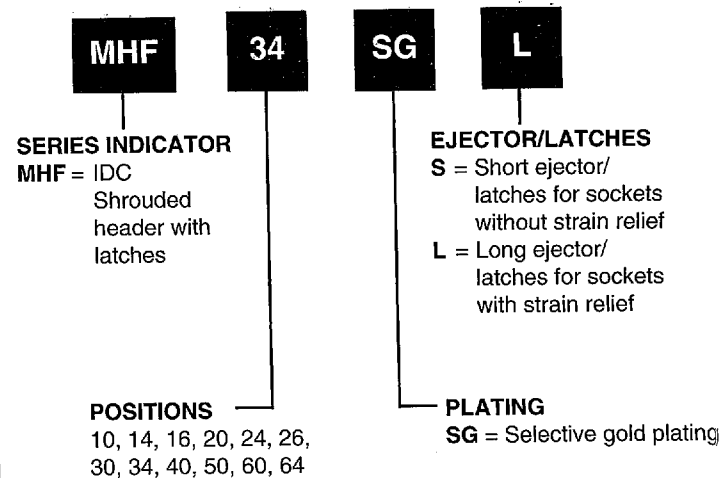
APPROVALS AND CERTIFICATIONS:

Recognized under the component program of Underwriters Laboratories, Inc. No. E167232

Certified by Canadian Standards Association No. LR75112



ORDERING INFORMATION

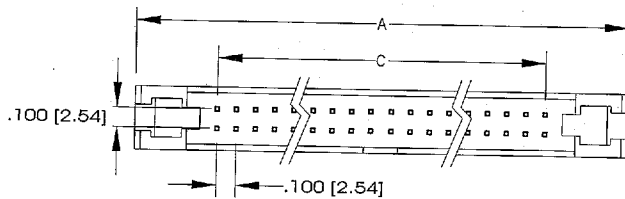
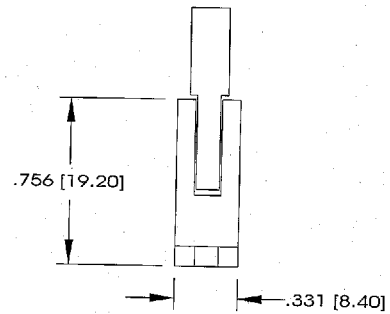
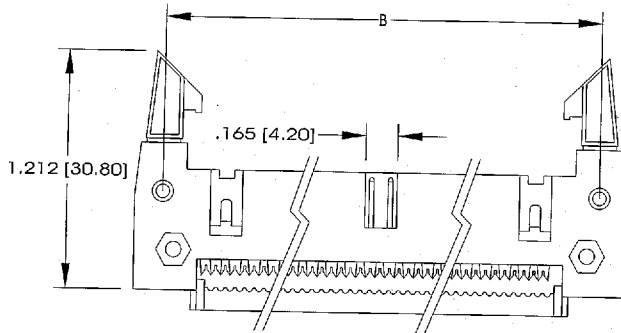


OPTIONS:

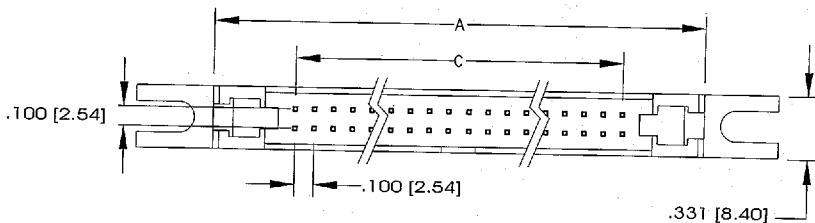
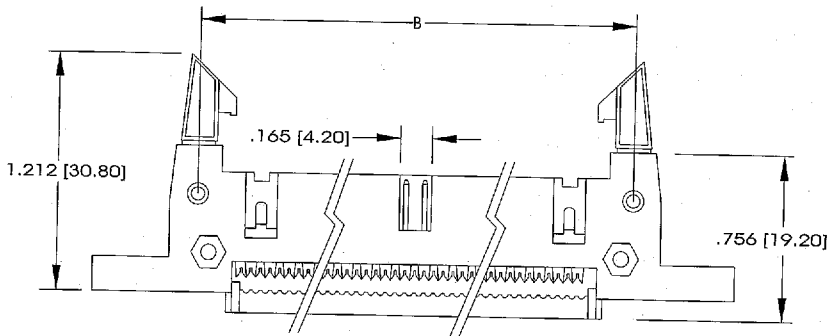
Add as suffix to basic part number

E = Mounting ears

HEADER WITHOUT MOUNTING FLANGES



HEADER WITH MOUNTING FLANGES



Unit: Inch / mm

Dimensional:			
POSITION	A	B	C
10	1.260 (32.00)	0.860 (21.84)	0.400 (10.16)
14	1.460 (37.08)	1.060 (26.92)	0.600 (15.24)
16	1.560 (39.62)	1.160 (29.46)	0.700 (17.78)
20	1.760 (44.70)	1.360 (35.54)	0.900 (22.86)
24	1.960 (49.78)	1.560 (39.62)	1.100 (27.94)
26	2.060 (52.32)	1.660 (42.16)	1.200 (30.48)
30	2.260 (57.40)	1.860 (47.24)	1.400 (35.56)
34	2.460 (62.48)	2.060 (52.32)	1.600 (40.64)
40	2.760 (70.10)	2.360 (59.94)	1.900 (48.26)
50	3.260 (82.80)	2.860 (72.64)	2.400 (60.96)
60	3.760 (95.50)	3.360 (85.34)	2.900 (73.66)
64	3.960 (100.58)	3.560 (90.42)	3.100 (78.74)