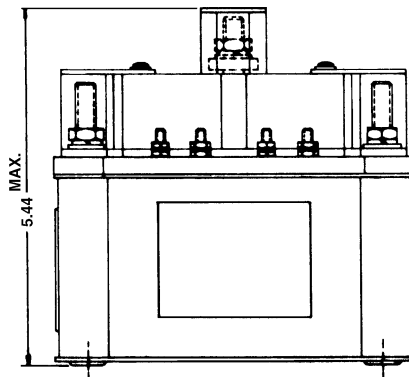
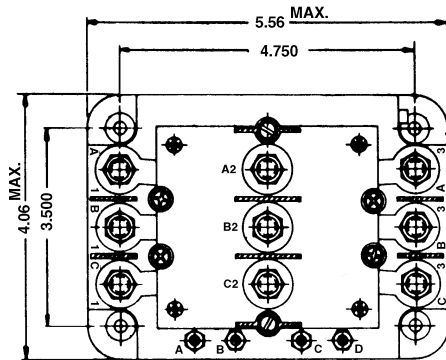


BR-393E 3PDT, Center Off, Double Break, 20 Amps, 380 VAC, 50 Hz

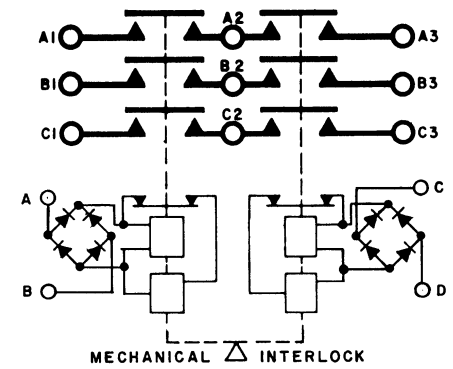
Features:

- 3PDT Center Off, Double Break Main Contacts
- Mechanically Interlocked
- AC Coil
- 380 VAC, 50 Hz
- 20 Amps
- High Reliability
- Meets many requirements of MIL-R-6106



Dimensions for this product are expressed in inches. Multiply values by 25.4 for millimeters.

CONTACTOR CONFIGURATION



Notes:

PRODUCT SPECIFICATIONS	
Construction	Gasket Sealed, Vented
Main Contacts:	
Configuration	3PDT Center Off, Double Break
Voltage (Nominal)	380 VAC, 50 Hz
Current (Resistive)	20 Amps
Coil Data:	
Duty Cycle	Continuous
Voltage (Nominal)	115 VAC, 60 Hz
Pick-Up Voltage	90 VAC Maximum
Drop-Out Voltage	10 - 40 VAC
Coil Current @ 115 VAC & +25°C	
In-Rush	0.67 Amps Maximum
Hold	0.14 Amps Maximum
Operating Temperature	-55°C to +71°C
Life:	
Electrical	30,000 Cycles
Mechanical	100,000 Cycles
Weight	4 Lbs. 8 Oz.

For factory-direct application assistance, contact the HARTMAN product team at (419) 521-9500, Fax (419) 526-2749.

© 2004 by Tyco Electronics Corporation. All Rights Reserved. HARTMAN and TYCO are trademarks.