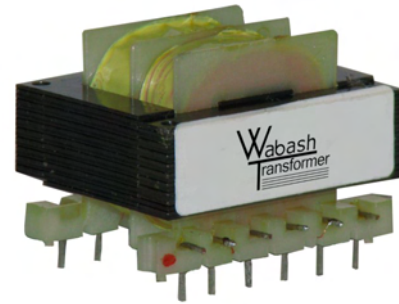


## Split Bobbin Isolation Transformer

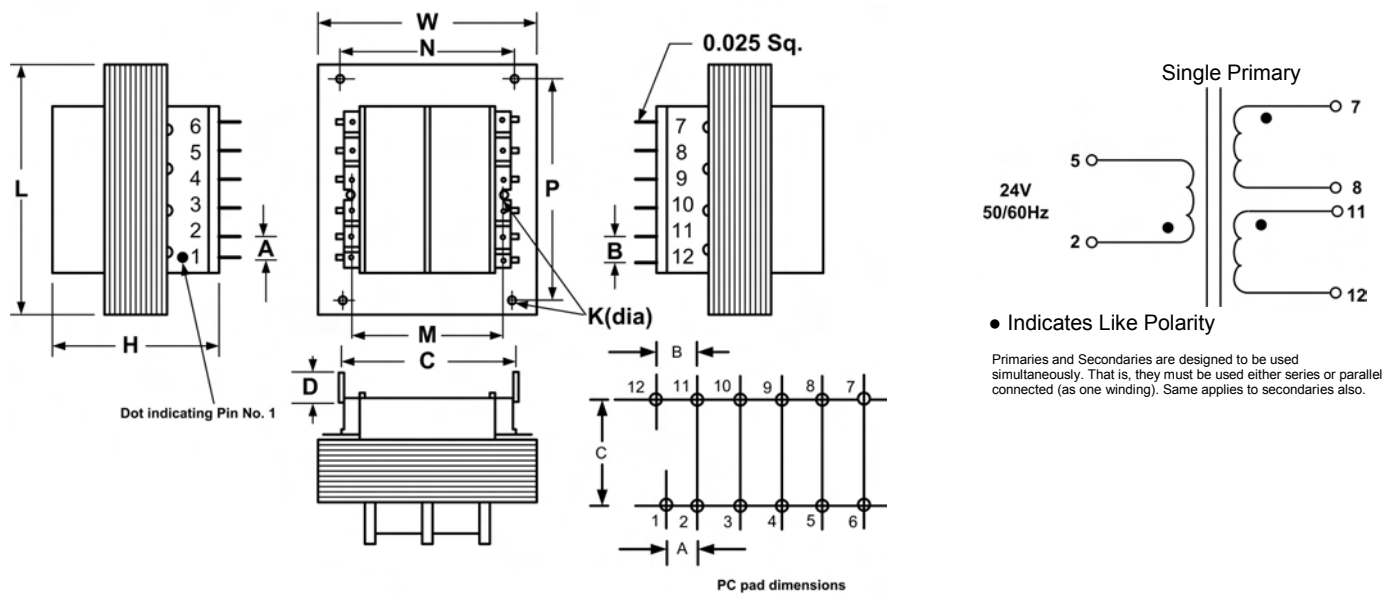
Series: P24X - Printed Circuit Mount, Horizontal 12 Pins

- Power Rating 2.4VA to 30VA
- Single Primary, 24V
- Frequency 50/60HZ
- Series or Parallel Secondary
- Dielectric Strength – 1500 Vrms
- Insulation Class B (130°C)



### Agency Approvals:

- UL/cUL 5085-2 Recognized (File E47299)
- Insulation File No. E95662



VA Rating	Part Number	Secondary		Dimensions (Inches)								Mounting Dimension				Wgt. lbs
		Series	Parallel	L	W	H	A	B	C	D	K	M	N	P		
2.4	P24X-24-24	24VCT @ 100mA	12V @ 0.200A	1.38	1.12	1.13	0.15	0.20	0.86	0.172	-	1.00	-	-	0.230	
20	P24X-20-24	24VCT @ 833mA	12V @ 1.670A	2.25	1.87	1.41	0.20	0.30	1.30	0.140	0.219 X 0.09*	1.69	1.50	1.88	0.780	
30	P24X-30-24	24VCT @ 1.250A	12V @ 2.500A	2.25	1.87	1.79	0.20	0.30	1.30	0.140	0.219 X 0.09*	1.69	1.50	1.88	1.150	

\* = Slots

Any application, Any requirement, Contact us for our Custom Designs