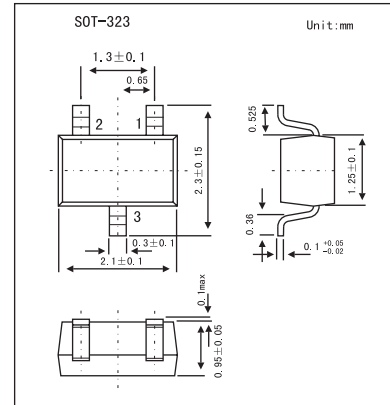
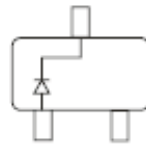


Surface Mount Fast Switching Diode Array

KAS19W - KAS21W (BAS19W - BAS21W)

■ Features

- Fast Switching Speed
- Surface Mount Package Ideally Suited for Automatic Insertion
- For General Purpose Switching Applications
- High Conductance



■ Absolute Maximum Ratings Ta = 25°C

Parameter	Symbol	KAS19W	KAS20W	KAS21W	Unit
Non-Repetitive Peak Reverse Voltage	V _{RM}	120	200	250	V
Peak Repetitive Reverse Voltage	V _{RRM}				
Working Peak Reverse Voltage	V _{RWM}	100	150	200	V
DC Blocking Voltage	V _R				
RMS Reverse Voltage	V _{R(RMS)}	71	106	140	V
Average Rectified Output Current	I _o		200		mA
Forward Continuous Current	I _{FM}		400		mA
Non-Repetitive Peak Forward Surge Current @ t = 1.0 μs	I _{FSM}		2.5		A
@ t = 1.0s			0.5		
Repetitive Peak Forward Surge Current	I _{FRM}		625		mA
Power Dissipation	P _d		200		mW
Thermal Resistance Junction to Ambient Air	R _{θJA}		625		K/W
Operating and Storage Temperature Range	T _{TSTG}		-65 to +150		°C

■ Electrical Characteristics Ta = 25°C

Parameter	Symbol	Testconditions	Min	Typ	Max	Unit
Reverse Breakdown Voltage KAS19W	V _{(BR)R}	I _R =100 μA	120			V
KAS20W			200			
KAS21W			250			
Forward Voltage	V _F	I _F = 100mA I _F = 200mA			1.0 1.25	V
Reverse Current @ Rated DC Blocking Voltage	I _R	T _j = 25°C T _j = 100°C			100 15	nA μA
Junction Capacitance	C _j	V _R = 0, f = 1.0MHz			5	pF
Reverse Recovery Time	t _{rr}	I _F = I _R = 30mA, I _{rr} = 0.1 X I _R , R _L = 100 Ω			50	ns

■ Marking

NO.	KAS19W	KAS20W	KAS21W
Marking	KA8 or KT2 or KT3	KT2 or KT3	KT3