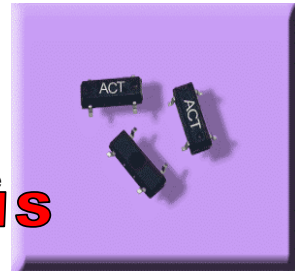


ACT132SMX

The ACT132SMX is a low height, plastic package incorporating a cylinder type crystal. It is ideally suitable for automatic insertion, especially where high density surface mounting is needed.

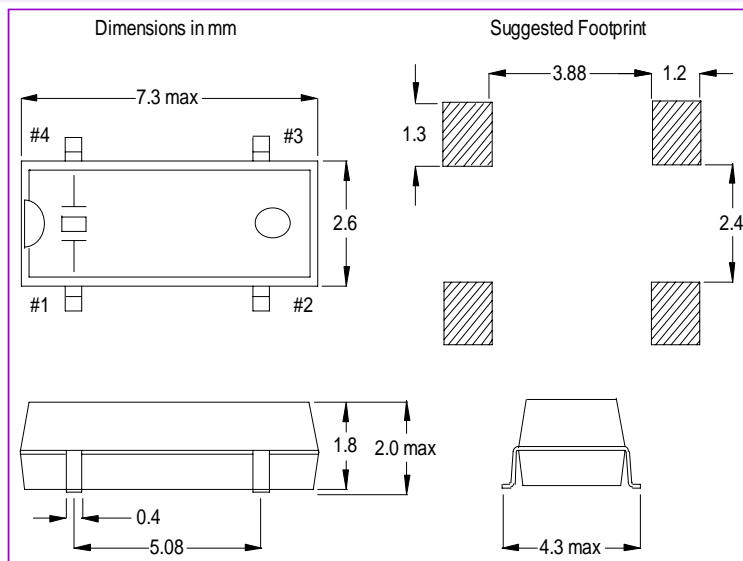
Applications include Radio Communications Equipment, Pagers, Cellular Phones, portable applications.



OBSOLETE
 PRODUCT WITHDRAWN
 SEE ACT200/201 OR ACT711S
 FOR ALTERNATIVES

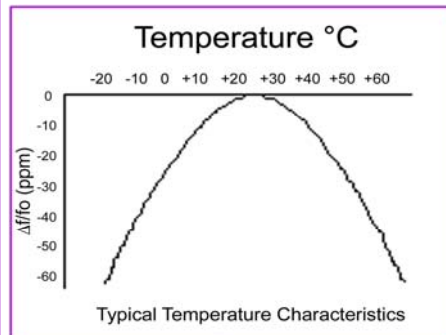
Specification

Parameter	Symbol	Specification	Condition
Frequency Range	fo	32.768KHz	
Frequency Tolerance	$\Delta f/fo$	$\pm 20, \pm 30, \pm 50, \pm 100$ ppm	Please specify
Frequency v Temperature	$\Delta f/fo$	See Drawing	
Turnover Temperature	Tp	+25°C ± 5 °C	
Temp. Coefficient	K	$-3.5 \times 10^{-8}/^{\circ}\text{C}^2$	
Temp Operating Range	Tope	-40 ~ +85°C	
Temp Storage Range	Tsto	-55 ~ +125°C	
Equivalent Series Resistance	ESR	55K Ω max	
Shunt Capacitance	C0	0.9pF typical	
Motional Capacitance	C1	2.3fF typical	
Load Capacitance	CL	12.5pF	Please refer to note 1
Maximum Drive Level	DL	1 μ W recommended	
Drive Level	DL max	0.1 μ W	
Aging	Fa	± 5 ppm max	25°C ± 3 °C, first year
Reflow Profile	Tsol	See diagram: page 4	



Note 1

A 7pF load capacitance device is available but at present this device is not RoHS compatible. The reflow profile for this device is available on request.



Lead Free-RoHS comp.

A solder containing >85% Lead as an inapplicability substance is used on an internal terminal. Exempt under the RoHS legislation (1000ppm Pb)

Pad Surface Material SnBi 0.007-0.012mm

Please note that all parameters can not necessarily be specified in the same device
 Customer to specify : Frequency, Frequency Tolerance, Operating Temperature Range, Load Capacitance

In line with our ongoing policy of product evolution and improvement, the above specification may be subject to change without notice

ISO9001:2000 Registered - Registration number 6830/2

For quotations or further information please contact us at:

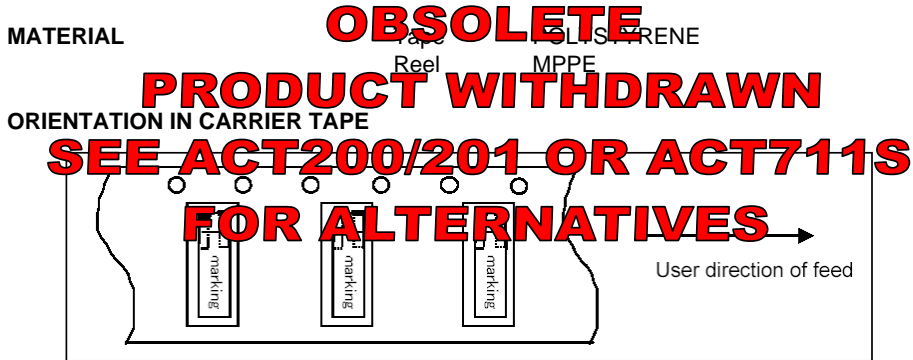
3 The Business Centre, Molly Millars Lane, Wokingham, Berkshire, RG41 2EY, UK

<http://www.actcrystals.com>

Issue : 5 A3
 Date :26/7/0

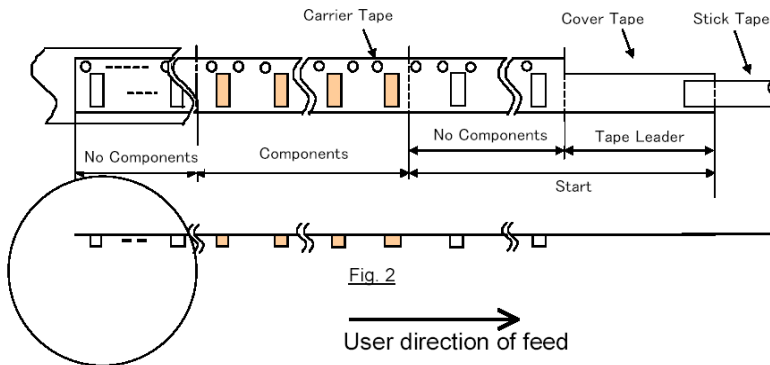
ACT132SMX TAPE AND REELING

3.000 PIECE REELS

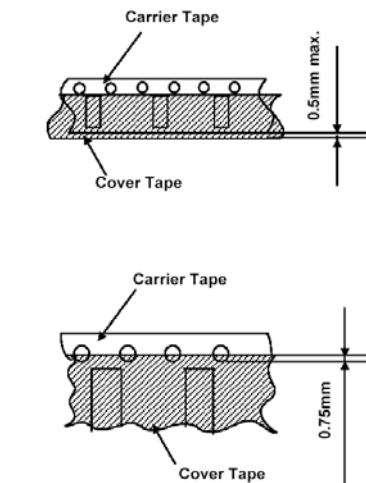


LAYOUT OF TAPE

No Components 20 Pockets Minimum
Cover Tape Leader 400mm Minimum
Start of carrier tape bent vertically and hooked into reel slot.



COVER TAPE OVERLAP



In line with our ongoing policy of product evolution and improvement, the above specification may be subject to change without notice
ISO9001:2000 Registered - Registration number 6830/2

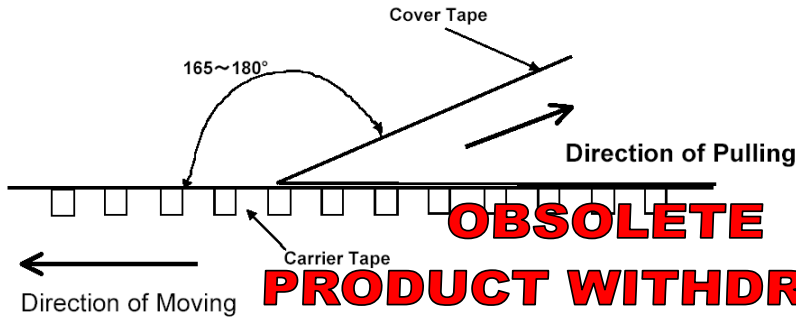
For quotations or further information please contact us at:
3 The Business Centre, Molly Millars Lane, Wokingham, Berkshire, RG41 2EY, UK
<http://www.actcrystals.com>

Issue : 5 A3
Date : 26/7/0

ACT132SMX TAPE & REELING SPECIFICATION cont'd

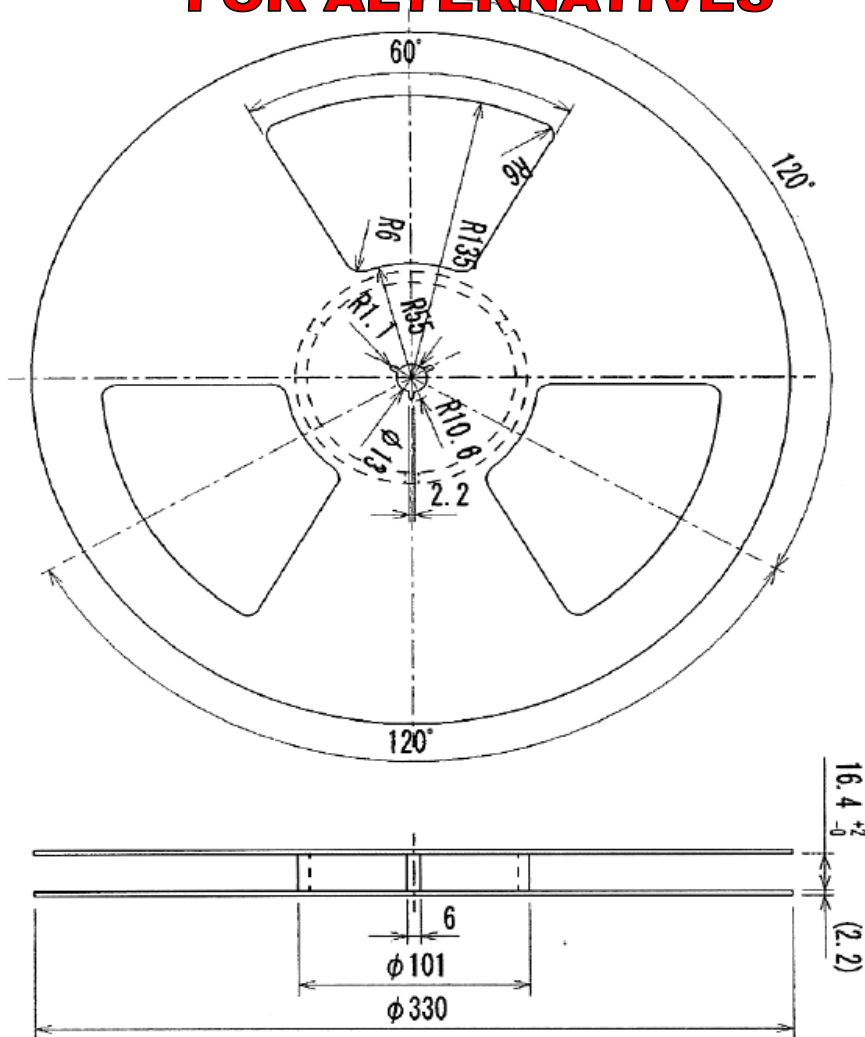
PEEL STRENGTH

Using method below the force to start the tape peeling with a pull speed of 300±10 mm/min shall be 0.1~1.3N.



**OBSOLETE
PRODUCT WITHDRAWN
SEE ACT200/201 OR ACT711S
FOR ALTERNATIVES**

REEL DIMENSIONS



In line with our ongoing policy of product evolution and improvement, the above specification may be subject to change without notice

ISO9001:2000 Registered - Registration number 6830/2

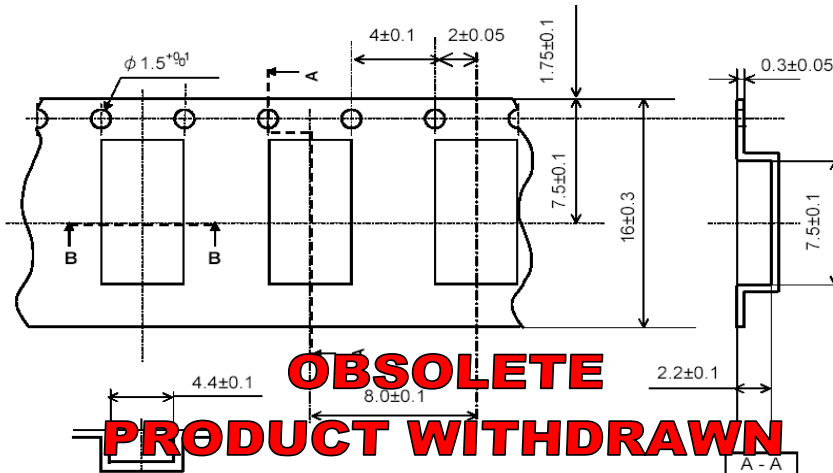
For quotations or further information please contact us at:
3 The Business Centre, Molly Millars Lane, Wokingham, Berkshire, RG41 2EY, UK

<http://www.actcrystals.com>

Issue : 5 A3
Date :26/7/0

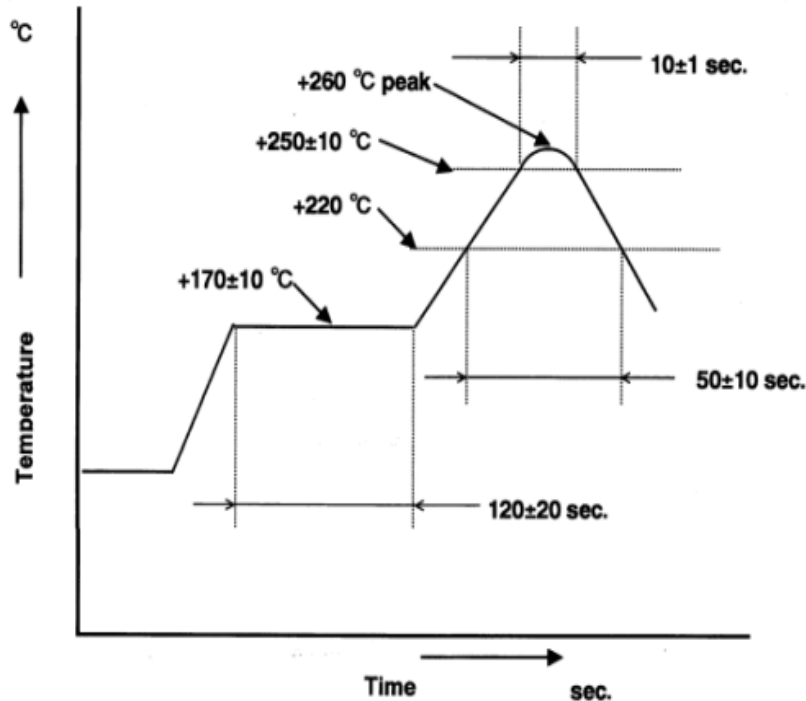
ACT132SMX TAPE & REELING SPECIFICATION cont'd

CARRIER TAPE DIMENSIONS (mm)



OBSOLETE
PRODUCT WITHDRAWN
SEE ACT200/201 OR ACT711S
FOR ALTERNATIVES

ACT132SMX REFLOW SOLDERING PROFILE



In line with our ongoing policy of product evolution and improvement, the above specification may be subject to change without notice

ISO9001:2000 Registered - Registration number 6830/2

For quotations or further information please contact us at:

3 The Business Centre, Molly Millars Lane, Wokingham, Berkshire, RG41 2EY, UK

<http://www.actcrystals.com>

Issue : 5 A3
 Date :26/7/0