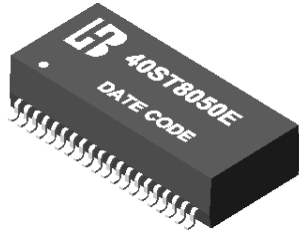




P/N: 40ST8050E DATA SHEET

Feature



- Family of parts-common footprint and pinout with a choice of filtering for customized EMI performance.
- Space-efficient-12 ports across 3.6 inches for optimal PCB layout.
- Operating temperature range : 0°C to +70°C .
- Storage temperature range: -25°C to +125°C .

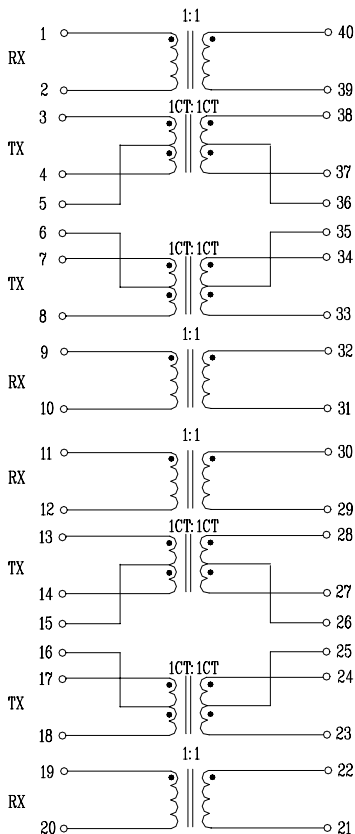
Electrical Specifications @ 25°C

Part Number	Turns Ratio (±2%)		OCL(μH Min) Sine Wave Inductance @100KHz/20mV	L.L (μH Max) @100KHz/20mV	Cw/w (pF Max) @100KHz/20mV	Cross Talk (dB Min) 1-10MHz	HI-POT (Vrms)
	TX	RX					
40ST8050E	1CT:1CT	1:1	150	0.3	10	-35	1500

Continue

Part Number	Insertion Loss (dB Max) 1-10MHz	Return Loss(dB Min) @ 5-10MHz		CMR (dB Min) TX				
		100Ω	98±13Ω	5 MHz	10 MHz	50 MHz	100 MHz	200 MHz
40ST8050E	-0.5	-20	-15	-60	-50	-34	-25	-18

Schematic



Mechanical

