



SANYO Semiconductors

DATA SHEET

LA6324NJM

Monolithic Linear IC — High-Performance Quad Operational Amplifier

Overview

The LA6324NJM is a high-performance quad operational amplifier that can operate from a single voltage power supply. It features a built-in phase correction circuit. It can also operate from a dual power supply with both positive and negative levels and features low power consumption. The LA6324NJM is a wide operating temperature range ($T_{opr} = -40$ to 85°C) allows the device to be used for a wide variety of applications in consumer products as well as industrial equipment, including automotive applications (excluding critical safety components).

Functions

- High-performance quad operational amplifier

Specifications

Maximum Ratings at $T_a = 25^{\circ}\text{C}$

Parameter	Symbol	Conditions	Ratings	Unit
Maximum supply voltage	$V_{CC\ max}$		32	V
Differential input voltage	V_{ID}		32	V
Maximum input voltage	$V_{IN\ max}$		-0.3 to +32	V
Output short time *1	VO_{shT}		Infinity	sec
Allowable power dissipation	$Pd\ max$	$T_a \leq 25^{\circ}\text{C}$ *2	330	mW
Operating temperature	T_{opr}		-40 to +85	$^{\circ}\text{C}$
Storage temperature	T_{stg}		-55 to +150	$^{\circ}\text{C}$

*1: 15V or less, only by one arbitrary channel. Moreover, the LA6324NJM must be used under the conditions that its maximum power dissipation ($Pd\ max$) is not exceeded and the following derating factor is observed.

*2: At $T_a > 25^{\circ}\text{C}$, a derating factor of $-2.64\text{mW}/^{\circ}\text{C}$.

Recommended Operating Conditions at $T_a = 25^{\circ}\text{C}$

Parameter	Symbol	Conditions	Ratings			Unit
			min	typ	max	
Supply voltage	V_{CC}		3		24	V

■ Any and all SANYO Semiconductor products described or contained herein do not have specifications that can handle applications that require extremely high levels of reliability, such as life-support systems, aircraft's control systems, or other applications whose failure can be reasonably expected to result in serious physical and/or material damage. Consult with your SANYO Semiconductor representative nearest you before using any SANYO Semiconductor products described or contained herein in such applications.

■ SANYO Semiconductor assumes no responsibility for equipment failures that result from using products at values that exceed, even momentarily, rated values (such as maximum ratings, operating condition ranges, or other parameters) listed in products specifications of any and all SANYO Semiconductor products described or contained herein.

SANYO Semiconductor Co., Ltd.

TOKYO OFFICE Tokyo Bldg., 1-10, 1 Chome, Ueno, Taito-ku, TOKYO, 110-8534 JAPAN

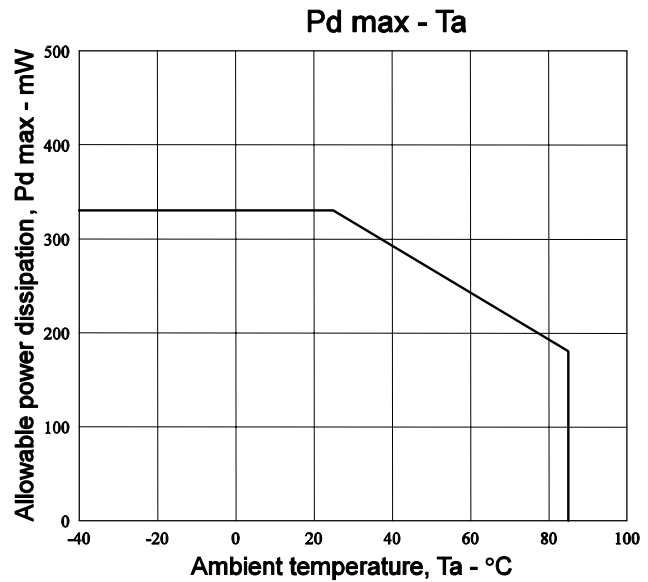
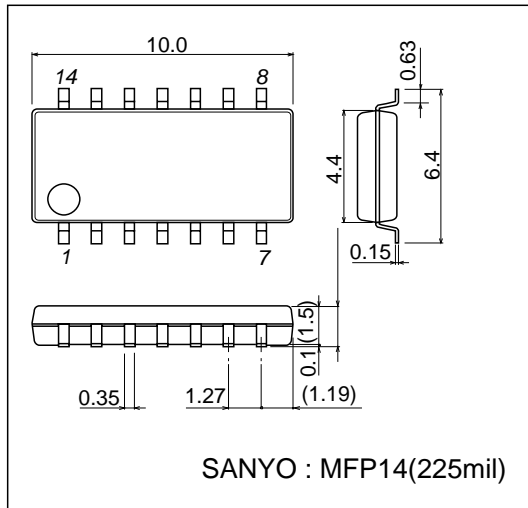
LA6324NJM

Electrical Characteristics at $T_a = 25^\circ\text{C}$, $V_{CC} = 5\text{V}$

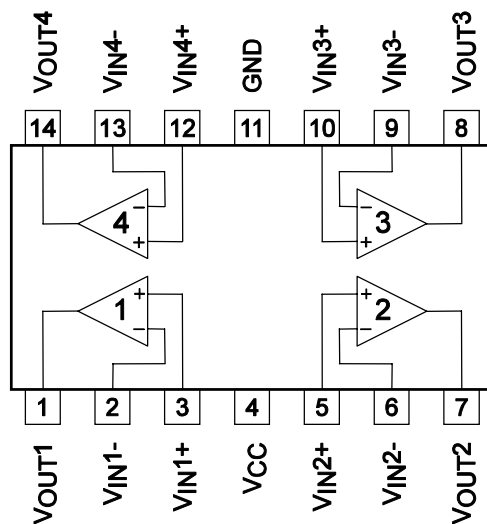
Parameter	Symbol	Conditions	Test Circuit	Ratings			Unit
				min	typ	max	
Input offset voltage	V_{IO}		1		± 2	± 7	mV
Input offset current	I_{IO}	$I_{IN(+)} / I_{IN(-)}$	2		± 5	± 50	nA
Input bias current	I_B	$I_{IN(+)} / I_{IN(-)}$	3,4		45	250	nA
Common-mode input voltage range	VICM		5	0		$V_{CC} - 1.5$	V
Common-mode rejection ratio	CMR	$V_{CC} = 30\text{V}$	5	65	80		dB
Large-amplitude voltage gain	VG	$V_{CC} = 15\text{V}$, $R_L \geq 2\text{k}\Omega$	6	25	100		V/mV
Output voltage range	V_{OUT}			0		$V_{CC} - 1.5$	V
Supply voltage rejection ratio	SVR		11	65	100		dB
Channel separation	CS	$f = 1\text{ k to } 20\text{ kHz}$	7		120		dB
Current drain	I_{CC}		8		0.6	2	mA
		$V_{CC} = 30\text{V}$			1.5	3	mA
Output current (source)	$I_{O \text{ source}}$	$V_{IN+} = 1\text{V}$, $V_{IN-} = 0\text{V}$	9	20	40		mA
Output current (sink)	$I_{O \text{ sink}}$	$V_{IN+} = 0\text{V}$, $V_{IN-} = 1\text{V}$	10	10	20		mA

Package Dimensions

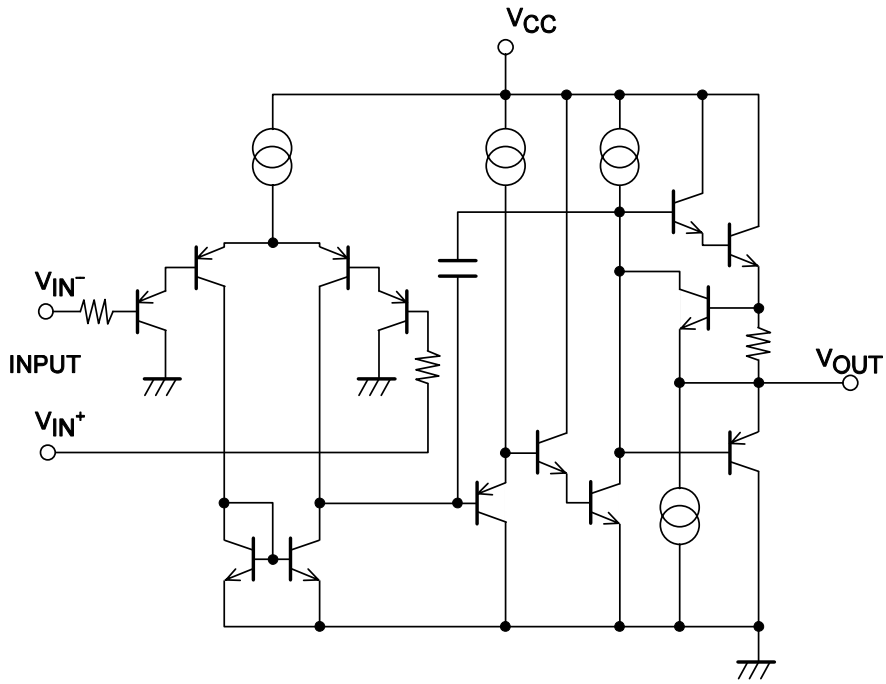
unit : mm
3034B



Pin Assignment



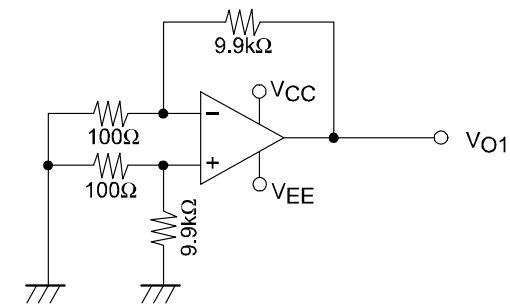
Equivalent Circuit



ILA01065

Test Circuits

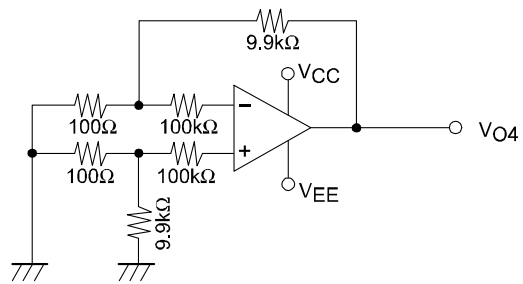
1. Input offset voltage V_{IO}



$V_{CC} / V_{EE} = \pm 15V$
 $V_{IO} = V_{O1} / 100$

OMP05202

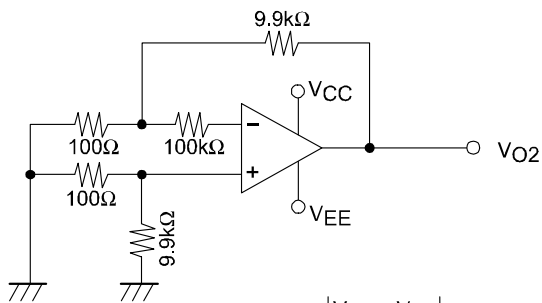
2. Input offset current I_{IO}



$$I_{IO} = \frac{|V_{O4} - V_{O1}|}{100k\Omega \times 100}$$

OMP05203

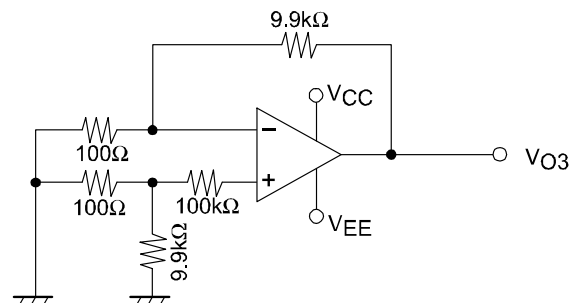
3. Input bias current $I_B (-)$



$$I_B(-) = \frac{|V_{O2} - V_{O1}|}{100k\Omega \times 100}$$

OMP05204

4. Input bias current $I_B (+)$

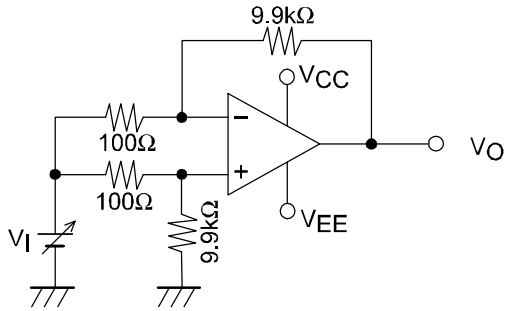


$$I_B(+) = \frac{|V_{O3} - V_{O1}|}{100k\Omega \times 100}$$

OMP05205

LA6324NJM

5. Common-mode rejection ratio CMR
Common-mode input voltage range VICN

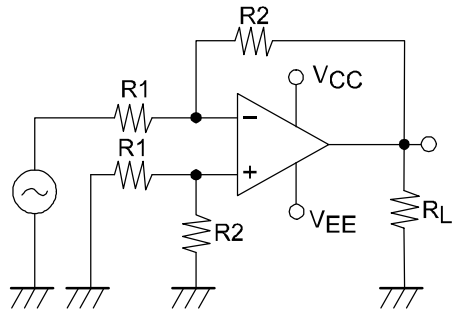


$$\text{CMR } V_I = \pm 7.5\text{V}$$

$$\text{CMR} = 20 \log \frac{15 \times 100}{|\Delta V_O|}$$

OMP05206

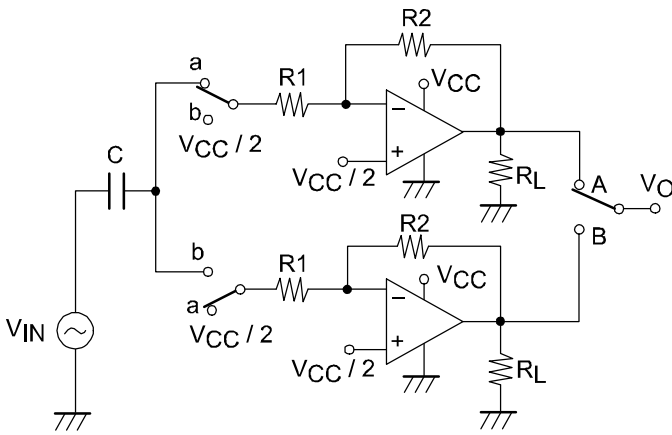
6. Voltage gain V_G



$$V_G = \frac{R_2}{R_1}$$

OMP05207

7. Channel separation CH sep



When the switch is in the "a" position

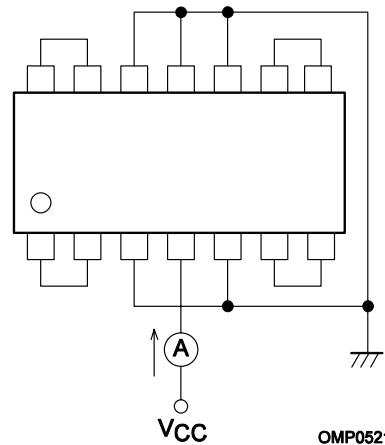
$$\text{CS}(A \rightarrow B) = 20 \log \frac{R_2 V_{OA}}{R_1 V_{OB}}$$

When the switch is in the "b" position

$$\text{CS}(B \rightarrow A) = 20 \log \frac{R_2 V_{OB}}{R_1 V_{OA}}$$

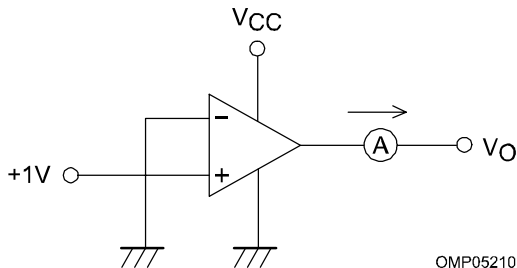
OMP05208

8. Current drain I_{CC}



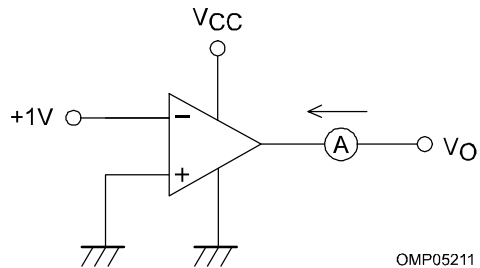
OMP05212

9. Output current I_O source



OMP05210

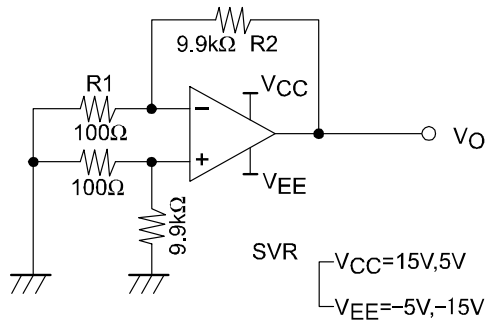
10. Output current I_O sink



OMP05211

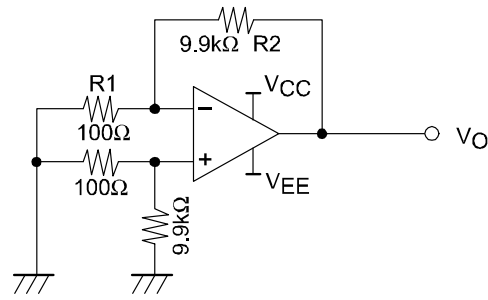
LA6324NJM

11. Supply voltage rejection ratio SVR (+)



$$SVR(+)=20\log \left| \frac{\Delta V_{CC} \times 100}{\Delta V_O} \right|$$

12. Supply voltage rejection ratio SVR (-)



$$SVR(-)=20\log \left| \frac{\Delta V_{EE} \times 100}{\Delta V_O} \right|$$

OMP05213

- Specifications of any and all SANYO Semiconductor products described or contained herein stipulate the performance, characteristics, and functions of the described products in the independent state, and are not guarantees of the performance, characteristics, and functions of the described products as mounted in the customer's products or equipment. To verify symptoms and states that cannot be evaluated in an independent device, the customer should always evaluate and test devices mounted in the customer's products or equipment.
- SANYO Semiconductor Co., Ltd. strives to supply high-quality high-reliability products. However, any and all semiconductor products fail with some probability. It is possible that these probabilistic failures could give rise to accidents or events that could endanger human lives, that could give rise to smoke or fire, or that could cause damage to other property. When designing equipment, adopt safety measures so that these kinds of accidents or events cannot occur. Such measures include but are not limited to protective circuits and error prevention circuits for safe design, redundant design, and structural design.
- In the event that any or all SANYO Semiconductor products (including technical data, services) described or contained herein are controlled under any of applicable local export control laws and regulations, such products must not be exported without obtaining the export license from the authorities concerned in accordance with the above law.
- No part of this publication may be reproduced or transmitted in any form or by any means, electronic or mechanical, including photocopying and recording, or any information storage or retrieval system, or otherwise, without the prior written permission of SANYO Semiconductor Co., Ltd.
- Any and all information described or contained herein are subject to change without notice due to product/technology improvement, etc. When designing equipment, refer to the "Delivery Specification" for the SANYO Semiconductor product that you intend to use.
- Information (including circuit diagrams and circuit parameters) herein is for example only; it is not guaranteed for volume production. SANYO Semiconductor believes information herein is accurate and reliable, but no guarantees are made or implied regarding its use or any infringements of intellectual property rights or other rights of third parties.

This catalog provides information as of January, 2006. Specifications and information herein are subject to change without notice.