

FC SERIES PT TYPE DISTRIBUTOR (24mm width)

DATA SHEET

PTM

The FC series PT type distributor converts a current signal (4 to 20mA DC) from transmitter into a voltage signal (1 to 5V DC) and distributes the voltage signal to each receiver. In addition, this distributor is provided with built-in transmitter power supply.

Its structure is plug-in style.



SPECIFICATIONS

INPUT SPECIFICATION

Input signal: 1 point

Input type	Current
Input signal	4 to 20mA DC
Input resistance	250Ω

OUTPUT SPECIFICATION

Output signal: 1 point

Output type	Voltage
Output signal	1 to 5V DC
Allowable load resistance	500kΩ or over (reception, non-insulation) 15kΩ or over (with output buffer)

POWER SUPPLY

Power supply: 24V DC (20 to 30V DC)
24V AC, +13%, -10%, (47 to 63Hz)
as specified.

Power consumption:
Approx. 2W

OPERATION CONDITION

Ambient temperature:
0 to 50°C

Ambient humidity: Less than 90%RH (no condensation)

Outline dimension (HxWxD):
96 x 26 x 130mm

Mass: Appox. 200g

Housing: Plastic housing (color: black)

Mounting method:
Panel mounting or DIN rail mounting

CHARACTERISTICS

Accuracy: Less than ±0.1% of full span

Response time: Less than 0.1 sec. (90% response)

Dielectric strength:
1500V AC, 1 min.

Reception only: Input • Output - Ground

Non-insulation type: Input • Output • Power- Ground

Non-insulation with buffer: Input • Output • Power- Ground

Power insulation with buffer:

Input • Output - Power- Ground

Power I/O insulation with buffer:

Input - Output - Power- Ground

Insulation resistance:

500V DC, 100MΩ or over

Reception specified: Input • Output - Ground

Non-insulation type: Input • Output • Power- Ground

Non-insulation with buffer: Input • Output • Power- Ground

Power insulation with buffer:

Input • Output - Power- Ground

Power I/O insulation with buffer:

Input - Output - Power- Ground

Ambient temperature effect:

Less than ±0.15% of full span / 10°C

Power regulation effect:

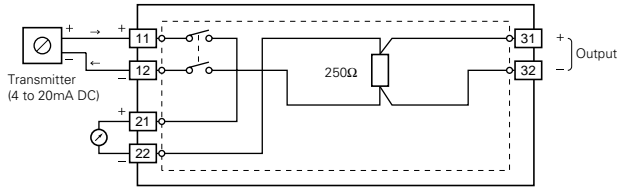
Less than ±0.1% of full span

CODE SYMBOLS

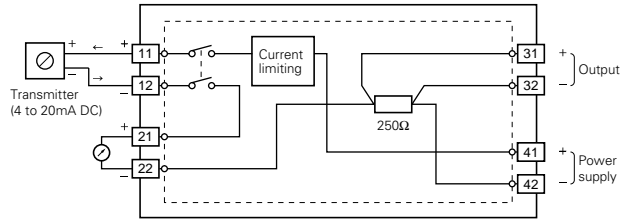
1	2	3	4	5	6	7	8	Description	
P	T	M	2	V			1	Input signal	
								4 to 20mA DC	
								Output signal	
								1 to 5V DC	
								Output system	Power supply
							A 0	Reception only	None
							B 1	Non-insulation type	24V DC
							C 1	Non-insulation with buffer	24V DC
							D 1	Power insulation with buffer	24V DC/ 24V AC (50/60Hz)
							E 1	Power I/O insulation with buffer	24V DC/ 24V AC (50/60Hz)

FUNCTIONAL DIAGRAM

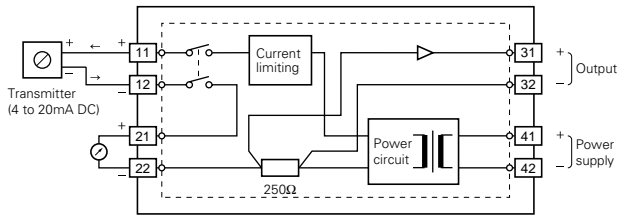
1. Reception only type



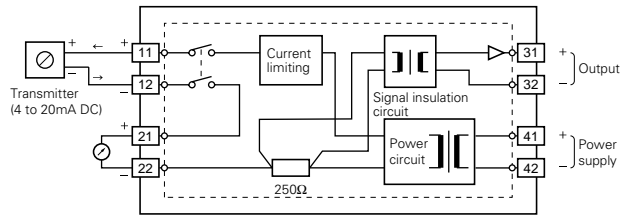
2. Non-insulation type



3. Power insulation type with buffer

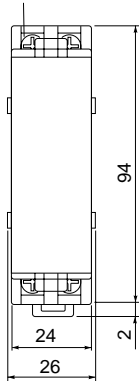


4. Power input/output insulation type with buffer

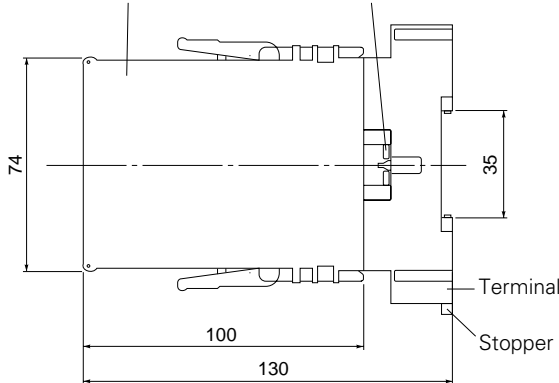


OUTLINE DIAGRAM (Unit: mm)

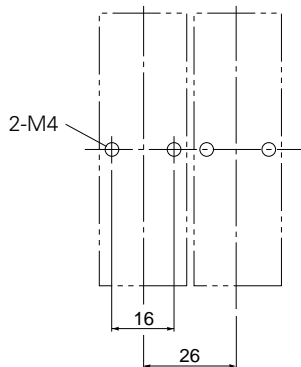
Terminal screw M4



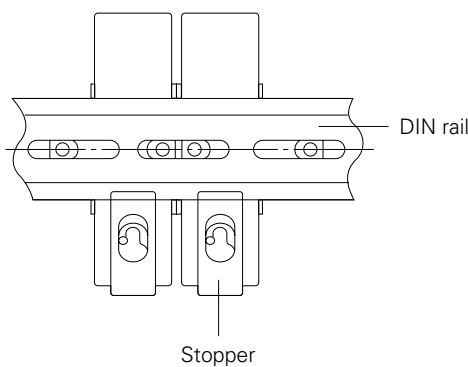
Main unit



Panel mounting

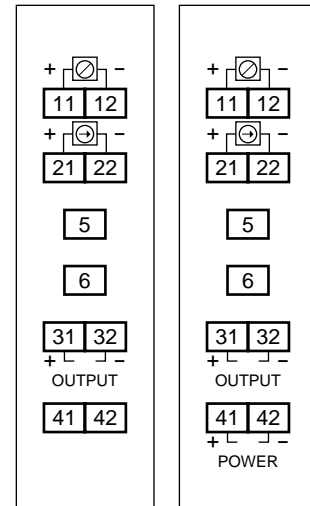


DIN rail mounting



EXTERNAL CONNECTION DIAGRAM

Reception only type General



RANGE OF DELIVERY

Main unit and socket

⚠ Caution on Safety

*Before using this product, be sure to read its instruction manual in advance.

Fuji Electric Systems Co., Ltd.

Head Office

Gate City Ohsaki, East Tower, 11-2, Osaki 1-chome, Shinagawa-ku, Tokyo 141-0032, Japan
<http://www.fesys.co.jp/eng>

Instrumentation Div.

International Sales Dept.

No.1, Fuji-machi, Hino-city, Tokyo, 191-8502 Japan
 Phone: 81-42-585-6201, 6202 Fax: 81-42-585-6187
<http://www.fic-net.jp/eng>