

AD8476 Differential Amplifier Evaluation Board for 8-Lead MSOP Package

FEATURES

- Enables quick evaluation of **AD8476**
- Enables quick breadboarding/prototyping
- Allows for various circuit configurations
- Through-hole connector provisions
- Easy connection to test equipment and other circuits
- RoHS compliant

GENERAL DESCRIPTION

The **AD8476-EVALZ** makes it easy for designers to obtain quick performance results for their particular application circuit using the **AD8476** low power, fully-differential $G = 1$ amplifier.

The board layout is flexible enough to allow for different circuit configurations, including options for single-ended or differential inputs, and space for output loading and filtering. Most resistors and capacitors use 0603 packages.

The 4-layer evaluation board accepts through-hole SMA or SMB connectors on inputs, outputs, and VO_{CM}, which allows an efficient and quick connection to test equipment or other circuitry. There is also room for 2-pin BERG headers at the inputs and outputs for connection to differential probes, and test points at supply and ground pins. The board ground plane, component placement, and power supply bypassing have been optimized for maximum circuit flexibility and performance.

Figure 1 and Figure 2 show the component side and circuit side of the evaluation board. Figure 3 shows the evaluation board schematic.

Figure 4 shows the evaluation board assembly drawing. The metal layout pattern for connecting the board to the op amp and to the supporting circuitry is shown in Figure 5 and Figure 6.

The board accommodates the **AD8476** differential amplifier in an 8-lead MSOP. The **AD8476** data sheet for this device should be consulted in conjunction with this evaluation board user guide.

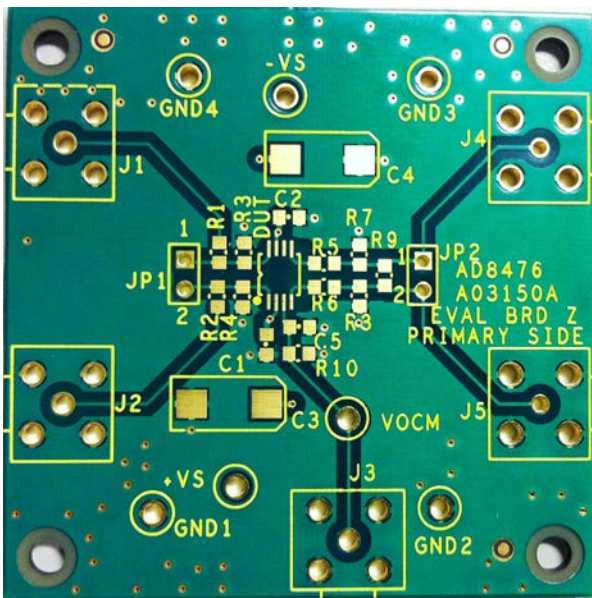


Figure 1. Component Side (MSOP)



Figure 2. Circuit Side (MSOP)

TABLE OF CONTENTS

Features	1	VOCM Input.....	4
General Description	1	SMB Input/Output Connectors.....	4
Revision History	2	Evaluation Board Layout	5
AD8476 Evaluation Board Schematic.....	3	Ordering Information.....	6
Evaluation Board Hardware.....	4	Bill of Materials.....	6
Power Supplies	4	Related Links.....	6

REVISION HISTORY

5/12—Revision 0: Initial Version

AD8476 EVALUATION BOARD SCHEMATIC

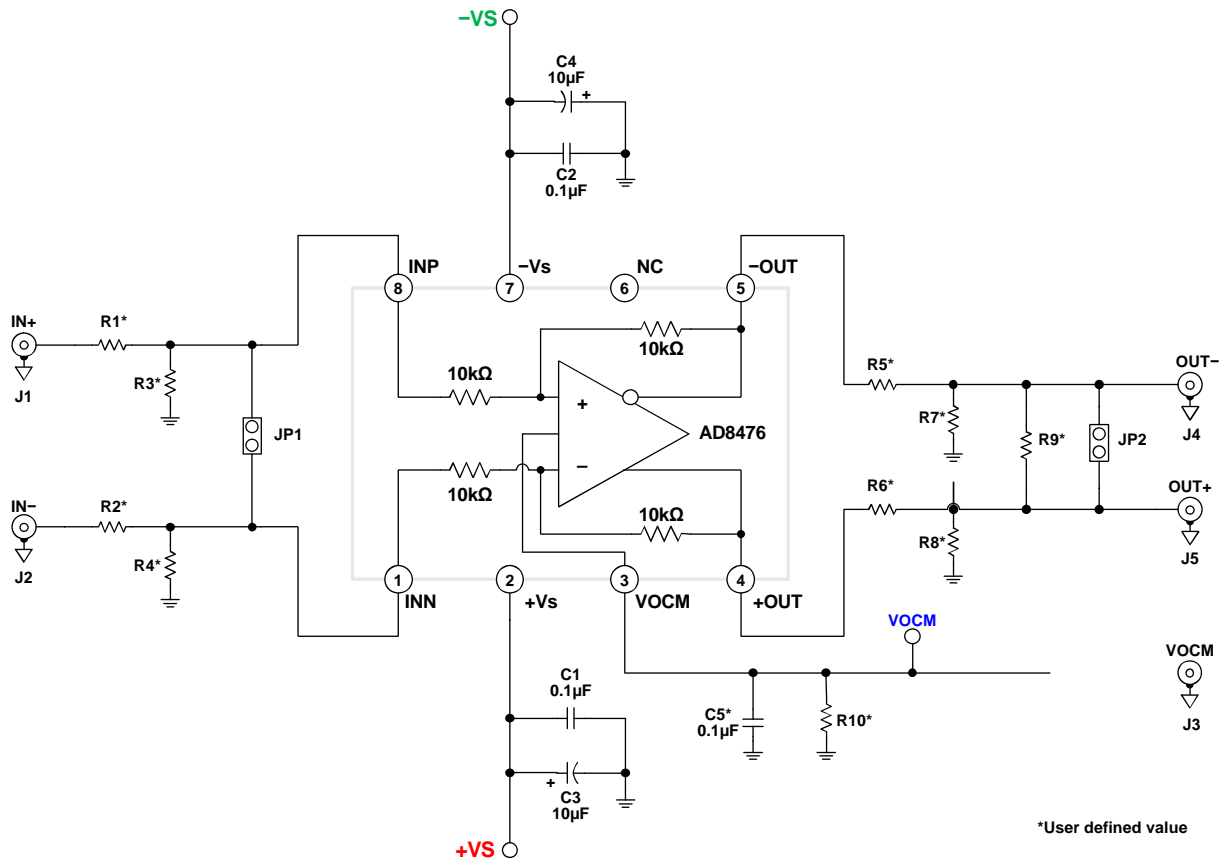


Figure 3. AD8476 Evaluation Board Schematic

10776-003

EVALUATION BOARD HARDWARE

POWER SUPPLIES

Power is applied to the board through test pins $+V_S$ and $-V_S$ (see Figure 3). The board accommodates single or dual supplies. For single-supply operation, connect the negative supply to the ground plane.

It is very important that the power supply pins of the device under test (DUT) have a broadband decoupling circuitry. The board layout facilitates this with footprints for a 0603 ceramic capacitor (C1 and C2) on each supply. Bulk decoupling is provided by C3 and C4; 10 μ F tantalum capacitors are recommended.

VOCM INPUT

To set the output common-mode voltage of the [AD8476](#), an external voltage can be applied to VOCM via J3 (referenced to the ground plane of the board) or the VOCM test point. In ADC driving applications, it is convenient to apply the ADC dc reference voltage output directly to J3. A 0.1 μ F capacitor (C5) is used in normal applications to provide bypassing for the dc voltage applied to the VOCM pin.

VOCM can also be left unconnected. The [AD8476](#) internally sets the output common-mode to mid-supply.

SMB INPUT/OUTPUT CONNECTORS

The inputs and outputs have through-hole SMB connector footprints (which are compatible with most SMA connector footprints) for convenient connection to coaxial cables. The recommended connector type is Johnson Components™, Part Number 131-0701-371 (jack) and 131-1801-371 (plug), or equivalent.

EVALUATION BOARD LAYOUT

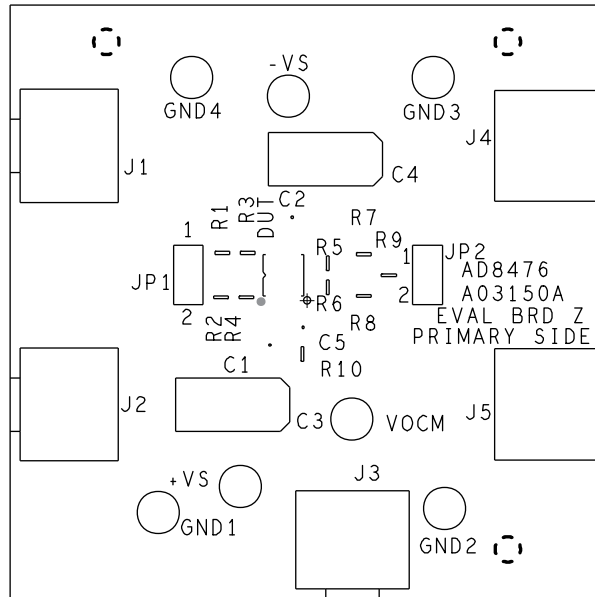


Figure 4. Assembly Drawing Component Side

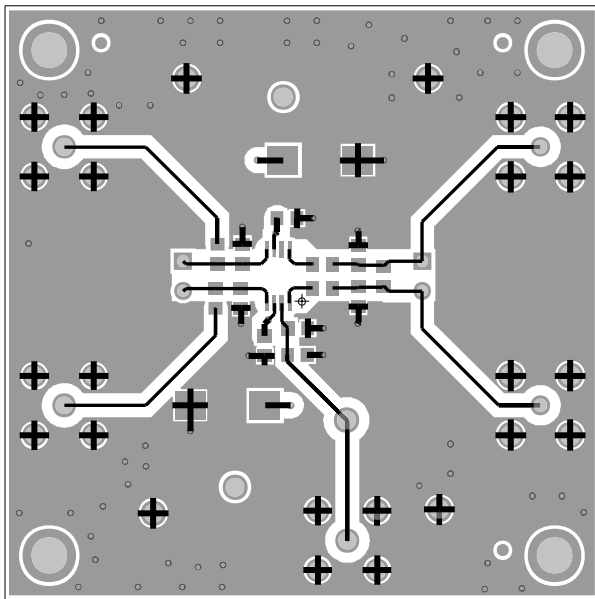


Figure 5. Component Side Metallization (MSOP)

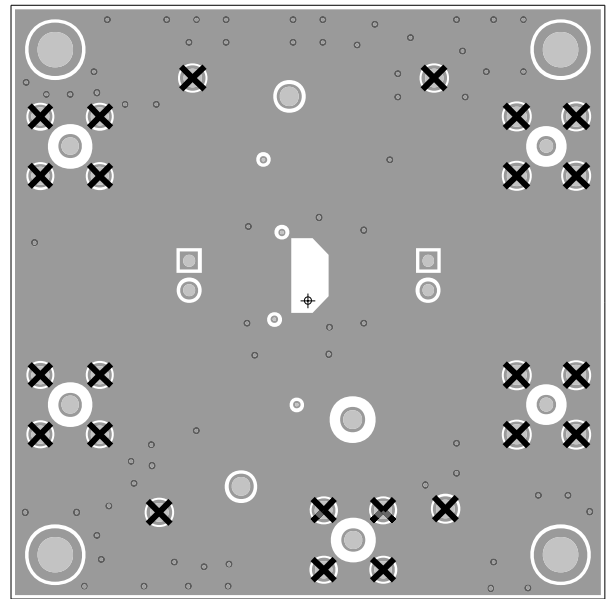


Figure 6. Circuit Side Metallization (MSOP)

ORDERING INFORMATION**BILL OF MATERIALS**

Table 1.

Qty	Reference Designator	Package	Description
2	C3, C4	C7343	10 μ F capacitor
2	C1, C2	C0603	Capacitor, 0.1 μ F
5	J1 to J5	SMB PCM	SMB connector
9	R1 to R12	R0603	Resistor, user defined value
7	+VS, -VS, VOVM, GND1 to GND4	TP1	Test point
2	JP1, JP2	2-pin header	2-pin Berg II 0.100" straight header
1	DUT1	8-lead MSOP	Device under test
1			PC board

RELATED LINKS

Table 2.

Resource	Description
AD8476	Product page, low power, unity gain fully differential amplifier and ADC driver

NOTES

NOTES

**ESD Caution**

ESD (electrostatic discharge) sensitive device. Charged devices and circuit boards can discharge without detection. Although this product features patented or proprietary protection circuitry, damage may occur on devices subjected to high energy ESD. Therefore, proper ESD precautions should be taken to avoid performance degradation or loss of functionality.

Legal Terms and Conditions

By using the evaluation board discussed herein (together with any tools, components documentation or support materials, the "Evaluation Board"), you are agreeing to be bound by the terms and conditions set forth below ("Agreement") unless you have purchased the Evaluation Board, in which case the Analog Devices Standard Terms and Conditions of Sale shall govern. Do not use the Evaluation Board until you have read and agreed to the Agreement. Your use of the Evaluation Board shall signify your acceptance of the Agreement. This Agreement is made by and between you ("Customer") and Analog Devices, Inc. ("ADI"), with its principal place of business at One Technology Way, Norwood, MA 02062, USA. Subject to the terms and conditions of the Agreement, ADI hereby grants to Customer a free, limited, personal, temporary, non-exclusive, non-sublicensable, non-transferable license to use the Evaluation Board FOR EVALUATION PURPOSES ONLY. Customer understands and agrees that the Evaluation Board is provided for the sole and exclusive purpose referenced above, and agrees not to use the Evaluation Board for any other purpose. Furthermore, the license granted is expressly made subject to the following additional limitations: Customer shall not (i) rent, lease, display, sell, transfer, assign, sublicense, or distribute the Evaluation Board; and (ii) permit any Third Party to access the Evaluation Board. As used herein, the term "Third Party" includes any entity other than ADI, Customer, their employees, affiliates and in-house consultants. The Evaluation Board is NOT sold to Customer; all rights not expressly granted herein, including ownership of the Evaluation Board, are reserved by ADI. CONFIDENTIALITY. This Agreement and the Evaluation Board shall all be considered the confidential and proprietary information of ADI. Customer may not disclose or transfer any portion of the Evaluation Board to any other party for any reason. Upon discontinuation of use of the Evaluation Board or termination of this Agreement, Customer agrees to promptly return the Evaluation Board to ADI. ADDITIONAL RESTRICTIONS. Customer may not disassemble, decompile or reverse engineer chips on the Evaluation Board. Customer shall inform ADI of any occurred damages or any modifications or alterations it makes to the Evaluation Board, including but not limited to soldering or any other activity that affects the material content of the Evaluation Board. Modifications to the Evaluation Board must comply with applicable law, including but not limited to the RoHS Directive. TERMINATION. ADI may terminate this Agreement at any time upon giving written notice to Customer. Customer agrees to return to ADI the Evaluation Board at that time. LIMITATION OF LIABILITY. THE EVALUATION BOARD PROVIDED HEREUNDER IS PROVIDED "AS IS" AND ADI MAKES NO WARRANTIES OR REPRESENTATIONS OF ANY KIND WITH RESPECT TO IT. ADI SPECIFICALLY DISCLAIMS ANY REPRESENTATIONS, ENDORSEMENTS, GUARANTEES, OR WARRANTIES, EXPRESS OR IMPLIED, RELATED TO THE EVALUATION BOARD INCLUDING, BUT NOT LIMITED TO, THE IMPLIED WARRANTY OF MERCHANTABILITY, TITLE, FITNESS FOR A PARTICULAR PURPOSE OR NON-INFRINGEMENT OF INTELLECTUAL PROPERTY RIGHTS. IN NO EVENT WILL ADI AND ITS LICENSORS BE LIABLE FOR ANY INCIDENTAL, SPECIAL, INDIRECT, OR CONSEQUENTIAL DAMAGES RESULTING FROM CUSTOMER'S POSSESSION OR USE OF THE EVALUATION BOARD, INCLUDING BUT NOT LIMITED TO LOST PROFITS, DELAY COSTS, LABOR COSTS OR LOSS OF GOODWILL. ADI'S TOTAL LIABILITY FROM ANY AND ALL CAUSES SHALL BE LIMITED TO THE AMOUNT OF ONE HUNDRED US DOLLARS (\$100.00). EXPORT. Customer agrees that it will not directly or indirectly export the Evaluation Board to another country, and that it will comply with all applicable United States federal laws and regulations relating to exports. GOVERNING LAW. This Agreement shall be governed by and construed in accordance with the substantive laws of the Commonwealth of Massachusetts (excluding conflict of law rules). Any legal action regarding this Agreement will be heard in the state or federal courts having jurisdiction in Suffolk County, Massachusetts, and Customer hereby submits to the personal jurisdiction and venue of such courts. The United Nations Convention on Contracts for the International Sale of Goods shall not apply to this Agreement and is expressly disclaimed.