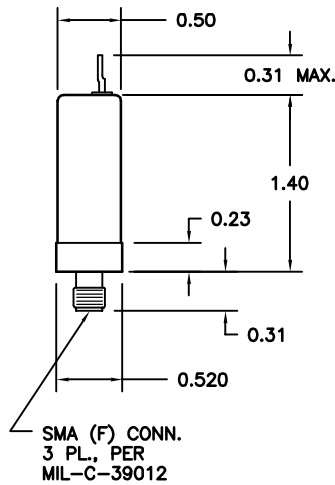
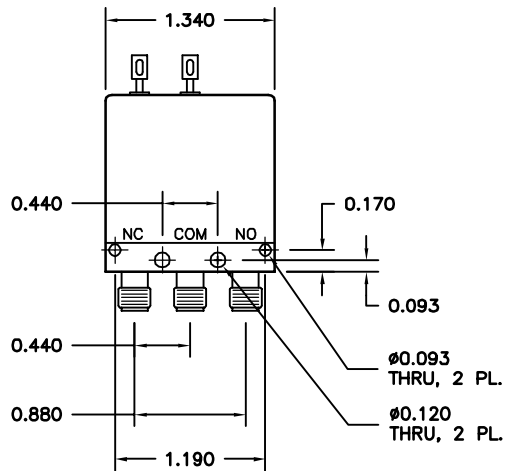
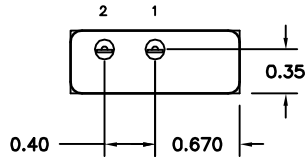
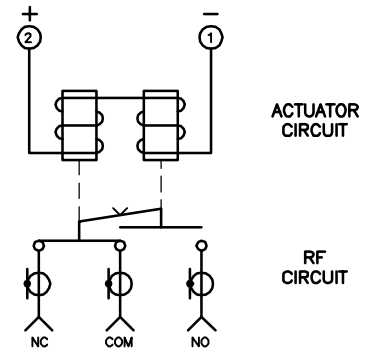


REV. -	AUTH. R.L.	DATE 4/26/04	INITIAL RELEASE	APPROVED
REV. A	AUTH. R.L.	DATE 06/23/05	REMOVED PINS 3,5,4 FROM DWG., ALT UNITS REMOVED.	APPROVED



MECHANICAL



ELECTRICAL

PERFORMANCE SPECS.

MODEL: S2810H
 ACTUATING VOLTAGE: 24-32 VDC (28 VDC NOMINAL)
 ACTUATING CURRENT:F 160 mA MAX AT 28 VDC AND 72° F
 IMPEDANCE: 50 OHMS
 SWITCHING TIME: 15 mS MAX
 OPERATING MODE: FAILSAFE
 OPERATING TEMP: -35 °C TO +85 °C

MATERIAL -	TREATMENT -	DRAWN R. LYNCH	DATE 4/26/04	
FINISH -	MOD NO. S2810H	CHECKED	DATE	
OUTLINE, S2810H ELECTROMECHANICAL RF SWITCH, SPDT, FAILSAFE		APPROVED	DATE	
		CAGE CODE: OR8N4	DO NOT SCALE DWG	
ADVANCED TECHNICAL MATERIALS, INC. 49 RIDER AVE., PATCHOGUE N.Y. 11772 TEL: (631) 289-0363 FAX: (631) 289-0358 http://www.atmmicrowave.com		UNLESS OTHERWISE NOTED DIMENSIONS ARE IN INCHES TOLERANCES ARE:	FRACTIONS ±1/64 DECIMALS ±.01 ANGLES ±1/2°	SHEET. 1/1
PROPRIETARY NOTICE: THE INFORMATION IN THIS DRAWING IS PROPRIETARY AND SHALL NOT BE USED OR DISCLOSED WITHOUT THE PRIOR WRITTEN CONSENT OF ATM, INC.		SCALE NONE	DWG. NO. 3945	REV. A