

■ Electrical Characteristics

Unless otherwise specified, condition shall be $V_{IN}=1.8V, V_B=3.3V, V_O=1.2V(R_1=1k\Omega), I_O=0.5A, T_a=25^\circ C$

Parameter	Symbol	Conditions	MIN.	TYP.	MAX.	Unit
Input voltage	V_{IN}	$0.8V \leq V_O \leq 1.2V$	1.7	-	5.5	V
		$1.2V < V_O \leq 3.5V$	$V_O+0.5$	-	5.5	V
Bias supply voltage	V_B	-	2.35	-	7.0	V
Output voltage	V_O	-	0.8	-	3.5	V
Load regulation	Reg_L	$I_O=5mA$ to 1.5A	-	0.3	1.0	%
Line regulation	Reg_l	$V_{IN}=1.7V$ to 5.5V, $V_B=2.35$ to 7V, $I_O=5mA$	-	0.3	1.0	%
Reference voltage	V_{ref}	-	0.57	0.6	0.63	V
Temperature coefficient of reference voltage	$T_C V_{ref}$	$T_j=0$ to $+125^\circ C, I_O=5mA$	-	± 0.5	-	%
Ripple rejection	RR1	Refer to Fig.2	-	60	-	dB
	RR2	Refer to Fig.3	-	53	-	dB
Bias power supply input current	I_B	$I_O=0A$	-	1.5	2	mA

Fig.1 Test Circuit

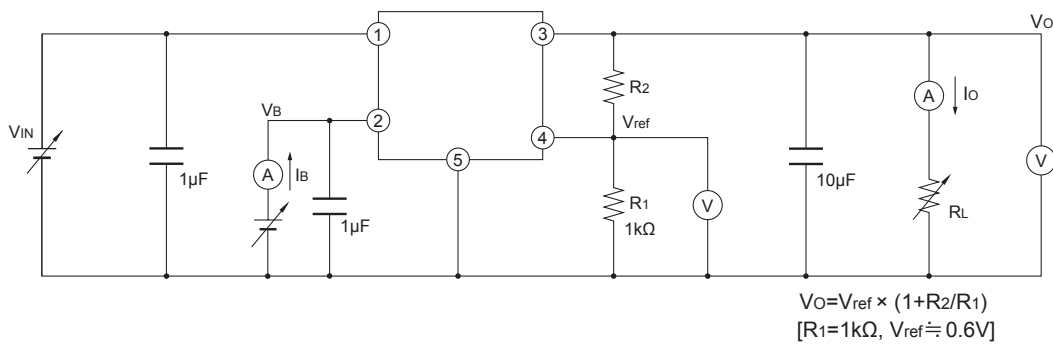


Fig.2 Test Circuit for Ripple Rejection (1)

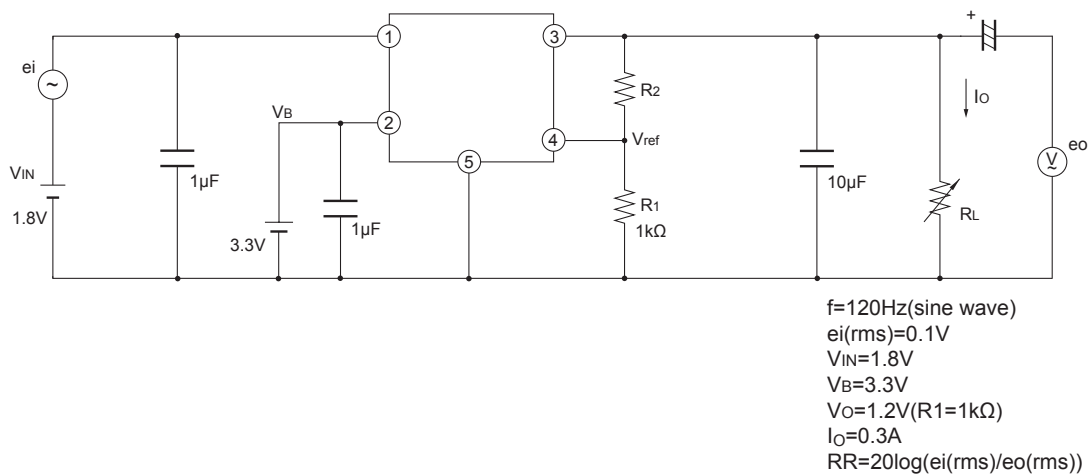


Fig.3 Test Circuit for Ripple Rejection (2)

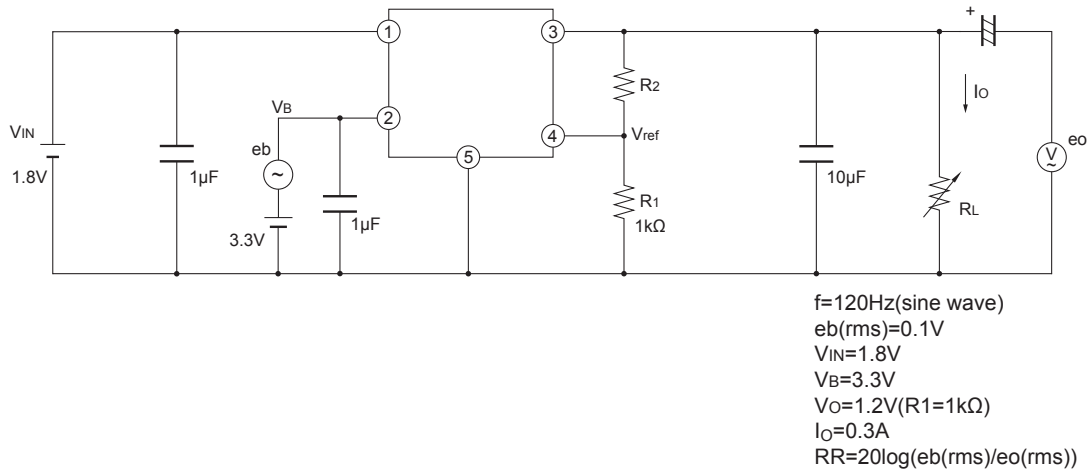
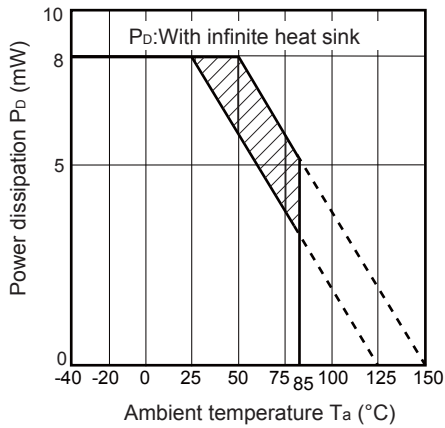


Fig.4 Power Dissipation vs. Ambient Temperature



Note) Oblique line portion: Overheat protection may operate in this area.

Fig.5 Overcurrent Protection Characteristics

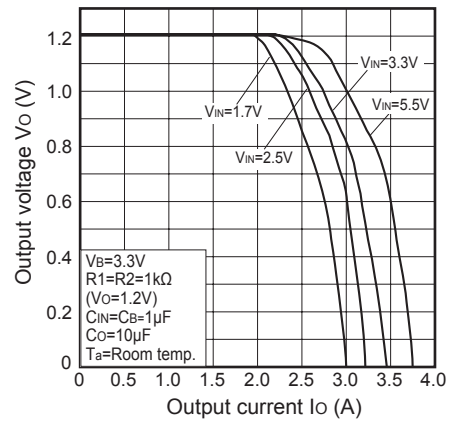


Fig.6 Output Voltage Adjustment Characteristics(Typical Value)

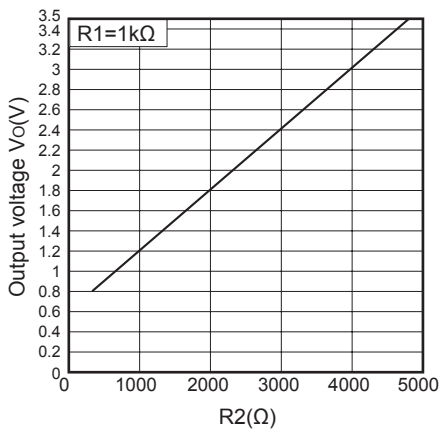
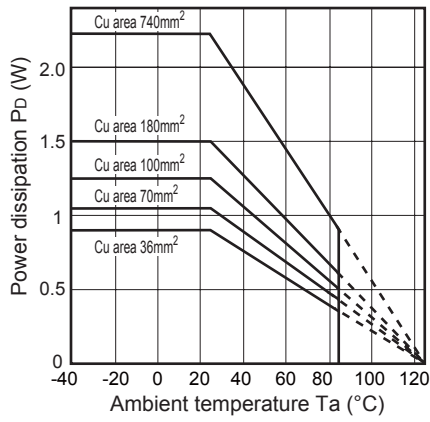
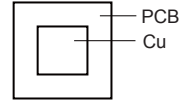


Fig.7 Power Dissipation vs. Ambient Temperature (Typical Value)



Mounting PCB



Material : Glass-cloth epoxy resin
 Size : 50×50×1.6mm
 Cu thickness : 35μm

■ Setting of Output Voltage

Output voltage is able to set (0.8V to 3.5V) when resistors R₁, R₂ are attached to ③,④,⑤ terminals. As for the external resistors to set output voltage, refer to the following figure and Fig.6.

