



SANYO Semiconductors

DATA SHEET

An ON Semiconductor Company

Monolithic Digital IC

LB11847 — PWM Current Control Type Stepping Motor Driver

Overview

The LB11847 is a driver IC for stepping motors with PWM current control bipolar drive (fixed OFF time). A special feature of this IC is that V_{REF} voltage is constant while the current can be set in 15 steps, allowing drive of motors ranging from 1-2 phase exciter types to 4W 1-2 phase exciter types. The current decay pattern can also be selected (SLOW DECAY, FAST DECAY, MIX DECAY) to increase the decay of regenerative current at chopping OFF, thereby improving response characteristics. This is especially useful for carriage and paper feed stepping motors in printers and similar applications where highprecision control and low vibrations are required.

Features

- PWM current control (fixed OFF time)
- Load current digital selector (1-2, W1-2, 2W1-2, 4W1-2 phase exciter drive possible)
- Selectable current decay pattern (SLOW DECAY, FAST DECAY, MIX DECAY)
- Simultaneous ON prevention function (feedthrough current prevention)
- Noise canceler
- Built-in thermal shutdown circuit
- Built-in logic low-voltage OFF circuit

Specifications

Absolute Maximum Ratings at $T_a = 25^\circ\text{C}$

Parameter	Symbol	Conditions	Ratings	Unit
Motor supply voltage	V_{BB}		50	V
Output peak current	I_{OPEAK}	$t_W \leq 20\mu\text{s}$	1.75	A
Output continuous current	$I_O \text{ max}$		1.5	A
Logic supply voltage	V_{CC}		7.0	V
Logic input voltage range	V_{IN}		-0.3 to V_{CC}	V
Emitter output voltage	V_E		1.0	V

Continued on next page.

■ Any and all SANYO Semiconductor Co.,Ltd. products described or contained herein are, with regard to "standard application", intended for the use as general electronics equipment (home appliances, AV equipment, communication device, office equipment, industrial equipment etc.). The products mentioned herein shall not be intended for use for any "special application" (medical equipment whose purpose is to sustain life, aerospace instrument, nuclear control device, burning appliances, transportation machine, traffic signal system, safety equipment etc.) that shall require extremely high level of reliability and can directly threaten human lives in case of failure or malfunction of the product or may cause harm to human bodies, nor shall they grant any guarantee thereof. If you should intend to use our products for applications outside the standard applications of our customer who is considering such use and/or outside the scope of our intended standard applications, please consult with us prior to the intended use. If there is no consultation or inquiry before the intended use, our customer shall be solely responsible for the use.

■ Specifications of any and all SANYO Semiconductor Co.,Ltd. products described or contained herein stipulate the performance, characteristics, and functions of the described products in the independent state, and are not guarantees of the performance, characteristics, and functions of the described products as mounted in the customer's products or equipment. To verify symptoms and states that cannot be evaluated in an independent device, the customer should always evaluate and test devices mounted in the customer's products or equipment.

SANYO Semiconductor Co., Ltd.

<http://semicon.sanyo.com/en/network>

LB11847

Continued from preceding page.

Parameter	Symbol	Conditions	Ratings	Unit
Allowable power dissipation	Pd max	Ta = 25°C	3.0	W
		With heat sink	20	W
Operating temperature	Topr		-20 to +85	°C
Storage temperature	Tstg		-55 to +150	°C

Allowable Operating Conditions at Ta = 25°C

Parameter	Symbol	Conditions	Ratings	Unit
Motor supply voltage range	V _{BB}		10 to 45	V
Logic supply voltage range	V _{CC}		4.75 to 5.25	V
Reference voltage range	V _{REF}		0.0 to 3.0	V

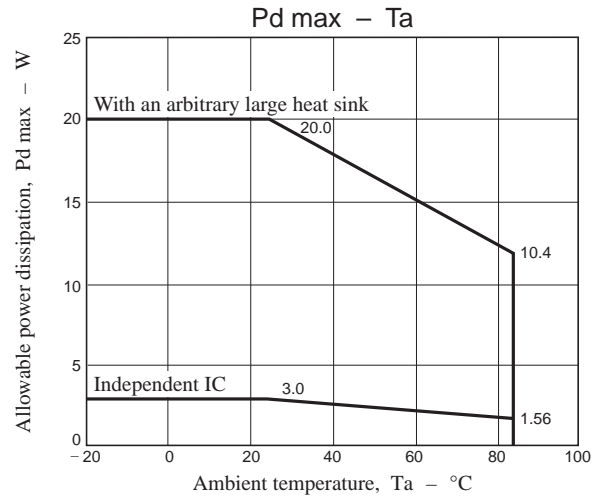
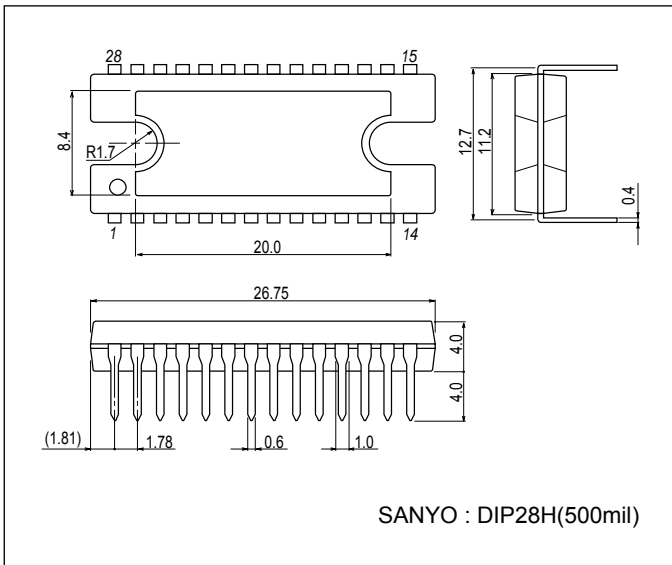
Electrical Characteristics at Ta = 25°C, V_{BB} = 45V, V_{CC} = 5V, V_{REF} = 1.52V

Parameter	Symbol	Conditions	Ratings			Unit
			min	typ	max	
Output block						
Output stage supply voltage	I _{BB ON}		2.3	3.5	5.0	mA
	I _{BB OFF}		0.5	0.8	1.1	mA
Output saturation voltage	V _{O(sat) 1}	I _O = +1.0A, sink		1.2	1.6	V
	V _{O(sat) 2}	I _O = +1.5A, sink		1.5	1.9	V
	V _{O(sat) 3}	I _O = -1.0A, source		1.9	2.2	V
	V _{O(sat) 4}	I _O = -1.5A, source		2.2	2.4	V
Output leak current	I _{O(leak) 1}	V _O = V _{BB} , sink			50	μA
	I _{O(leak) 2}	V _O = 0V, source	-50			μA
Output sustain voltage	V _{SUS}	L = 15 mH, I _O = 1.5A, Guaranteed design value	45			V
Logic block						
Logic supply current	I _{CC ON}	I ₄ = 2.0V, I ₃ = 2.0V, I ₂ = 2.0V, I ₁ = 2.0V	19.5	26	36.5	mA
	I _{CC OFF}	ENABLE = 2.0V	10.5	15	19.5	mA
Input voltage	V _{IH}		2.0			V
	V _{IL}				0.8	V
Input current	I _{IH}	V _{IH} = 2.0V			100	μA
	I _{IL}	V _{IL} = 0.8V	-10			μA
Sensing voltage	V _E	I ₄ = 2.0V, I ₃ = 2.0V, I ₂ = 2.0V, I ₁ = 2.0V	0.470	0.50	0.525	V
		I ₄ = 2.0V, I ₃ = 2.0V, I ₂ = 2.0V, I ₁ = 0.8V	0.445	0.48	0.505	V
		I ₄ = 2.0V, I ₃ = 2.0V, I ₂ = 0.8V, I ₁ = 2.0V	0.425	0.46	0.485	V
		I ₄ = 2.0V, I ₃ = 2.0V, I ₂ = 0.8V, I ₁ = 0.8V	0.410	0.43	0.465	V
		I ₄ = 2.0V, I ₃ = 0.8V, I ₂ = 2.0V, I ₁ = 2.0V	0.385	0.41	0.435	V
		I ₄ = 2.0V, I ₃ = 0.8V, I ₂ = 2.0V, I ₁ = 0.8V	0.365	0.39	0.415	V
		I ₄ = 2.0V, I ₃ = 0.8V, I ₂ = 0.8V, I ₁ = 2.0V	0.345	0.37	0.385	V
		I ₄ = 2.0V, I ₃ = 0.8V, I ₂ = 0.8V, I ₁ = 0.8V	0.325	0.35	0.365	V
		I ₄ = 0.8V, I ₃ = 2.0V, I ₂ = 2.0V, I ₁ = 2.0V	0.280	0.30	0.325	V
		I ₄ = 0.8V, I ₃ = 2.0V, I ₂ = 2.0V, I ₁ = 0.8V	0.240	0.26	0.285	V
		I ₄ = 0.8V, I ₃ = 2.0V, I ₂ = 0.8V, I ₁ = 2.0V	0.195	0.22	0.235	V
		I ₄ = 0.8V, I ₃ = 2.0V, I ₂ = 0.8V, I ₁ = 0.8V	0.155	0.17	0.190	V
		I ₄ = 0.8V, I ₃ = 0.8V, I ₂ = 2.0V, I ₁ = 2.0V	0.115	0.13	0.145	V
I ₄ = 0.8V, I ₃ = 0.8V, I ₂ = 2.0V, I ₁ = 0.8V	0.075	0.09	0.100	V		
Reference current	I _{REF}	V _{REF} = 1.5V	-0.5			μA
CR pin current	I _{CR}	CR = 1.0V	-4.6		-1.0	mA
MD pin current	I _{MD}	MD = 1.0V, CR = 4.0V	-5.0			μA
DECAY pin current Low	I _{DECL}	V _{DEC} = 0.8V	-10			μA
DECAY pin current High	I _{DECH}	V _{DEC} = 2.0V			5	μA
Thermal shutdown temperature	TSD			170		°C
Logic ON voltage	L _{VSD1}		3.35	3.65	3.95	V
Logic OFF voltage	L _{VSD2}		3.20	3.50	3.80	V
L _{VSD} hysteresis width	ΔL _{VSD}		0.065	0.15	0.23	V

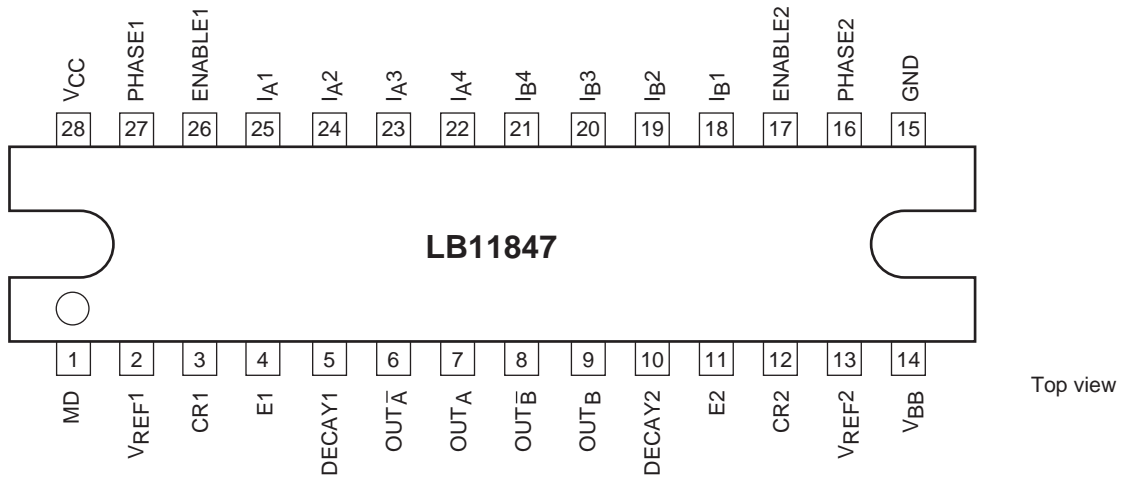
LB11847

Package Dimensions

unit : mm (typ)
3147C



Pin Assignment



LB11847

Pin Function

Pin number	Pin name	Function description
1	MD	Sets the OFF time for FAST mode and SLOW mode in MIX DECAY. Setting input range: 4V to 1.5V
2 13	V _{REF1} V _{REF2}	Output set current reference supply pins. Setting voltage range: 0V to 3V
3 12	CR1 CR2	Output OFF time setting pins for switching operation.
4 11	E1 E2	Pins for controlling the set current with sensing resistor RE.
5 10	DECAY1 DECYA2	SLOW mode/FAST mode selector pins. SLOW DECAY : H FAST DECAY : L
6 7 8 9	OUT _A OUT _A OUT _B OUT _B	Output pins.
14	V _{BB}	Output stage supply voltage pin.
15	GND	Ground pin.
27 16	PHASE1 PHASE2	Output phase selector input pins.
26 17	ENABLE1 ENABLE2	Output ON/OFF setting input pins.
22, 23 24, 25 21, 20 19, 18	I _{A4} , I _{A3} I _{A2} , I _{A1} I _{B4} , I _{B3} I _{B2} , I _{B1}	Output set current digital input pins. 15-stage voltage setting.
28	V _{CC}	Logic block supply voltage pin.

Truth Table

PHASE	ENABLE	OUT _A	OUT _A
H	L	H	L
L	L	L	H
-	H	OFF	OFF

Set Current Truth Table

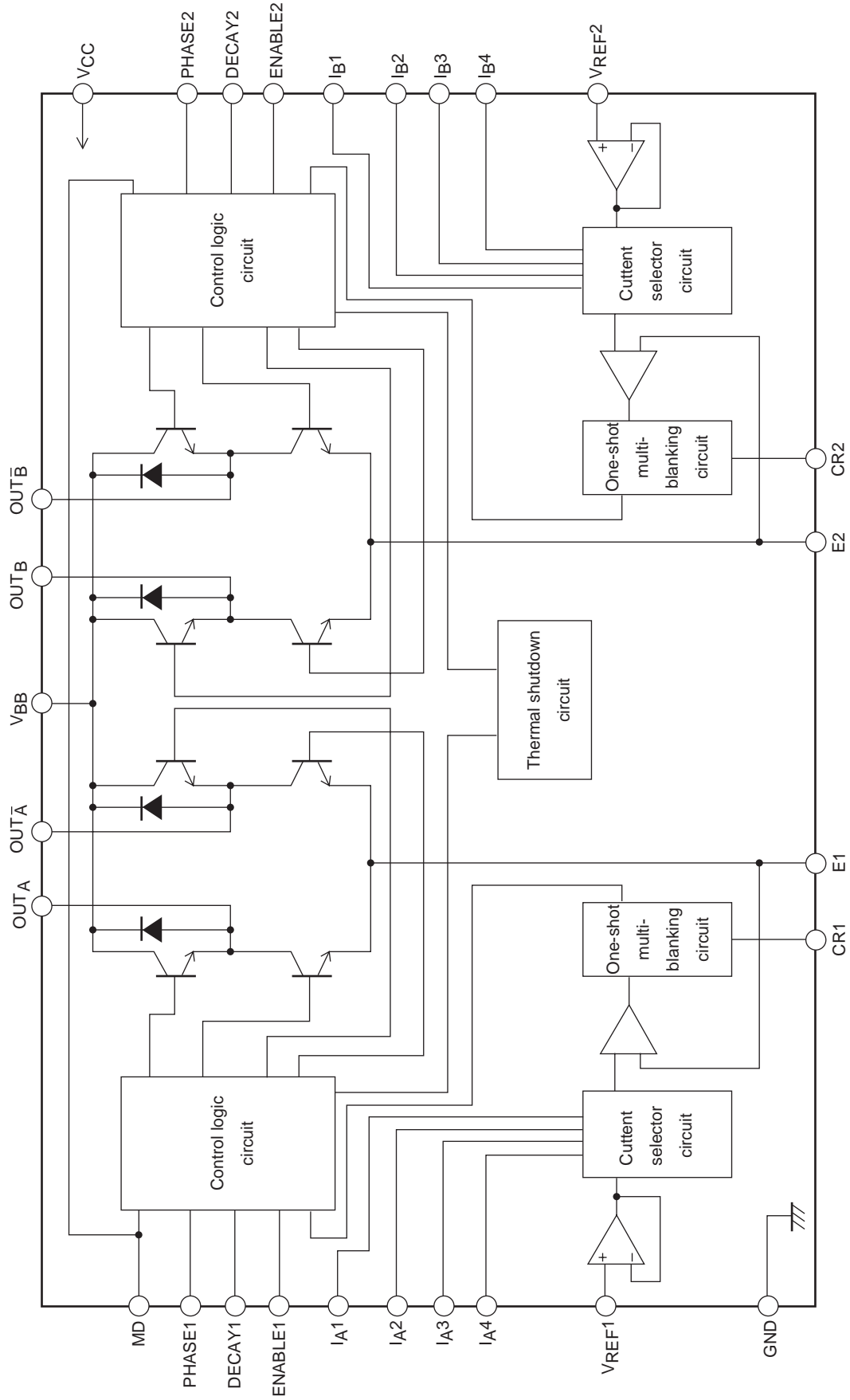
I _{A4}	I _{A3}	I _{A2}	I _{A1}	Set current I _{OUT}	Current ratio (%)
1	1	1	1	$11.5/11.5 \times V_{REF}/3.04RE = I_{OUT}$	100
1	1	1	0	$11.0/11.5 \times V_{REF}/3.04RE = I_{OUT}$	95.65
1	1	0	1	$10.5/11.5 \times V_{REF}/3.04RE = I_{OUT}$	91.30
1	1	0	0	$10.0/11.5 \times V_{REF}/3.04RE = I_{OUT}$	86.95
1	0	1	1	$9.5/11.5 \times V_{REF}/3.04RE = I_{OUT}$	82.61
1	0	1	0	$9.0/11.5 \times V_{REF}/3.04RE = I_{OUT}$	78.26
1	0	0	1	$8.5/11.5 \times V_{REF}/3.04RE = I_{OUT}$	73.91
1	0	0	0	$8.0/11.5 \times V_{REF}/3.04RE = I_{OUT}$	69.56
0	1	1	1	$7.0/11.5 \times V_{REF}/3.04RE = I_{OUT}$	60.87
0	1	1	0	$6.0/11.5 \times V_{REF}/3.04RE = I_{OUT}$	52.17
0	1	0	1	$5.0/11.5 \times V_{REF}/3.04RE = I_{OUT}$	43.48
0	1	0	0	$4.0/11.5 \times V_{REF}/3.04RE = I_{OUT}$	34.78
0	0	1	1	$3.0/11.5 \times V_{REF}/3.04RE = I_{OUT}$	26.08
0	0	1	0	$2.0/11.5 \times V_{REF}/3.04RE = I_{OUT}$	17.39

* Current ratio (%) is the calculated set current value.

Current Decay Switching Truth Table

Current decay mode	DECAY pin	MD pin	Output chopping
SLOW DECAY	H	L	Upper-side chopping
FAST DECAY	L	L	Dual-side chopping
MIX DECAY	L	4V to 1.5V input voltage setting	CR voltage > MD : dual-side chopping CR voltage < MD : upper-side chopping

Block Diagram



LB11847

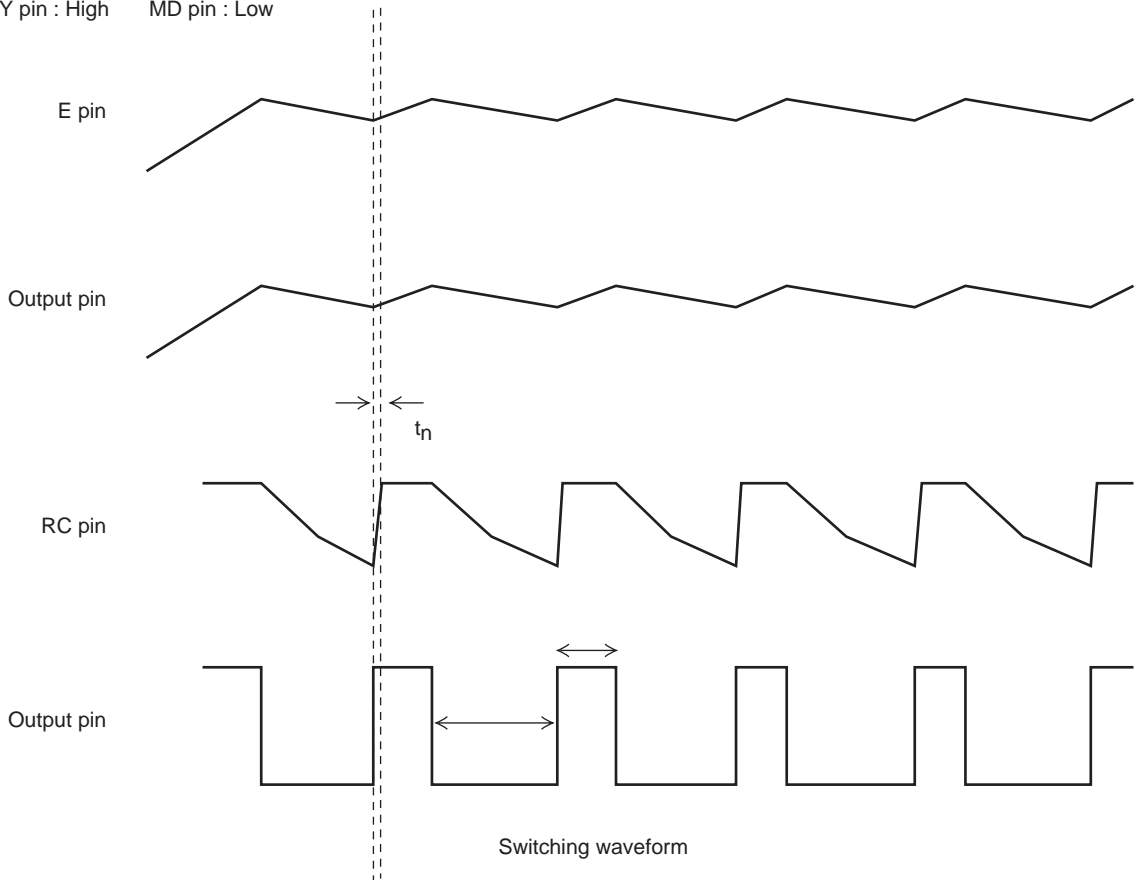
Sequence Table

No.	Phase A							Phase B							Phase 1-2	Phase W1-2	Phase 2W1-2	Phase 4W1-2
	I _{A4}	I _{A3}	I _{A2}	I _{A1}	ENA1	PHA1	I _{OUT}	I _{B4}	I _{B3}	I _{B2}	I _{B1}	ENA2	PHA2	I _{OUT}				
0	1	1	1	1	0	0	100%	0	0	1	0	1	*	0%	○	○	○	○
1	1	1	1	1	0	0	100	0	0	1	0	0	0	17.39				○
2	1	1	1	1	0	0	100	0	0	1	1	0	0	26.08			○	○
3	1	1	1	0	0	0	95.65	0	1	0	0	0	0	34.78				○
4	1	1	0	1	0	0	91.30	0	1	0	1	0	0	43.48		○	○	○
5	1	1	0	0	0	0	86.95	0	1	1	0	0	0	52.17				○
6	1	0	1	1	0	0	82.61	0	1	1	1	0	0	60.87			○	○
7	1	0	1	0	0	0	78.26	1	0	0	0	0	0	69.56				○
8	1	0	0	1	0	0	73.91	1	0	0	1	0	0	73.91	○	○	○	○
9	1	0	0	0	0	0	69.56	1	0	1	0	0	0	78.26				○
10	0	1	1	1	0	0	60.87	1	0	1	1	0	0	82.61			○	○
11	0	1	1	0	0	0	52.17	1	1	0	0	0	0	86.95				○
12	0	1	0	1	0	0	43.48	1	1	0	1	0	0	91.30		○	○	○
13	0	1	0	0	0	0	34.78	1	1	1	0	0	0	95.65				○
14	0	0	1	1	0	0	26.08	1	1	1	1	0	0	100			○	○
15	0	0	1	0	0	0	17.39	1	1	1	1	0	0	100				○
16	0	0	0	1	1	*	0	1	1	1	1	0	0	100	○	○	○	○
17	0	0	1	0	0	1	17.39	1	1	1	1	0	0	100				○
18	0	0	1	1	0	1	26.08	1	1	1	1	0	0	100			○	○
19	0	1	0	0	0	1	34.78	1	1	1	0	0	0	95.65				○
20	0	1	0	1	0	1	43.48	1	1	0	1	0	0	91.30		○	○	○
21	0	1	1	0	0	1	52.17	1	1	0	0	0	0	86.95				○
22	0	1	1	1	0	1	60.87	1	0	1	1	0	0	82.61			○	○
23	1	0	0	0	0	1	69.56	1	0	1	0	0	0	78.26				○
24	1	0	0	1	0	1	73.91	1	0	0	1	0	0	73.91	○	○	○	○
25	1	0	1	0	0	1	78.26	1	0	0	0	0	0	69.56				○
26	1	0	1	1	0	1	82.61	0	1	1	1	0	0	60.87			○	○
27	1	1	0	0	0	1	86.95	0	1	1	0	0	0	52.17				○
28	1	1	0	1	0	1	91.30	0	1	0	1	0	0	43.48		○	○	○
29	1	1	1	0	0	1	95.65	0	1	0	0	0	0	34.78				○
30	1	1	1	1	0	1	100	0	0	1	1	0	0	26.08			○	○
31	1	1	1	1	0	1	100	0	0	1	0	0	0	17.39				○

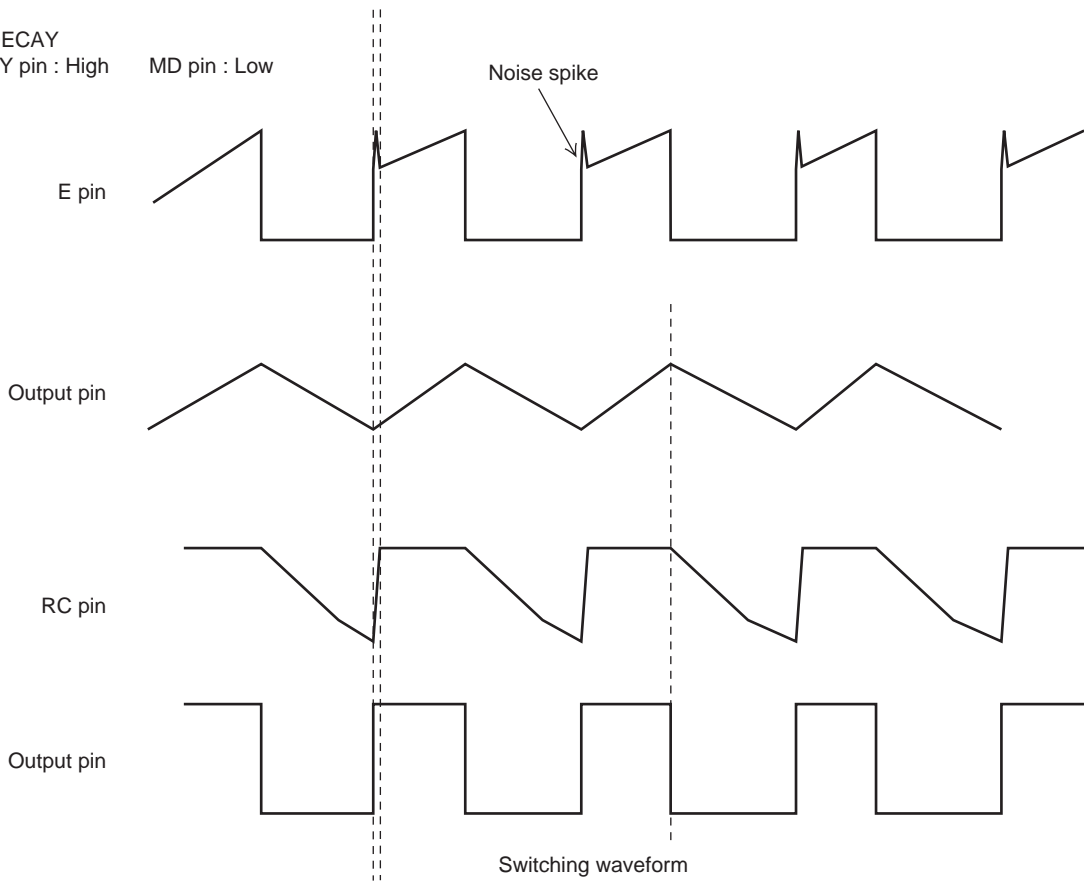
* : I_{OUT} percentage (%) is the calculated setting value.

Switch Timing Chart during PWM Drive

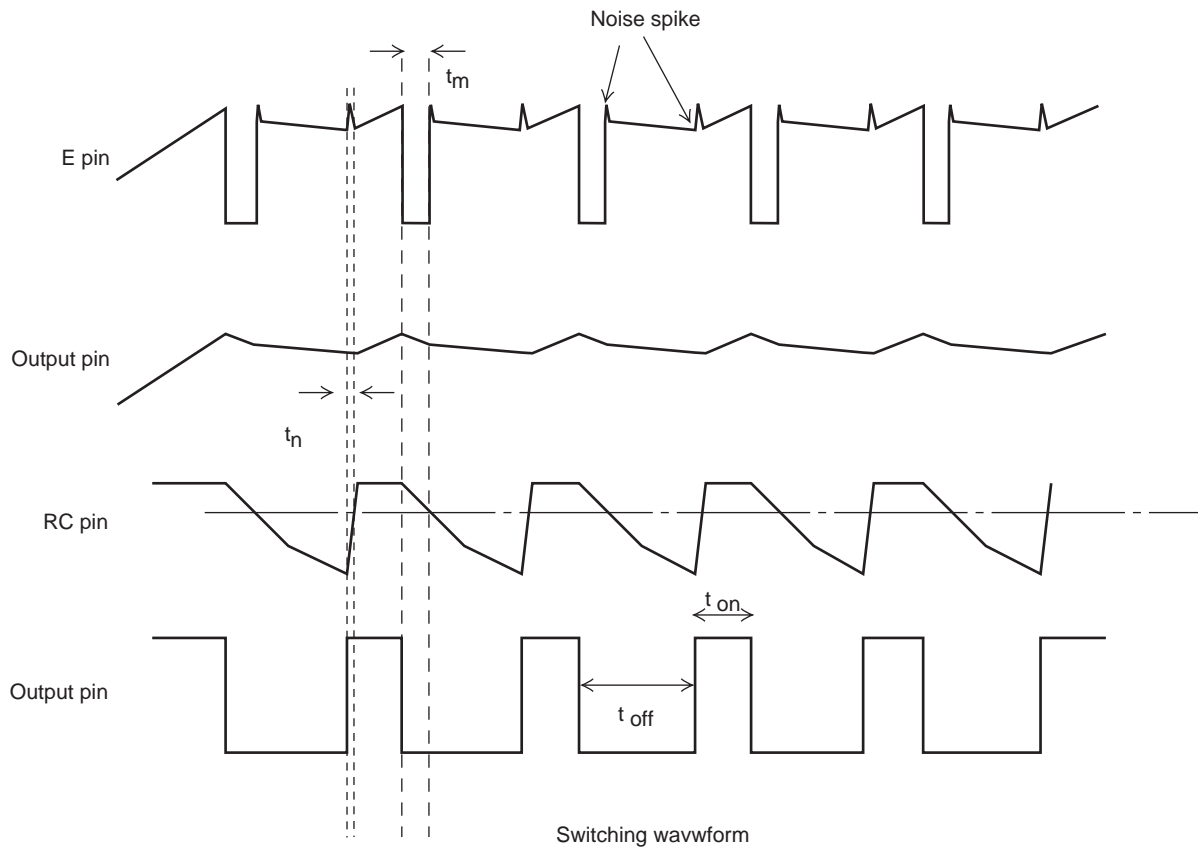
SLOW DECAY (upper-side chopping)
DECAY pin : High MD pin : Low



FAST DECAY
DECAY pin : High MD pin : Low



MIX DECAY



- t_{on} : Output ON time
- t_{off} : Output OFF time
- t_m : FAST DECAY time in MIX DECAY mode
- t_n : Noise cancelling time

MIX DECAY logic setting

DECAY pin : L

MD pin : 1.5V to 4.0V voltage setting

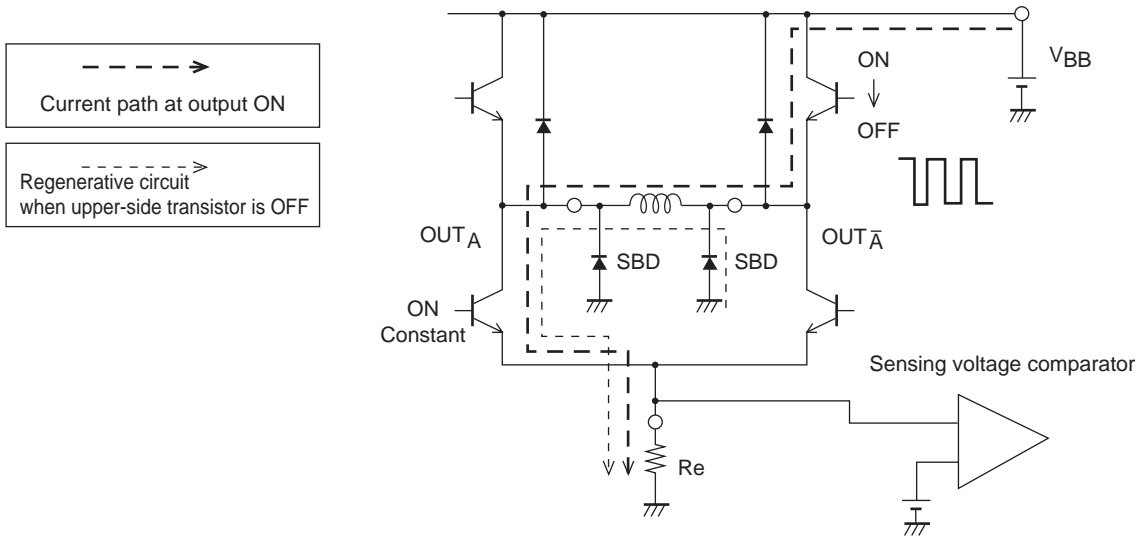
CR voltage and MD pin voltage are compared to select dual-side chopping
or upper-side chopping.

CR voltage > MD pin voltage: dual-side chopping

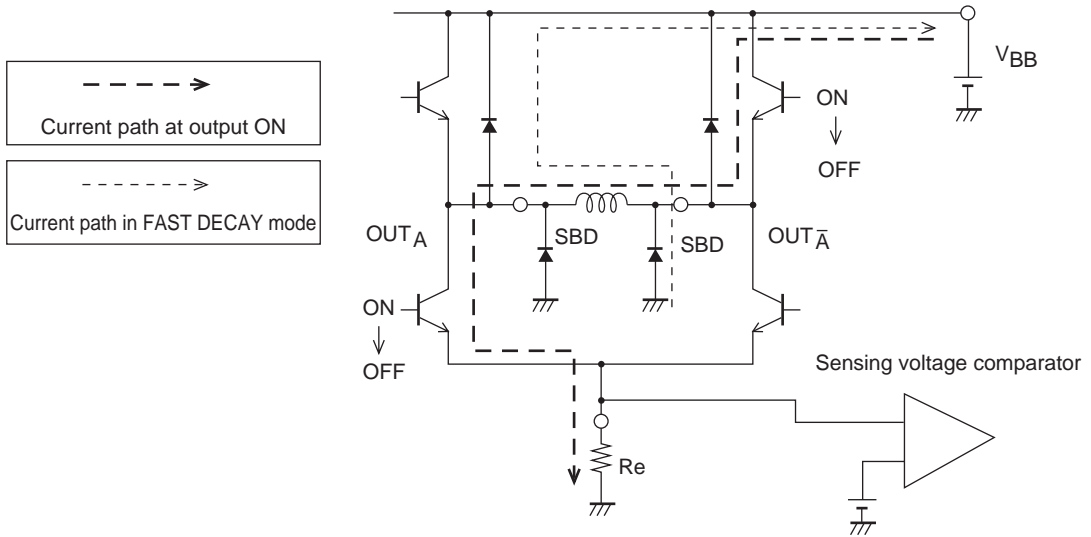
CR voltage < MD pin voltage: top-side chopping

SLOW DECAY current path

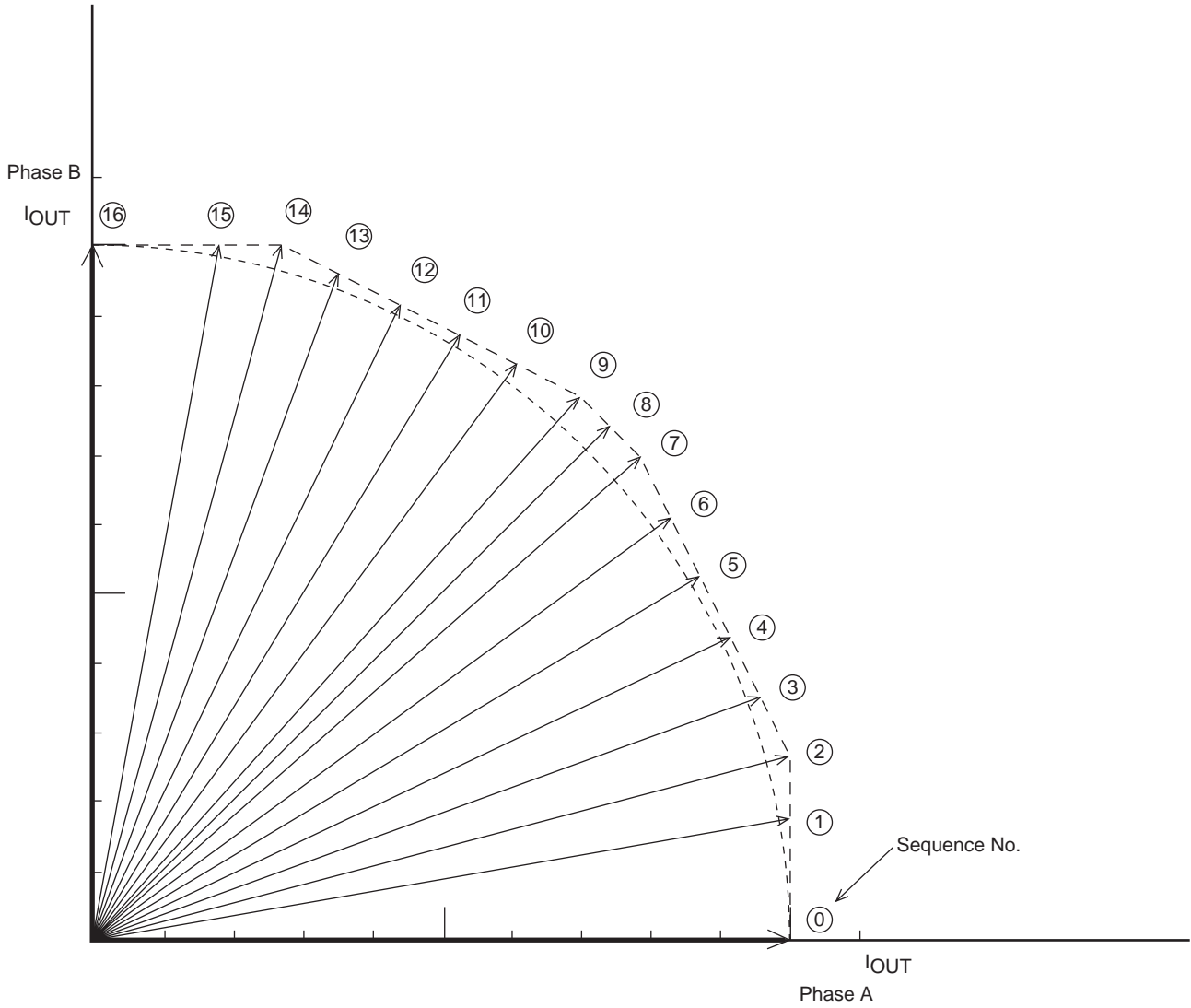
Regenerative current during upper-side transistor switching operation



Current path in FAST DECAY mode



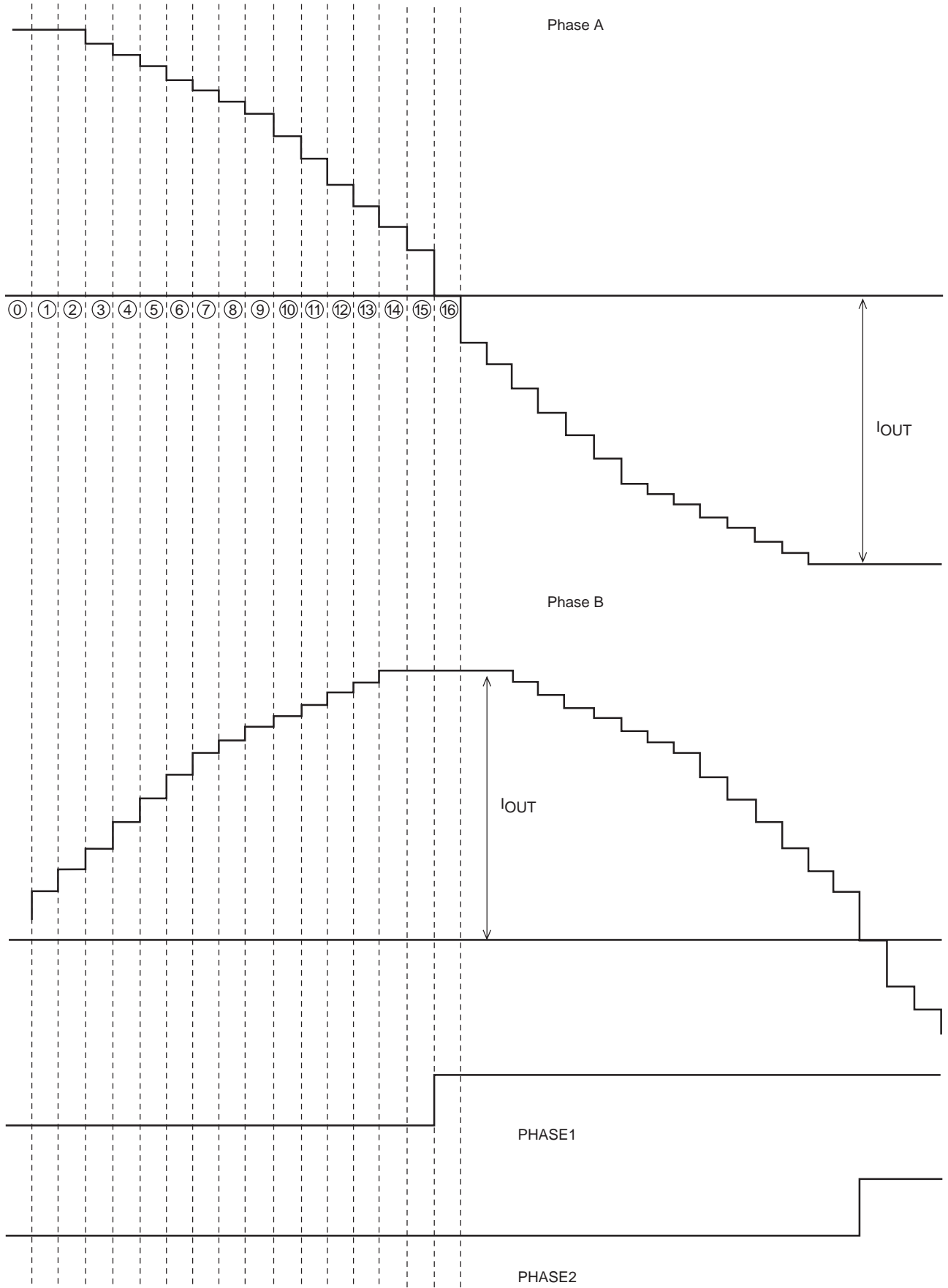
Composite Vectors of Set Current (1 step normalized to 90°)



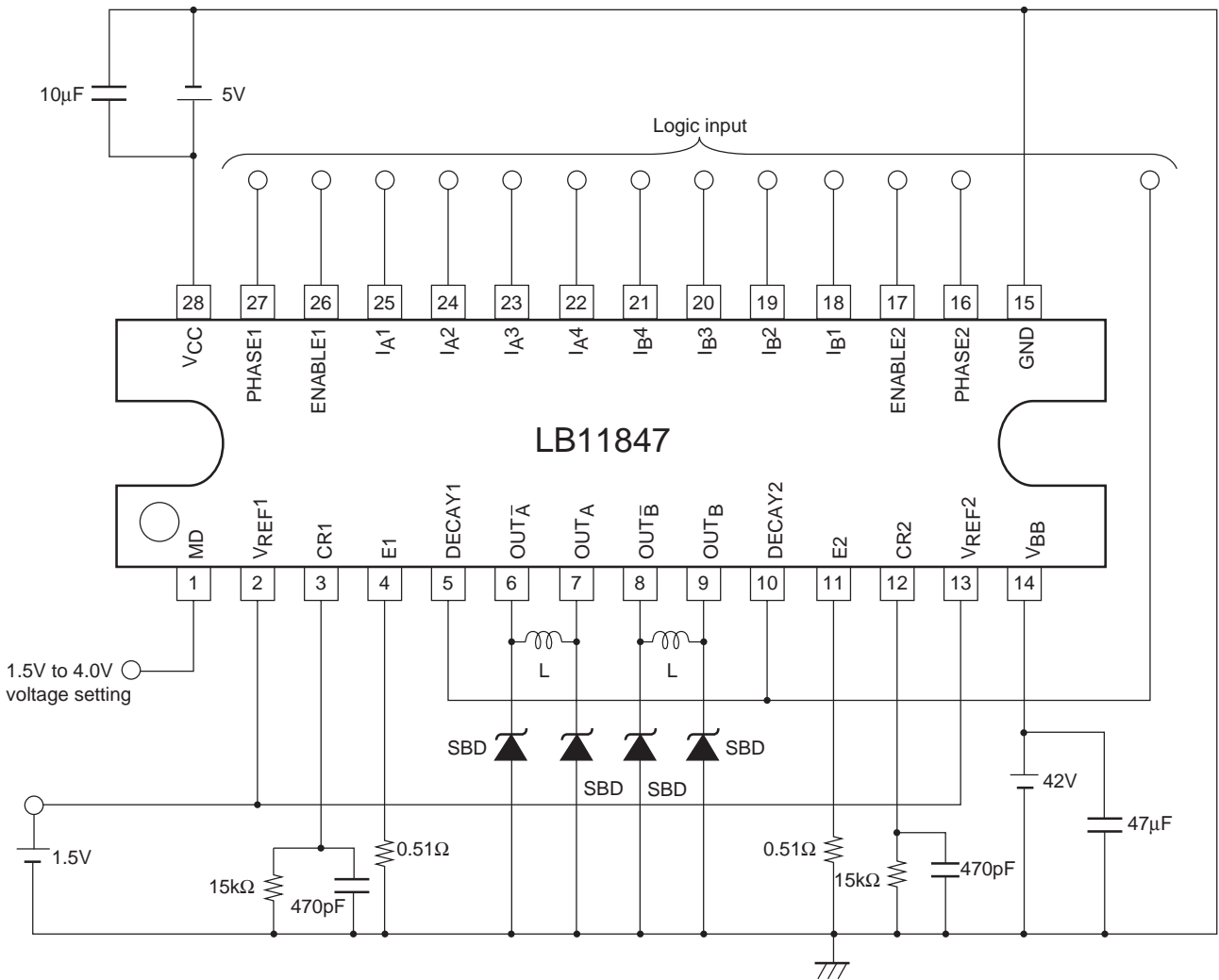
No.	θ	Rotation angles	Composite vectors
0	θ_0	0°	100.0
1	θ_1	9.87°	101.5
2	θ_2	14.6°	103.35
3	θ_3	20.0°	101.78
4	θ_4	25.5°	101.12
5	θ_5	30.96°	101.4
6	θ_6	36.38°	102.61
7	θ_7	41.63°	104.7
8	θ_8	45.0°	104.5
9	θ_9	48.37°	104.7
10	θ_{10}	53.62°	102.61
11	θ_{11}	59.04°	101.4
12	θ_{12}	64.5°	101.12
13	θ_{13}	70.0°	101.78
14	θ_{14}	75.4°	103.35
15	θ_{15}	80.13°	101.5
16	θ_{16}	90.0°	100.0

* Rotation angle and composite spectrum are calculated values.

Set Current Waveform Model



Sample Application Circuit



Notes on Usage

1. External diodes

Because this IC uses upper-side transistor switching in SLOW DECAY mode and dual-side transistor switching in FAST DECAY mode, it requires external diodes between the OUT pins and ground for the regenerative current during switching OFF. Use Schottky barrier diodes with low VF.

2. VREF pin

Because the VREF pin serves for input of the set current reference voltage, precautions against noise must be taken. The input voltage range is 0 to 3.0V.

3. GND pin

The ground circuit for this IC must be designed so as to allow for high-current switching. Blocks where high current flows must use low-impedance patterns and must be removed from small-signal lines. Especially the ground connection for the sensing resistor RE at pin E, and the ground connection for the Schottky barrier diodes should be in close proximity to the IC ground.

The capacitors between VCC and ground, and VBB and ground should be placed close to the VCC and VBB pins, respectively.

4. Simultaneous ON prevention function

This IC incorporates a circuit to prevent feedthrough current when phase switching. For reference, the output ON and OFF delay times at PHASE and ENABLE switching are given below.

Reference data * typical value

		Sink side	Source side
PHASE switching (Low → High)	ON delay time	1.9μs	2.2μs
	OFF delay time	0.8μs	1.8μs
PHASE switching (High → Low)	ON delay time	1.4μs	1.7μs
	OFF delay time	0.9μs	1.35μs
ENABLE switching	ON delay time	2.15μs	2.75μs
	OFF delay time	1.2μs	5.8μs

5. Noise canceler

This IC has a noise canceling function to prevent malfunction due to noise spikes generated when switching ON. The noise cancel time t_n is determined by internal resistance of the CR pin and the constant of the externally connected CR components. The constant also determines the switching OFF time.

Figure 1 shows the internal configuration at the CR pin, and Figure 2 shows the CR pin constant setting range.

Equation when logic voltage $V_{CC} = 5V$

CR pin voltage $E1 = V_{CC} \cdot R / (R1 + R2 + R)$ [V]

Noise cancel time $t_n \approx (R1 + R2) \cdot C \cdot \ln \{ (E1 - 1.5) / (E1 - 4.0) \}$ [s]

Switching OFF time $t_{off} \approx -R \cdot C \cdot \ln (1.5 / E1)$ [s]

Internal resistance at CR pin : $R1 = 1k\Omega$, $R2 = 300\Omega$ (typ.)

*The CR constant setting range in Figure 2 on page 16 is given for reference. It applies to a switching OFF time in the range from 8 to 100μs. The switching time can also be made higher than 100μs. However, a capacitor value of more than several thousand pF will result in longer noise canceling time, which can cause the output current to become higher than the set current. The longer switching OFF time results in higher output current ripple, causing a drop in average current and rotation efficiency. When keeping the switching OFF time within 100μs, it is recommended to stay within the CR constant range shown in Figure 2.

Internal configuration at CR pin

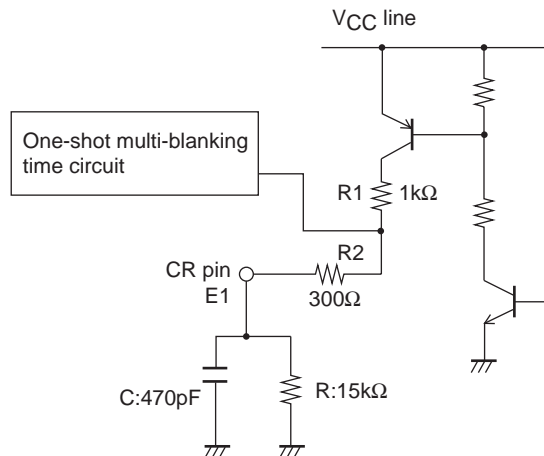


Figure 1

Switching OFF Time and CR Setting Range
(t_{off} time : approx. 8 to 100 μ s)

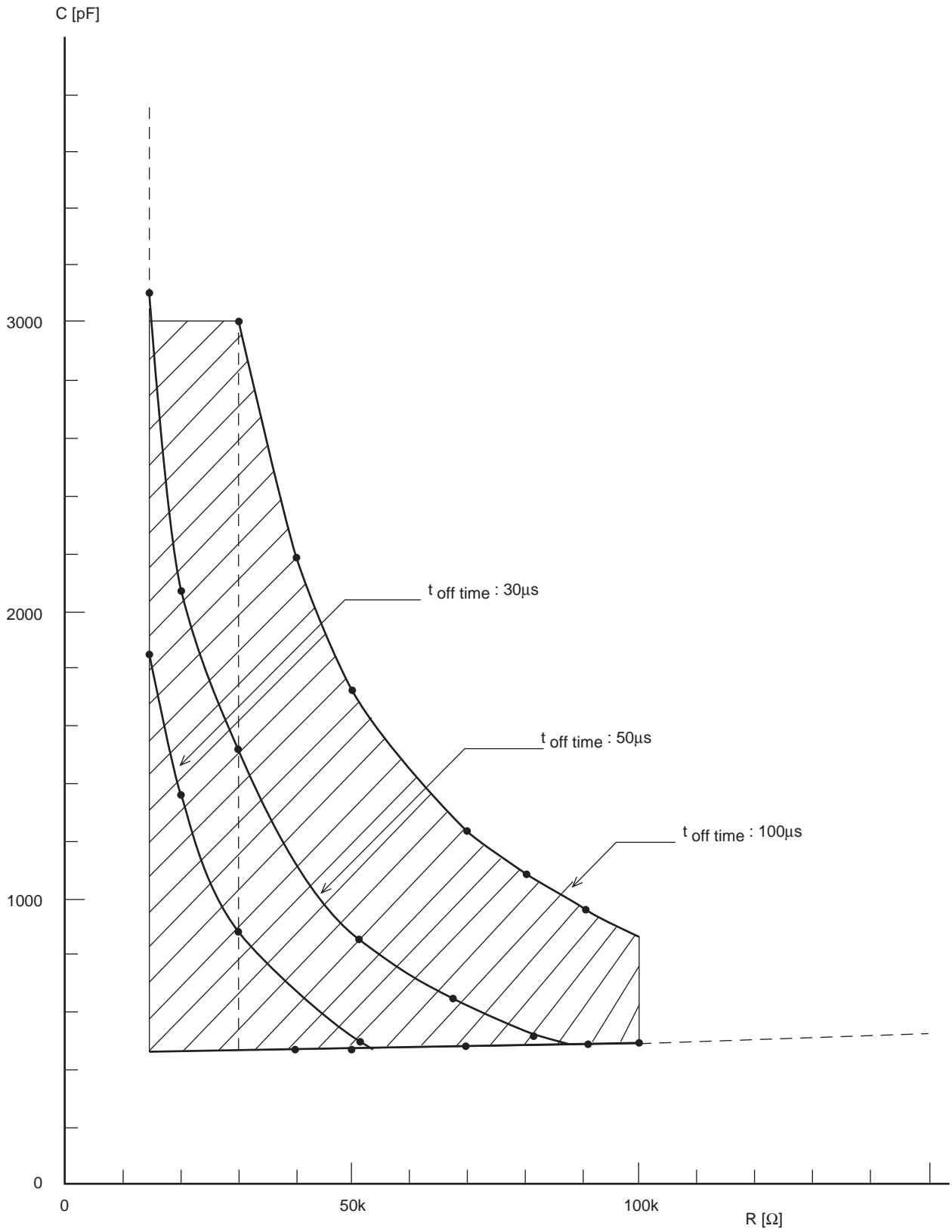
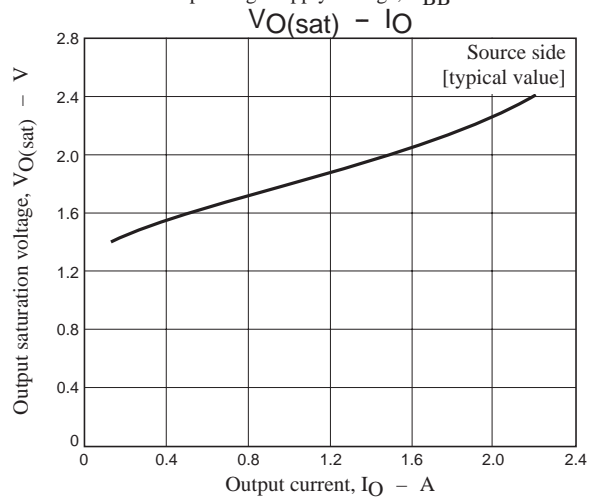
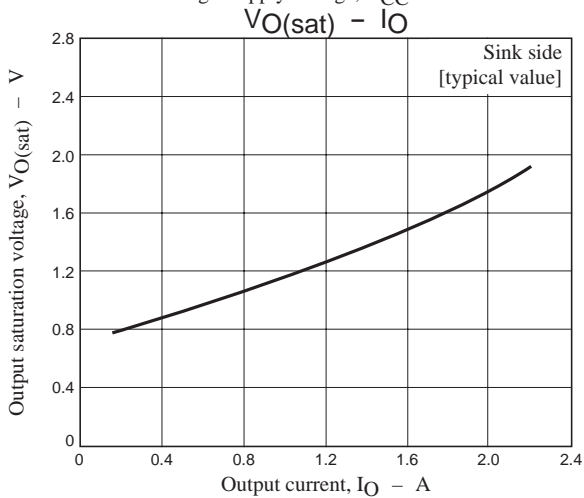
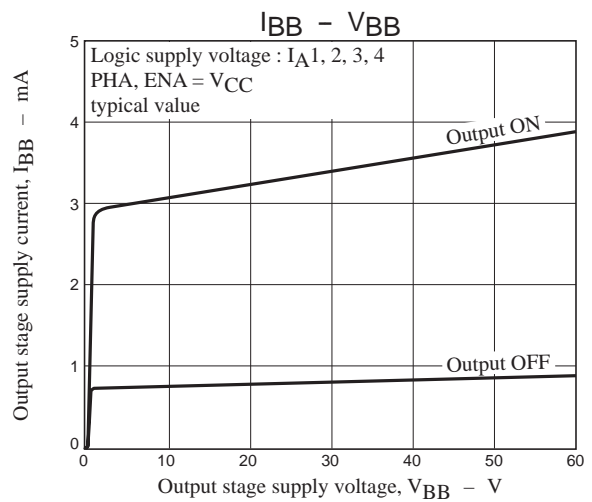
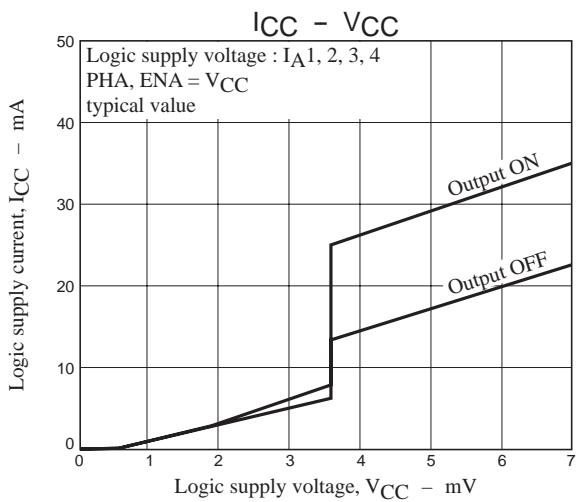


Figure 2



- SANYO Semiconductor Co.,Ltd. assumes no responsibility for equipment failures that result from using products at values that exceed, even momentarily, rated values (such as maximum ratings, operating condition ranges, or other parameters) listed in products specifications of any and all SANYO Semiconductor Co.,Ltd. products described or contained herein.
- SANYO Semiconductor Co.,Ltd. strives to supply high-quality high-reliability products, however, any and all semiconductor products fail or malfunction with some probability. It is possible that these probabilistic failures or malfunction could give rise to accidents or events that could endanger human lives, trouble that could give rise to smoke or fire, or accidents that could cause damage to other property. When designing equipment, adopt safety measures so that these kinds of accidents or events cannot occur. Such measures include but are not limited to protective circuits and error prevention circuits for safe design, redundant design, and structural design.
- In the event that any or all SANYO Semiconductor Co.,Ltd. products described or contained herein are controlled under any of applicable local export control laws and regulations, such products may require the export license from the authorities concerned in accordance with the above law.
- No part of this publication may be reproduced or transmitted in any form or by any means, electronic or mechanical, including photocopying and recording, or any information storage or retrieval system, or otherwise, without the prior written consent of SANYO Semiconductor Co.,Ltd.
- Any and all information described or contained herein are subject to change without notice due to product/technology improvement, etc. When designing equipment, refer to the "Delivery Specification" for the SANYO Semiconductor Co.,Ltd. product that you intend to use.
- Information (including circuit diagrams and circuit parameters) herein is for example only; it is not guaranteed for volume production.
- Upon using the technical information or products described herein, neither warranty nor license shall be granted with regard to intellectual property rights or any other rights of SANYO Semiconductor Co.,Ltd. or any third party. SANYO Semiconductor Co.,Ltd. shall not be liable for any claim or suits with regard to a third party's intellectual property rights which has resulted from the use of the technical information and products mentioned above.

This catalog provides information as of September, 2008. Specifications and information herein are subject to change without notice.