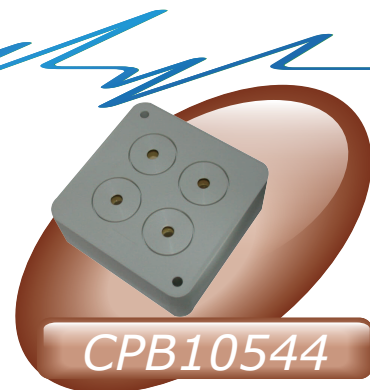
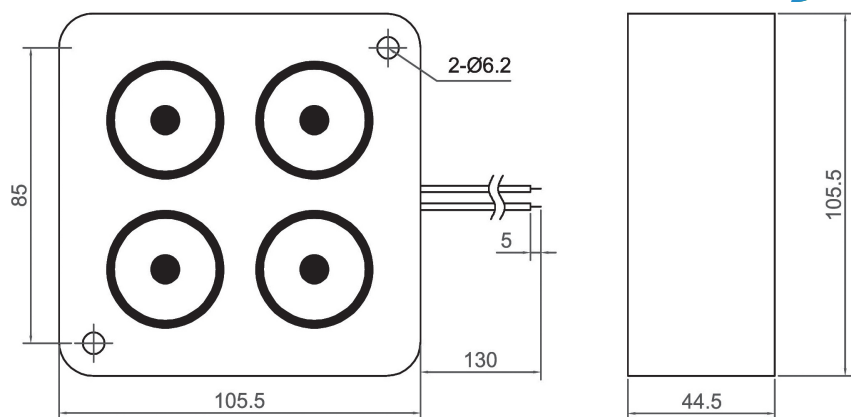


Piezo Buzzer (DC)



| Canopus Part no. | Operating Voltage (VDC) | Rated Voltage (VDC) | Max Rated Current (mA) | Min Sound Output (dBA) | Resonant Frequency (Hz) | Tone Nature | Operating Temperature (°C) | Housing | Weight (g) |
|------------------|-------------------------|---------------------|------------------------|------------------------|-------------------------|-------------|----------------------------|---------|------------|
| CPB10544HM15BW | 6 ~ 15 | 12 | 190 | 97 at 3m | 1500 ~ 3100 | Siren | -20 ~ +60 | ABS | 190 |
| CPB10544HT26BW | 6 ~ 15 | 12 | 190 | 102 at 3m | 2600 ~ 2800 | Two | -20 ~ +60 | ABS | 190 |
| CPB10544IM15BW | 16 ~ 28 | 24 | 190 | 97 at 3m | 1500 ~ 3100 | Siren | -20 ~ +60 | ABS | 190 |
| CPB10544IT26BW | 16 ~ 28 | 24 | 190 | 102 at 3m | 2600 ~ 2800 | Two | -20 ~ +60 | ABS | 190 |

CANOPUS

Your Efficient Supplier
www.canopus.com.hk

TEL.: (852) 2806 2812

Fax: (852) 2652 2216