

PLEASE CHECK WWW.MOLEX.COM FOR LATEST PART INFORMATION

Part Number: [0850560036](#)
Status: **Active**
Overview: [din_41612](#)
Description: 2.54mm (.100") Pitch DIN 41612/IEC 603-2 Mixed Layout Connector, Female Style M Inverse, 42 Circuits, Lead free

Documents:

[3D Model](#) [RoHS Certificate of Compliance \(PDF\)](#)
[Drawing \(PDF\)](#)

Agency Certification

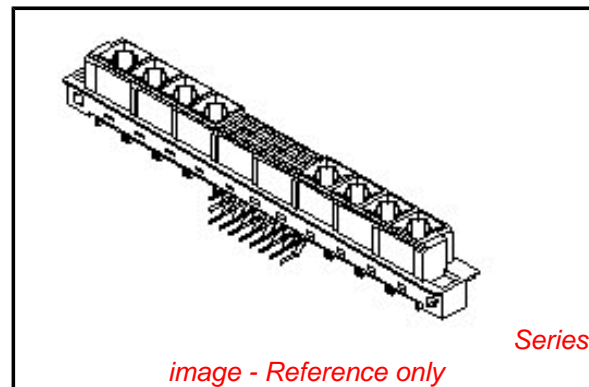
CSA LR19980
 UL E29179

General

Product Family Backplane Connectors
 Series [85056](#)
 Application Daughtercard
 Component Type PCB Receptacle
 Overview [din_41612](#)
 Product Name IEC 603-2/DIN 41612
 Style M

Physical

Circuits (Loaded) 42
 Circuits (maximum) 48
 Circuits Detail Standard Contacts at A:a10-a23; B:b10-b23; C:c10-c23
 Durability (mating cycles max) 400
 First Mate / Last Break No
 Flammability 94V-0
 Guide to Mating Part No
 Keying to Mating Part Yes
 Material - Plating Mating Gold
 Material - Plating Termination Tin
 Number of Columns 14
 Number of Pairs Open Pin Field
 Number of Rows 3
 Orientation Right Angle
 PC Tail Length (in) 0.133 In
 PC Tail Length (mm) 3.40 mm
 PCB Locator No
 PCB Retention Yes
 PCB Thickness Recommended (in) 0.063 In, 0.126 In
 PCB Thickness Recommended (mm) 1.60 mm, 3.20 mm
 Packaging Type Tray
 Pitch - Mating Interface (in) 0.100 In
 Pitch - Mating Interface (mm) 2.54 mm
 Pitch - Term. Interface (in) 0.100 In
 Pitch - Term. Interface (mm) 2.54 mm
 Plating min: Mating (µin) 24
 Plating min: Mating (µm) 0.60
 Polarized to PCB Yes
 Stackable No
 Surface Mount Compatible (SMC) No
 Temperature Range - Operating -55°C to +125°C
 Termination Interface: Style Through Hole



EU RoHS

ELV and RoHS Compliant
REACH SVHC
 Not Reviewed
Halogen-Free Status
 Not Reviewed

China RoHS



Need more information on product environmental compliance?

Email productcompliance@molex.com
 For a multiple part number RoHS Certificate of Compliance, [click here](#)

Please visit the [Contact Us](#) section for any non-product compliance questions.

Search Parts in this Series

[85056Series](#)

Mates With

DIN 41612/EIC 603-2 Mixed Layout Connectors [85009](#) , [85017](#)

Use With

[85022](#)

Electrical

Current - Maximum per Contact	2.5A
Data Rate	622.0 Mbps
Real Signals (per 25mm)	30
Voltage - Maximum	250V AC (RMS)

Solder Process Data

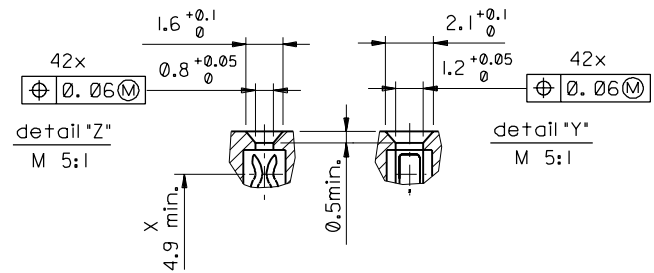
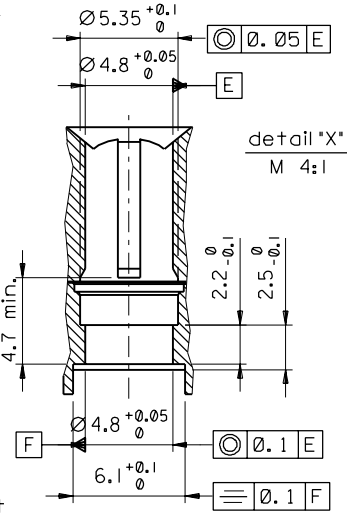
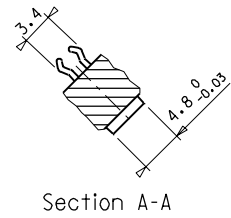
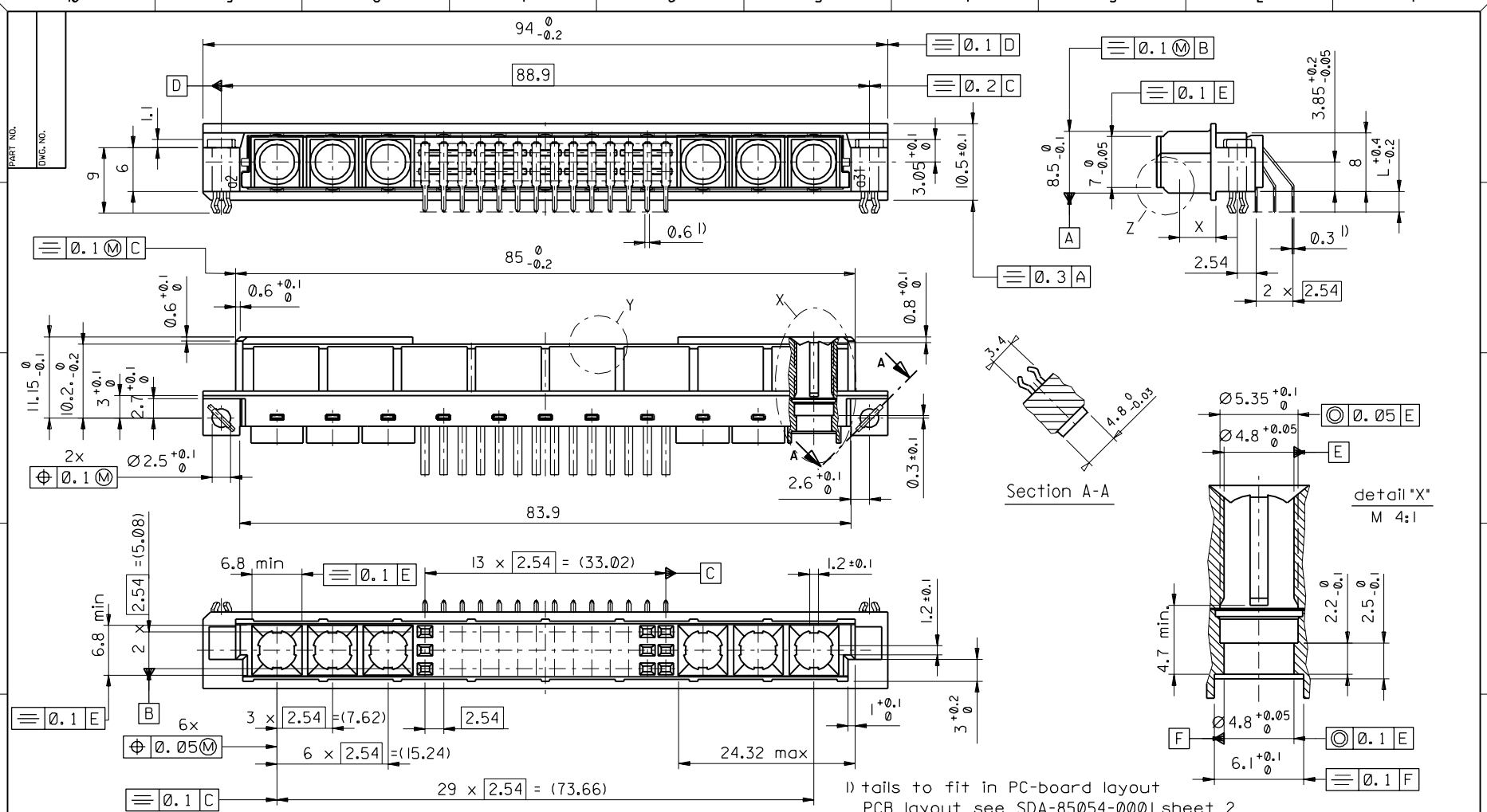
Duration at Max. Process Temperature (seconds)	10
Lead-free Process Capability	Wave Capable (TH only)
Process Temperature max. C	260

Material Info**Reference - Drawing Numbers**

Sales Drawing	SD-85056-0003, SD-85056-0036
---------------	------------------------------

This document was generated on 05/17/2010

PLEASE CHECK WWW.MOLEX.COM FOR LATEST PART INFORMATION



1) tails to fit in PC-board layout
PCB layout see SDA-85054-0001 sheet 2

FIRST ANGLE PROJECTION		REVISE ONLY ON CAD SYSTEM		SH.	REV.
UNLESS OTHERWISE SPECIFIED TOLERANCES: ANGULAR $\pm 2^\circ$		DRWG BY	SIGN	CAD/CAM PROJECT NAME	
INCH METRIC		KN		85056000	
3 PLACE \pm		CHK'D BY	SIGN	THIS DRAWING CONTAINS INFORMATION THAT IS PROPRIETARY TO MOLEX INC. & SHOULD NOT BE USED WITHOUT WRITTEN PERMISSION	
2 PLACE \pm		Ca		TITLE	
1 PLACE \pm		APP'D BY	SIGN	42 pol. Federleiste	
DRAFT WHERE APPLICABLE MUST REMAIN WITHIN DIMENSIONS		JB		42 pos. female connector	
DESIGN DIMENSION <input checked="" type="checkbox"/> MM		SCALE		DIN 41612, style M inverted	
EQUIVALENT DIMENSION <input type="checkbox"/> MM		2:1		MOLEX EUROPE	
IF TWO DIMENSIONS ARE SHOWN THE UPPER IS THE DESIGN DIMENSION, LOWER IS SECONDARY				SHEET NO. DATE	
				1 of 1 97/04/23	
				PART NO. DWG NO. SIZE	
				SD-85056-0003 B	

