

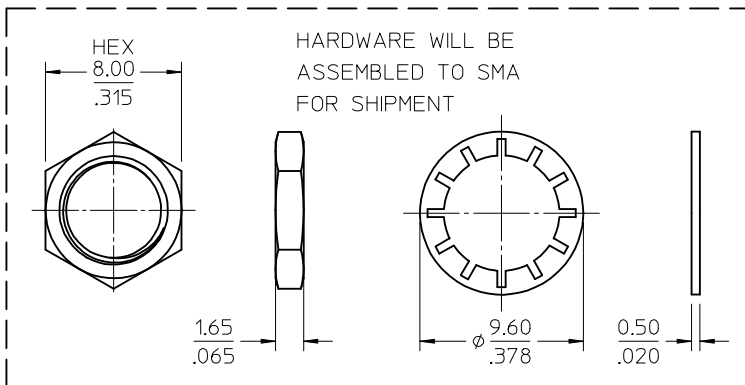
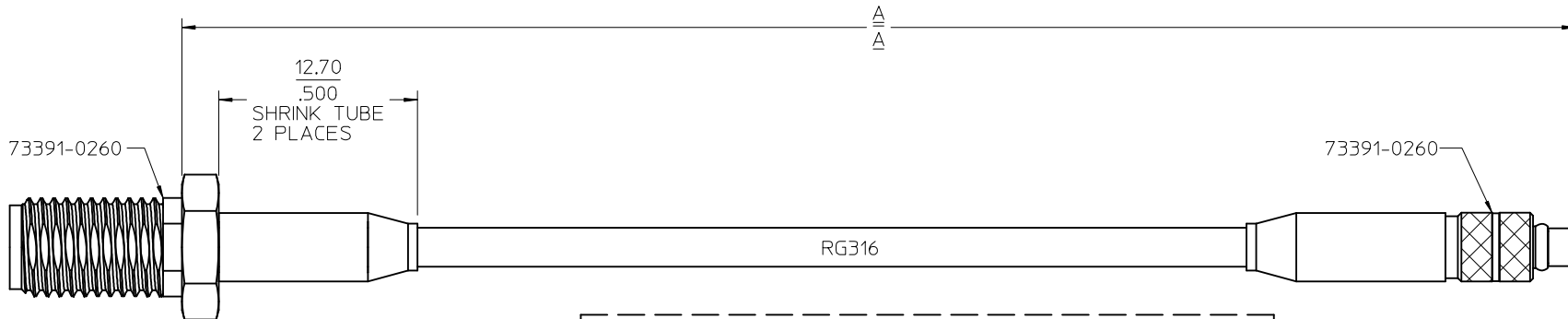
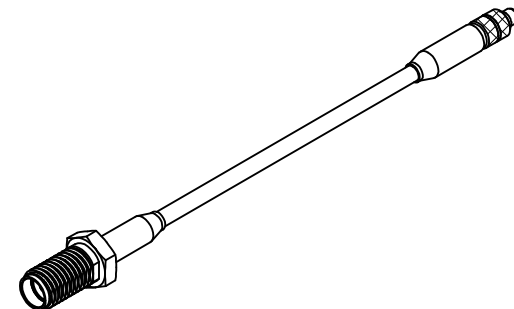
MATERIALS AND FINISHES

SMA JACK: SEE SD-73391-026

MMCX PLUG: SEE SD-73415-125

CABLE: RG316

SHRINK TUBE: VERSAFIT



CABLES WILL BE INDIVIDUALLY BAGGED

BAG LABEL:
MOLEX: P/N
DATE CODE

| | | | |
|------------|----------|------------|-----------|
| 89761-6812 | 18.0±.35 | 457.2±8.89 | POLYBAG |
| 89761-6811 | 12.0±.25 | 304.8±6.35 | POLYBAG |
| 89761-6810 | 6.00±.25 | 152.4±6.35 | POLYBAG |
| PART NO. | IN | MM | PACKAGING |
| A | | | |

| | |
|--------------------------|----------------|
| CECC-22-340 | INTERFACE MMCX |
| MIL-STD-348A, FIG. 310.2 | INTERFACE SMA |
| SPECIFICATION | DESCRIPTION |

| | | | | | | | | | | |
|---|---------------------|------------|--------------------|----------------------|--|-----------------|--|-------|--------------|---------------------------|
| CHG: REGENERATED IN SYSTEM PER RF12-E082 | EC NO: URF2013-0035 | 2012/07/12 | QUALITY SYMBOLS | ▽=0 | GENERAL TOLERANCES (UNLESS SPECIFIED) | DIMENSION STYLE | | SCALE | DESIGN UNITS | THIRD ANGLE PROJECTION |
| | DRWNR:YEH | 2012/07/28 | | ▽=0 | | mm | INCH | 4.5:1 | METRIC | |
| CHKD: | APPR:MHUANG | | ▽=0 | 4 PLACES ± --- ± --- | DRAWN BY | DATE | TITLE CA SMA JACK STR BKHD TO MMCX PLUG STR W/RG316 CA-SMAJ/MMCXP, EWR-3874 | | | |
| | | | | 3 PLACES ± --- ± --- | AZR | 2009/01/08 | | | | |
| | | | | 2 PLACES ± --- ± --- | CHECKED BY | DATE | DOCUMENT NO. SD-89761-681 | | | |
| | | | | 1 PLACE ± --- ± --- | SSS | 2009/01/08 | | | | |
| | | | | 0 PLACE ± --- ± --- | APPROVED BY | DATE | SHEET NO. 1 OF 1 | | | |
| | | | | | JDW | 2009/01/08 | | | | |
| | | | | | MATERIAL NO. | | THIS DRAWING CONTAINS INFORMATION THAT IS PROPRIETARY TO MOLEX INCORPORATED AND SHOULD NOT BE USED WITHOUT WRITTEN PERMISSION | | | |
| | | | | | SEE TABLE | | | | | |
| | | | | | ANGULAR ± 2 ° | | | | | |
| | | | | | DRAFT WHERE APPLICABLE MUST REMAIN WITHIN DIMENSIONS | | | | | |