

PLEASE CHECK WWW.MOLEX.COM FOR LATEST PART INFORMATION

Part Number: [0211000018](#)
Status: **Active**
Overview: [premo flex](#)
Description: 2.54mm (.100") FFC Jumper, (Type A) 5 Circuits, 0.09m (3.54") Length

Documents:

[Drawing \(PDF\)](#) [RoHS Certificate of Compliance \(PDF\)](#)

General

Product Family	Cable
Series	21100
Crimp Quality Equipment	Yes
Geographic Area	Americas
Overview	premo flex
Product Name	Premo-Flex™ FFC Jumper

Physical

Cable Length	0.09m (3.54")
Circuits (Loaded)	N/A
Circuits (maximum)	5
Packaging Type	Bag
Pitch - Term. Interface (in)	0.000 In
Pitch - Term. Interface (mm)	0.00 mm
Temperature Range - Operating	N/A
Wire Size AWG	N/A
Wire/Cable Type	Flat Flex Cable

Electrical

Current - Maximum per Contact	N/A
Voltage - Maximum	N/A

Material Info

Reference - Drawing Numbers

Sales Drawing	21100-0018
---------------	------------



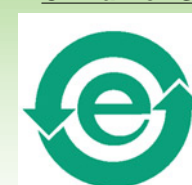
image - Reference only

Series

EU RoHS

**ELV and RoHS
Compliant**
REACH SVHC
 Not Reviewed
**Halogen-Free
Status**
 Not Reviewed

China RoHS



**Need more information on product
environmental compliance?**

Email productcompliance@molex.com
 For a multiple part number RoHS Certificate of
 Compliance, [click here](#)

Please visit the [Contact Us](#) section for any
 non-product compliance questions.

Search Parts in this Series

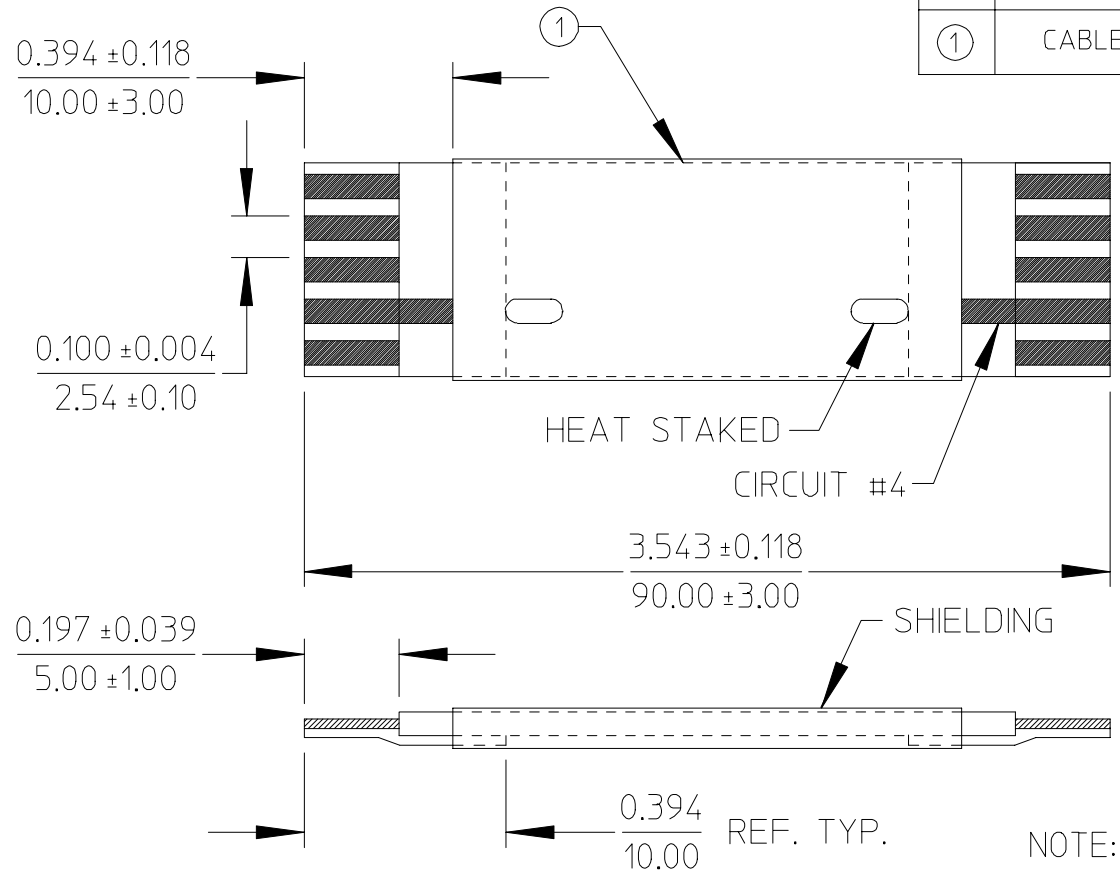
[21100Series](#)

Use With

Any 2.54mm (.100") Pitch Molex FFC/FPC
 connector, Custom specific developed FFC
 connectors

21100

ITEM	DESCRIPTION	P/N	QTY	CKT. SIZE	TEMP. RATING
①	CABLE	21100-0018	3.543"	5	L



NOTE:

1. NO PRINTING TO BE ALLOWED ON CABLE.
2. PACK JUMPER CABLES IN 100 PIECE QTY.

REF. PRODUCT SPEC. NO. SMPS-21100

EC NO: UAU2005-0364 DRWN: DDEMO 2005/02/23 CHK: LEBSORGER APPR: PBERG 2005/02/23	QUALITY SYMBOLS ▽ = 0 ∇ = 0	GENERAL TOLERANCES (UNLESS SPECIFIED)		SCALE 1:1	DESIGN UNITS INCH	THIRD ANGLE PROJECTION		REVISE ON CAD ONLY		
			mm	INCH	DIMENSION STYLE IN/MM		TITLE			
		4 PLACES	± ---	± ---	DRAWN BY DATE		2.54MM FFC JUMPER CABLE STYLE TYPE "A" PDR UAU-001340-00-00			
		3 PLACES	± ---	± .005	DDEMO 05/02/22					
		2 PLACES	± 0.13	± .010	CHECKED BY DATE		MOLEX INCORPORATED			
1 PLACE	± 0.25	± ---	LEBSORGER 05/02/22							
ANGULAR ± 1/2 °		DRAFT WHERE APPLICABLE		APPROVED BY DATE	MATERIAL NO.	DOCUMENT NO.	SHEET NO.			
		MUST REMAIN WITHIN DIMENSIONS		G. PRATT 05/02/25	211000018	21100-0018	1 OF 1			