

**PLEASE CHECK WWW.MOLEX.COM FOR LATEST PART INFORMATION**

**Part Number:** [1200795035](#)  
**Status:** **Active**  
**Overview:** [ultralock connection system](#)  
**Description:** Micro-Change® (M12) Ultra-Lock® Single-Ended Cordset, Male - Pigtail, Straight, 8 Poles, Length 10.0m (32.81' ), Yellow

**Documents:**

[Drawing \(PDF\)](#) [RoHS Certificate of Compliance \(PDF\)](#)

**General**

Product Family	Industrial Cordsets
Series	<a href="#">120079</a>
Connector End A	Ultra-Lock® (M12)
Connector End B	Pigtail
IP Rating	IP69K
Overview	<a href="#">ultralock connection system</a>
Product Name	Micro-Change® (M12), Ultra-Lock® (M12)
Type	Single Ended

**Physical**

Cable Diameter	6.60mm (.260")
Cable Length	10.0m (32.81' )
Color - Cable Jacket	Yellow
Coupling Style	Push to Lock
Gender	Male-Pigtail
Keyway	None
LED Indicator	No
Material - Cable Jacket	PUR
Material - Connector Body	PUR
Material - Contact	Brass
Material - Coupling Nut	Nickel-plated Brass
Material - O-Ring	Viton
Material - Plating Mating	Gold over Nickel
Orientation	Straight
Poles	8
Temperature Range - Operating	-25°C to +90°C
Wire Size AWG	24
Wire/Cable Type	UL 20327

**Electrical**

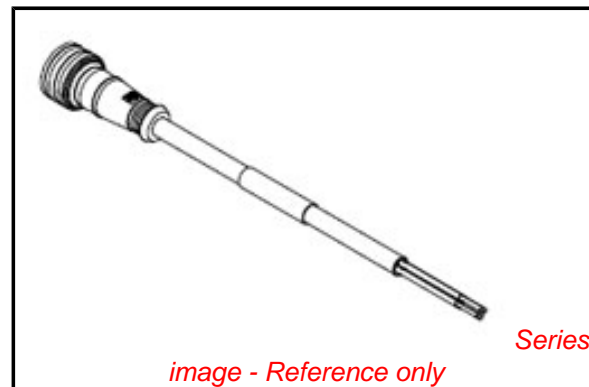
Current - Maximum per Contact	4A
Voltage - Maximum	30V AC/DC

**Material Info**

Old Part Number	W08S06P19M100
-----------------	---------------

**Reference - Drawing Numbers**

Sales Drawing	SD-120083-022
---------------	---------------



**EU RoHS**

**RoHS Compliant by Exemption**  
**REACH SVHC Not Reviewed**  
**Halogen-Free Status Not Reviewed**

**China RoHS**

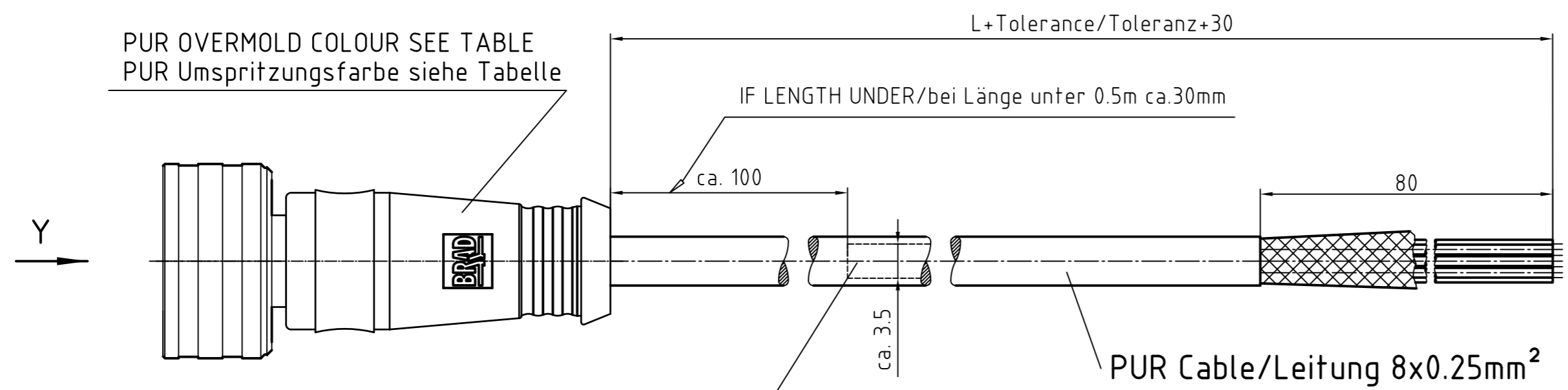


**Need more information on product environmental compliance?**

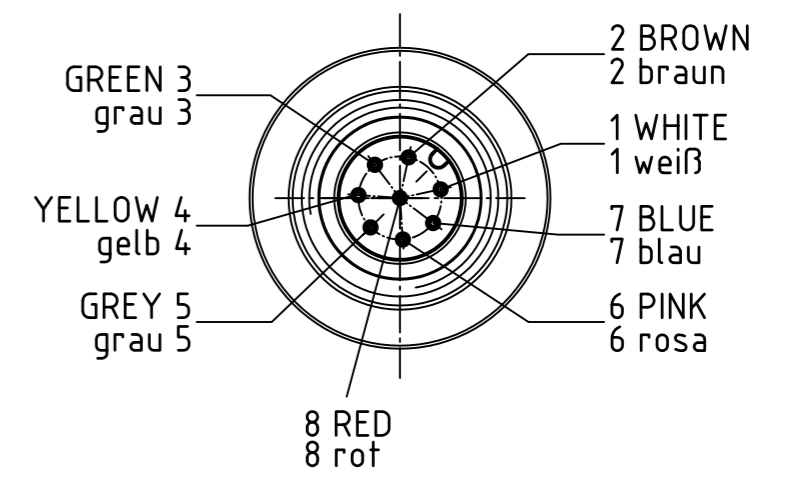
Email [productcompliance@molex.com](mailto:productcompliance@molex.com)  
 For a multiple part number RoHS Certificate of Compliance, [click here](#)

Please visit the [Contact Us](#) section for any non-product compliance questions.

**Search Parts in this Series**  
[120079Series](#)



VIEW/Ansicht X  
MALE CABLE CONNECTOR/Kabelstecker  
8-Pol



CABLE PRINTING:  
Kabelbedruckung: Woodhead Connectivity GmbH "Engineering-Nr" X..

PROD. DATE AS DEFINED IN  
Fertigungsdatum gemäß  
WN 00001

SAP-Nummer	Engineering-Nr.	Umspritzungsfarbe	Länge	Toleranzen
SAP-Number	Engineering-No.	Overmold Colour	Length	Tolerances
1200795033	W08S06P19M020	gelb / yellow	2M	± 25 mm
1200835125	W08S06P19M030	gelb / yellow	3M	
1202010048	W08S06P19M040	gelb / yellow	4M	
1200795034	W08S06P19M050	gelb / yellow	5M	
1202010050	W08S06P19M060	gelb / yellow	6M	± 30 mm
1200795035	W08S06P19M100	gelb / yellow	10M	
1200835139	W08S06P19M030G	schwarz / black	3M	± 25 mm
1200835140	W08S06P19M050G	schwarz / black	5M	
1200835152	W08S06P19M100G	schwarz / black	10M	± 30 mm

(...) DIM FOR INFORMATION  
(...) Informationsmaß

DESCRIPTION EC NO: WEU2010-0123 DRWN: BBRAUCH CHKD: RE APPR: REISSNER 9/25/09 2009/11/23	QUALITY SYMBOLS	GENERAL TOLERANCES (UNLESS SPECIFIED)	DIMENSION STYLE	SCALE	DESIGN UNITS	FIRST ANGLE PROJECTION
	▼ = 0 ▽ = 0	mm INCH 4 PLACES ±---- ±---- 3 PLACES ±---- ±---- 2 PLACES ±0.05 ±---- 1 PLACE ±0.1 ±---- ANGULAR ± ---- °	MM	2:1	METRIC	DRAWN BY: BB DATE: 2009/09/25 CHECKED BY: RE DATE: 2009/10/01 APPROVED BY: REISSNER DATE: 2009/11/20
	DRAFT WHERE APPLICABLE MUST REMAIN WITHIN DIMENSIONS	see table	M12-AU-8P-M-STR-8/25PURSH-XM ---- <b>MOLEX INCORPORATED</b>		DOCUMENT NO.	SHEET NO.
	SIZE A2	THIS DRAWING CONTAINS INFORMATION THAT IS PROPRIETARY TO MOLEX INCORPORATED AND SHOULD NOT BE USED WITHOUT WRITTEN PERMISSION				