



## 10N50

Preliminary

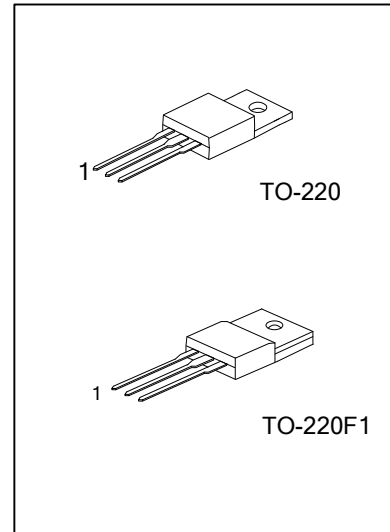
Power MOSFET

### 10A, 500V N-CHANNEL POWER MOSFET

#### DESCRIPTION

The UTC **10N50** is an N-channel mode power MOSFET using UTC's advanced technology to provide customers with planar stripe and DMOS technology. This technology allows a minimum on-state resistance and superior switching performance. It also can withstand high energy pulse in the avalanche and commutation mode.

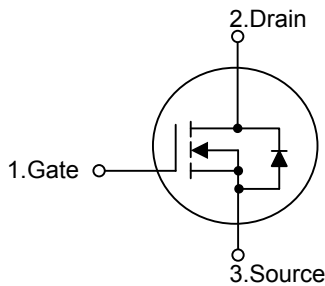
The UTC **10N50** is generally applied in high efficiency switch mode power supplies, active power factor correction and electronic lamp ballasts based on half bridge topology.



#### FEATURES

- \*  $R_{DS(ON)}=0.68\Omega @ V_{GS}=10V$
- \* High Switching Speed
- \* 100% Avalanche Tested

#### SYMBOL



#### ORDERING INFORMATION

Ordering Number		Package	Pin Assignment			Packing
Lead Free	Halogen Free		1	2	3	
10N50L-TA3-T	10N50G-TA3-T	TO-220	G	D	S	Tube
10N50L-TF1-T	10N50G-TF1-T	TO-220F1	G	D	S	Tube

Note: Pin Assignment: G: Gate D: Drain S: Source

<p>10N50L-TA3-T</p> <p>(1)Packing Type</p> <p>(2)Package Type</p> <p>(3)Lead Free</p>	<p>(1) T: Tube</p> <p>(2) TA3: TO-220 ,TF1: TO-220F1</p> <p>(3) G: Halogen Free, L: Lead Free</p>
---	---

■ ABSOLUTE MAXIMUM RATINGS ( $T_C=25^\circ\text{C}$ , unless otherwise specified)

PARAMETER		SYMBOL	RATINGS	UNIT
Drain-Source Voltage		$V_{DSS}$	500	V
Gate-Source Voltage		$V_{GSS}$	$\pm 30$	V
Drain Current	Continuous ( $T_C=25^\circ\text{C}$ )	$I_D$	10 (Note 2)	A
	Pulsed (Note 3)	$I_{DM}$	40 (Note 2)	A
Avalanche Current (Note 3)		$I_{AR}$	10	A
Avalanche Energy	Single Pulsed (Note 4)	$E_{AS}$	388	mJ
	Repetitive (Note 5)	$E_{AR}$	14.3	mJ
Peak Diode Recovery dv/dt (Note 5)		dv/dt	4.5	V/ns
Power Dissipation	TO-220	$P_D$	143	W
	TO-220F1		48	
Derate above $25^\circ\text{C}$	TO-220		1.14	W/ $^\circ\text{C}$
	TO-220F1		0.38	
Junction Temperature		$T_J$	+150	$^\circ\text{C}$
Storage Temperature		$T_{STG}$	-55~+150	$^\circ\text{C}$

Note: 1. Absolute maximum ratings are those values beyond which the device could be permanently damaged.

Absolute maximum ratings are stress ratings only and functional device operation is not implied.

2. Drain current limited by maximum junction temperature
3. Repetitive Rating: Pulse width limited by maximum junction temperature
4.  $L = 7\text{mH}$ ,  $I_{AS} = 10\text{A}$ ,  $V_{DD} = 50\text{V}$ ,  $R_G = 25\Omega$ , Starting  $T_J = 25^\circ\text{C}$
5.  $I_{SD} \leq 10\text{A}$ ,  $di/dt \leq 200\text{A}/\mu\text{s}$ ,  $V_{DD} \leq BV_{DSS}$ , Starting  $T_J = 25^\circ\text{C}$

■ THERMAL DATA

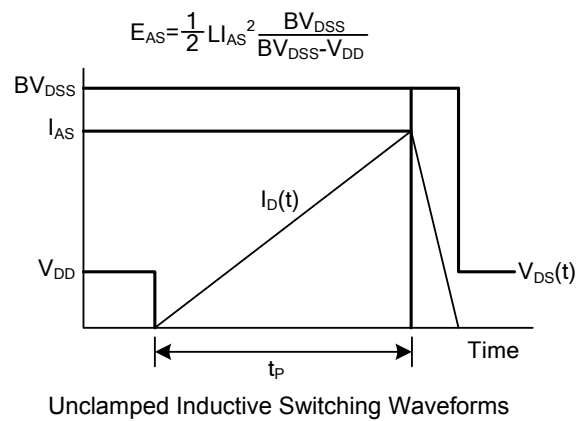
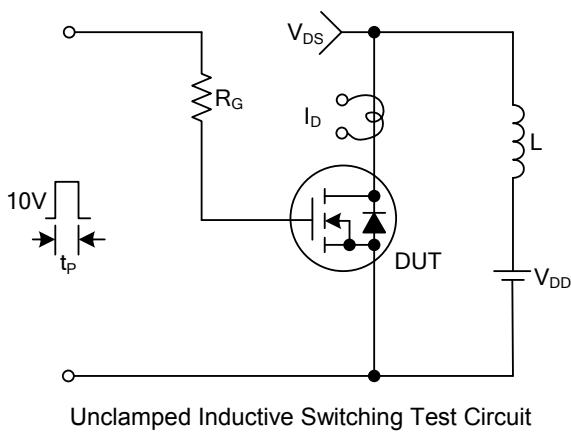
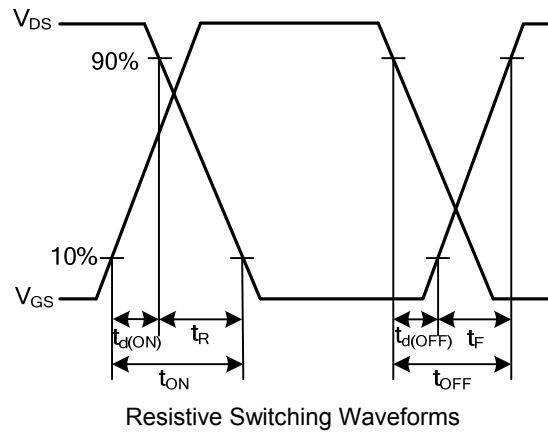
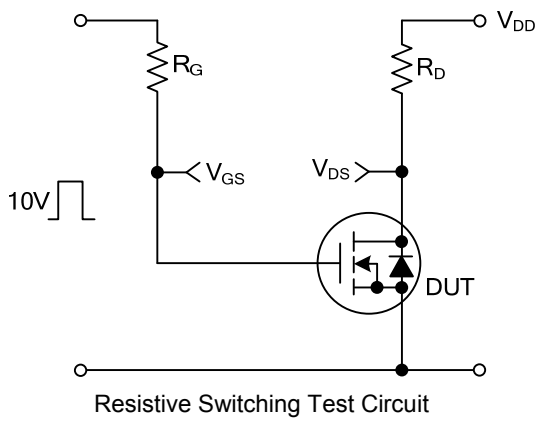
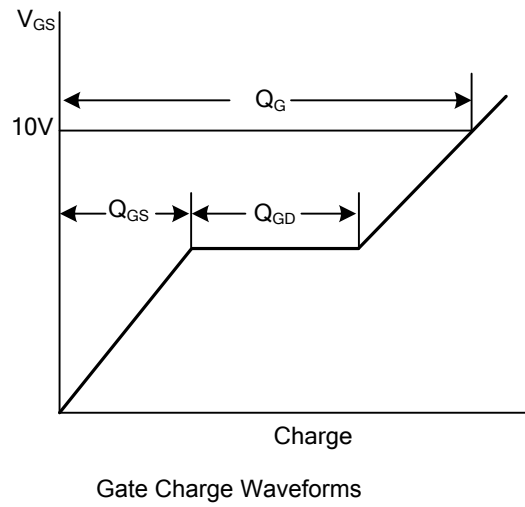
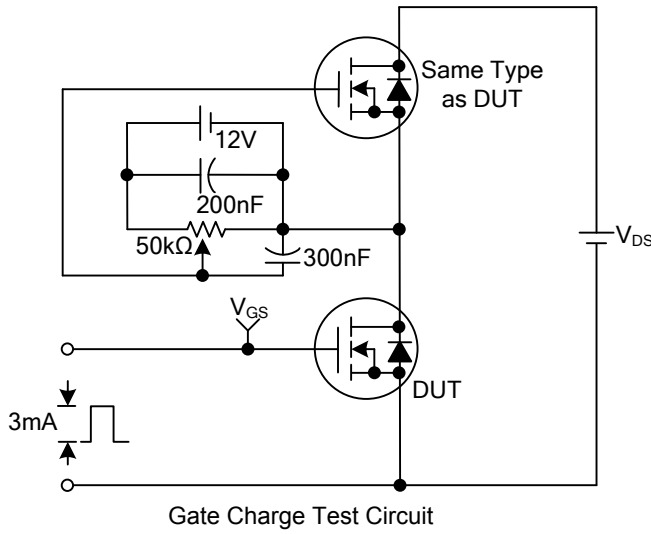
PARAMETER		SYMBOL	RATINGS	UNIT
Junction to Ambient		$\theta_{JA}$	62.5	$^\circ\text{C}/\text{W}$
Junction to Case	TO-220	$\theta_{JC}$	0.87	$^\circ\text{C}/\text{W}$
	TO-220F1		2.58	

■ ELECTRICAL CHARACTERISTICS ( $T_c=25^\circ\text{C}$ , unless otherwise specified)

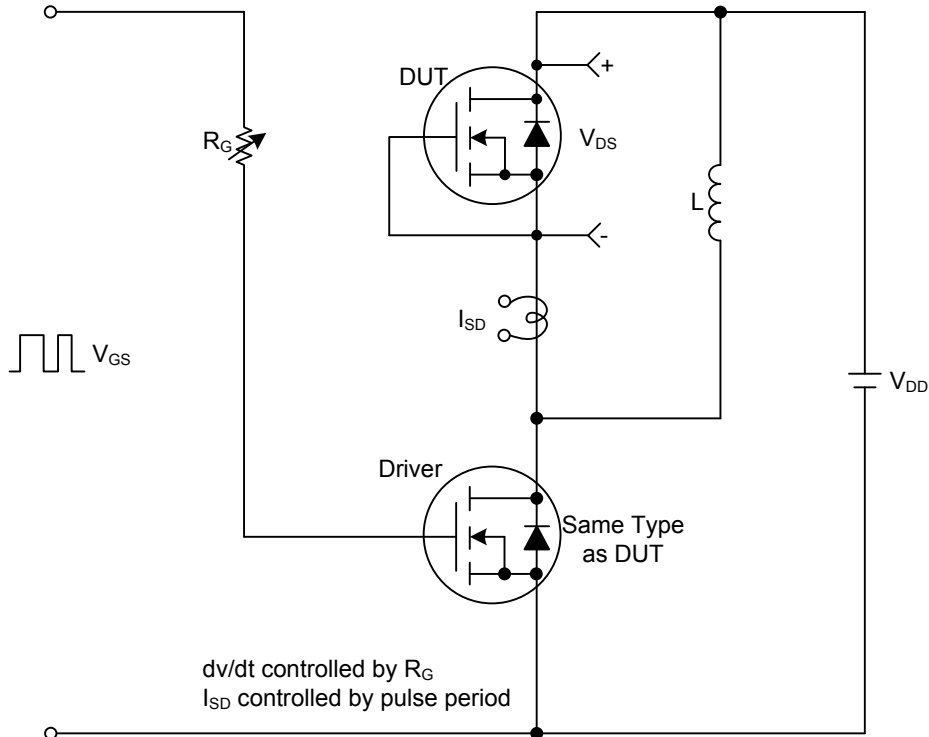
PARAMETER	SYMBOL	TEST CONDITIONS	MIN	TYP	MAX	UNIT	
<b>OFF CHARACTERISTICS</b>							
Drain-Source Breakdown Voltage	$BV_{DSS}$	$I_D=250\mu\text{A}$ , $V_{GS}=0\text{V}$	500			V	
Drain-Source Leakage Current	$I_{DSS}$	$V_{DS}=500\text{V}$ , $V_{GS}=0\text{V}$			10	$\mu\text{A}$	
Gate- Source Leakage Current	Forward	$I_{GSS}$			+100	nA	
	Reverse				-100	nA	
<b>ON CHARACTERISTICS</b>							
Gate Threshold Voltage	$V_{GS(TH)}$	$V_{DS}=V_{GS}$ , $I_D=250\mu\text{A}$	2.0		4.0	V	
Static Drain-Source On-State Resistance	$R_{DS(ON)}$	$V_{GS}=10\text{V}$ , $I_D=5\text{A}$		0.54	0.68	$\Omega$	
<b>DYNAMIC PARAMETERS</b>							
Input Capacitance	$C_{ISS}$	$V_{GS}=0\text{V}$ , $V_{DS}=25\text{V}$ , $f=1.0\text{MHz}$		1610	2096	pF	
Output Capacitance	$C_{OSS}$				177	230	pF
Reverse Transfer Capacitance	$C_{RSS}$				16	24	pF
<b>SWITCHING PARAMETERS</b>							
Total Gate Charge	$Q_G$	$V_{GS}=10\text{V}$ , $V_{DS}=400\text{V}$ , $I_D=10\text{A}$ (Note 1, 2)		43	56	nC	
Gate to Source Charge	$Q_{GS}$				7.5		nC
Gate to Drain Charge	$Q_{GD}$				18.5		nC
Turn-ON Delay Time	$t_{D(ON)}$	$V_{DD}=250\text{V}$ , $I_D=10\text{A}$ , $R_G=25\Omega$ (Note 1, 2)		29	67	ns	
Rise Time	$t_R$				80	170	ns
Turn-OFF Delay Time	$t_{D(OFF)}$				141	290	ns
Fall-Time	$t_F$				80	165	ns
<b>SOURCE- DRAIN DIODE RATINGS AND CHARACTERISTICS</b>							
Maximum Body-Diode Continuous Current	$I_S$				10	A	
Maximum Body-Diode Pulsed Current	$I_{SM}$				40	A	
Drain-Source Diode Forward Voltage	$V_{SD}$	$I_S=10\text{A}$ , $V_{GS}=0\text{V}$			1.4	V	
Body Diode Reverse Recovery Time	$t_{rr}$	$I_S=10\text{A}$ , $V_{GS}=0\text{V}$ , $dI_F/dt=100\text{A}/\mu\text{s}$ (Note 1)		50		ns	
Body Diode Reverse Recovery Charge	$Q_{RR}$				0.1		$\mu\text{C}$

- Note: 1. Pulse Test: Pulse width  $\leq 300\mu\text{s}$ , Duty cycle  $\leq 2\%$   
2. Essentially independent of operating temperature

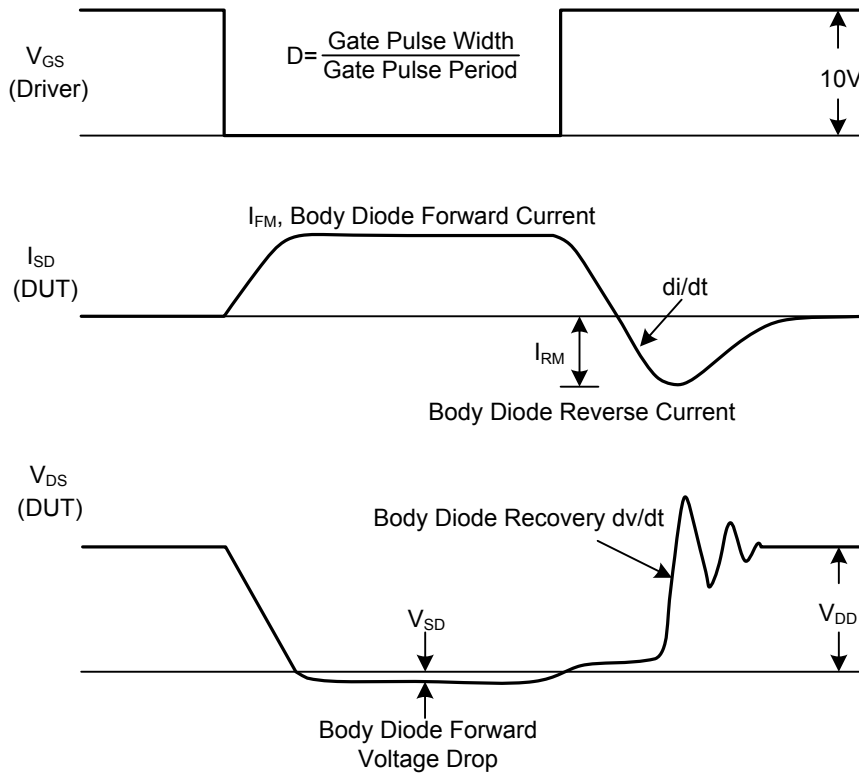
■ TEST CIRCUITS AND WAVEFORMS



■ TEST CIRCUITS AND WAVEFORMS(Cont.)



Peak Diode Recovery dv/dt Test Circuit & Waveforms



UTC assumes no responsibility for equipment failures that result from using products at values that exceed, even momentarily, rated values (such as maximum ratings, operating condition ranges, or other parameters) listed in products specifications of any and all UTC products described or contained herein. UTC products are not designed for use in life support appliances, devices or systems where malfunction of these products can be reasonably expected to result in personal injury. Reproduction in whole or in part is prohibited without the prior written consent of the copyright owner. The information presented in this document does not form part of any quotation or contract, is believed to be accurate and reliable and may be changed without notice.