



Product Functional Specification

15 inch SXGA+ Color TFT LCD Module
Model Name : B150PG01 V.0

() Preliminary Specification
(◆) Final Specification

Note: This Specification is subject to change without notice.

I. Contents

- 1.0 Handling Precautions
- 2.0 General Description
 - 2.1 Characteristics
 - 2.2 Functional Block Diagram
- 3.0 Absolute Maximum Ratings
- 4.0 Optical Characteristics
- 5.0 Signal Interface
 - 5.1 Connectors
 - 5.2 Signal Pin
 - 5.3 Signal Description
 - 5.4 Signal Electrical Characteristics
 - 5.5 Signal for Lamp Connector
- 6.0 Pixel Format Image
- 7.0 Parameter Guide Line for CFL Inverter
- 8.0 Interface Timings
 - 8.1 Timing Characteristics
 - 8.2 Timing Definition
- 9.0 Power Consumption
- 10.0 Power ON/OFF Sequence
- 11.0 Mechanical Characteristics
- 12.0 EDID Information

II Record of Revision

| Version and Date | Page | Old description | New Description | Remark |
|------------------|------|-----------------------------|-------------------------------|--------|
| 0.1. 2001/8/13 | All | First Edition for Customer | All | |
| 0.2 2001/12/12 | 5 | (Tr, Tf)= (35,15) | (Tr, Tf)= (15,35) | |
| 0.3 2002/3/5 | 8 | | Update CIE | |
| 0.3 2002/3/5 | 9 | | Update pin assignment | |
| 0.4 2002/4/23 | 5,8 | | Add luminance uniformity | |
| 0.5 2003/2/07 | 16 | Lamp off falling time = 0ms | Lamp off falling time = 180ms | |
| 0.6 2003/10/03 | 9 | | Optical measurement position | |
| 0.7 2004/7/28 | 20 | N/A | Add EDID information | |

(C) Copyright AU Optronics, Inc.

August, 2001 All Rights Reserved.

B150PG01 Ver. 07

2/23

No Reproduction and Redistribution Allowed.

1.0 Handling Precautions

- 1) Since front polarizer is easily damaged, pay attention not to scratch it.
- 2) Be sure to turn off power supply when inserting or disconnecting from input connector.
- 3) Wipe off water drop immediately. Long contact with water may cause discoloration or spots.
- 4) When the panel surface is soiled, wipe it with absorbent cotton or other soft cloth.
- 5) Since the panel is made of glass, it may break or crack if dropped or bumped on hard surface.
- 6) Since CMOS LSI is used in this module, take care of static electricity and insure human earth when handling.
- 7) Do not open nor modify the Module Assembly.
- 8) Do not press the reflector sheet at the back of the module to any directions.
- 9) In case if a Module has to be put back into the packing container slot after once it was taken out from the container, do not press the center of the CCFL Reflector edge. Instead, press at the far ends of the CFL Reflector edge softly. Otherwise the TFT Module may be damaged.
- 10) At the insertion or removal of the Signal Interface Connector, be sure not to rotate nor tilt the Interface Connector of the TFT Module.
- 11) After installation of the TFT Module into an enclosure (Notebook PC Bezel, for example), do not twist nor bend the TFT Module even momentary. At designing the enclosure, it should be taken into consideration that no bending/twisting forces are applied to the TFT Module from outside. Otherwise the TFT Module may be damaged.
- 12) Cold cathode fluorescent lamp in LCD contains a small amount of mercury. Please follow local ordinances or regulations for disposal.
- 13) Small amount of materials having no flammability grade is used in the LCD module. The LCD module should be supplied by power complied with requirements of Limited Power Source(2.11, IEC60950 or UL1950), or be applied exemption.
- 14) The LCD module is designed so that the CFL in it is supplied by Limited Current Circuit(2.4, IEC60950 or UL1950). Do not connect the CFL in Hazardous Voltage Circuit.

2.0 General Description

This specification applies to the 15.0 inch Color TFT/LCD Module B150PG01.

This module is designed for a display unit of notebook style personal computer.

The screen format is intended to support the SXGA+ (1400(H) x 1050(V)) screen and 262k colors (RGB 6-bits data driver).

All input signals are LVDS interface compatible.

This module does not contain an inverter card for backlight.

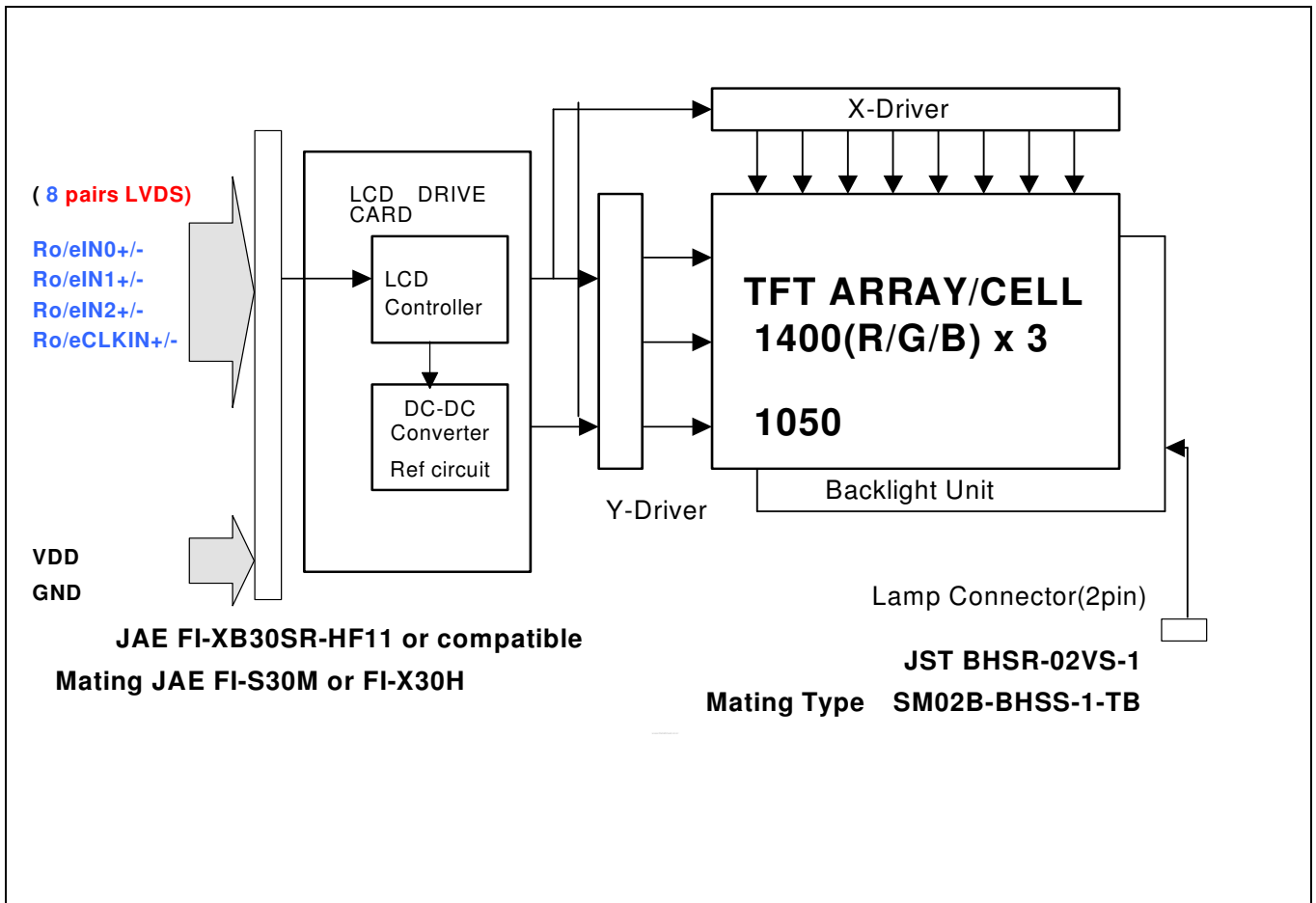
2.1 Display Characteristics

The following items are characteristics summary on the table under 25 °C condition:

| ITEMS | Unit | SPECIFICATIONS |
|--|----------------------|---|
| Screen Diagonal | [mm] | 381 |
| Active Area | [mm] | 304.5 X 228.375 |
| Pixels H x V | | 1400(x3) x 1050 |
| Pixel Pitch | [mm] | 0.2175X0.2175 |
| Pixel Arrangement | | R.G.B. Vertical Stripe |
| Display Mode | | Normally White |
| Typical White Luminance (ICFL=6.0mA) | [cd/m ²] | 150 (5 point average/ typ .) 120 (5 point average/ min.) |
| Luminance Uniformity | | 1.25 max. (5 pts) 1.65 max. (13pts) |
| Contrast Ratio | | 250 |
| Optical Rise Time/Fall Time | [msec] | 15/35 |
| Nominal Input Voltage VDD | [Volt] | +3.3 Typ. |
| Typical Power Consumption (VDD line + VCFL line) | [Watt] | 5.7W |
| Weight | [Grams] | 550g typ. |
| Physical Size | [mm] | 317.3 x 242.0 x 6.0 max. |
| Electrical Interface | | 2 channel LVDS |
| Support Color | | Native 262K colors (RGB 6-bit data driver) |
| Temperature Range Operating Storage (Shipping) | [°C] [°C] | 0 to +50 -20 to +60 |

2.2 Functional Block Diagram

The following diagram shows the functional block of the 15.0 inches Color TFT/LCD Module:



3.0 Absolute Maximum Ratings

Absolute maximum ratings of the module is as following:

| Item | Symbol | Min | Max | Unit | Conditions |
|-------------------------|--------|------|------------------------|-------------|-----------------|
| Logic/LCD Drive Voltage | VDD | -0.3 | +4.0 | [Volt] | |
| Input Voltage of Signal | Vin | -0.3 | VDD+0.3 | [Volt] | |
| CCFL Current | ICFL | - | 7 | [mA] rms | |
| CCFL Ignition Voltage | Vs | - | 1150 | Vrms | |
| Operating Temperature | TOP | 0 | +50 | [°C] | Note 1 |
| Operating Humidity | HOP | 8 | 95 | [%RH] | Note 1 |
| Storage Temperature | TST | -20 | +60 | [°C] | Note 1 |
| Storage Humidity | HST | 5 | 95 | [%RH] | Note 1 |
| Vibration | | | 1.5 10-500 (random) | G Hz | 2hr/axis, X,Y,Z |
| Shock | | | 220 , 2 | G ms | Half sine wave |

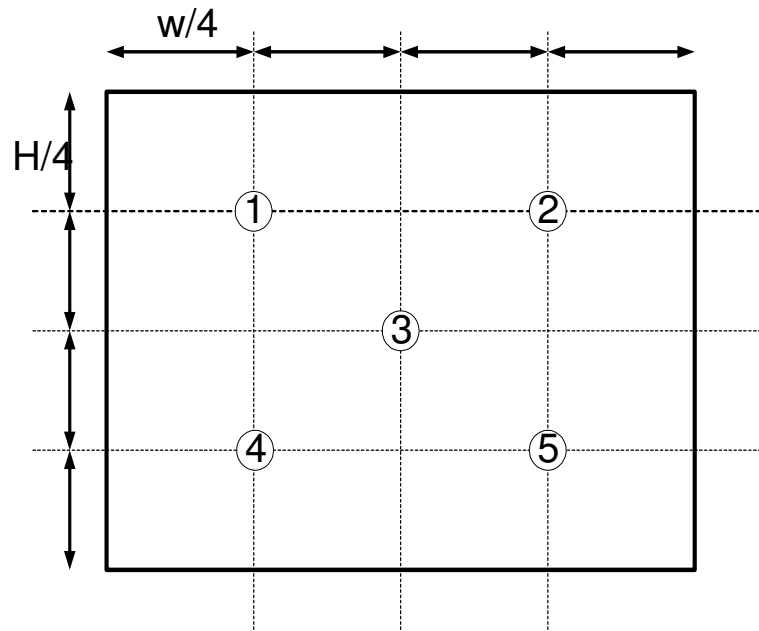
Note 1 : Maximum Wet-Bulb should be 39°C and No condensation.

4.0 Optical Characteristics

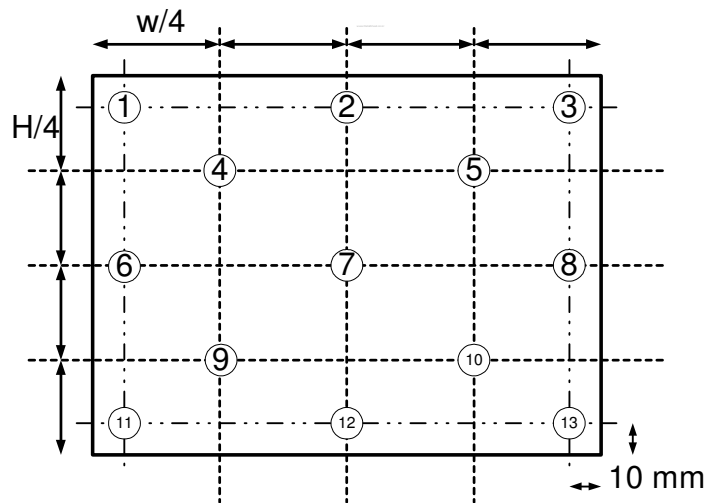
The optical characteristics are measured under stable conditions as follows under 25°C condition:

| Item | | Conditions | Min. | Typ. | Max. |
|--------------------------------------|----------------------|-------------------------------------|--------------------------|--------------------------|-----------------------------|
| Viewing Angle | [degree] [degree] | Horizontal (Right) K = 10 (Left) | 40 40 | | |
| K: Contrast Ratio | [degree] [degree] | Vertical (Upper) K = 10 (Lower) | 10 30 | | |
| Contrast ratio | | | | 250 | |
| Luminance Uniformity | | | | | 1.25 (5pts) 1.65 (13pts) |
| Response Time | [msec] | Rising | | 15 | 45(Max.) |
| (Room Temp.) | [msec] | Falling | | 35 | 45(Max.) |
| Color Chromaticity Coordinates (CIE) | | Red x | 0.538 | 0.568 | 0.598 |
| | | Red y | 0.301 | 0.331 | 0.361 |
| | | Green x | 0.275 | 0.305 | 0.335 |
| | | Green y | 0.518 | 0.548 | 0.578 |
| | | Blue x | 0.121 | 0.151 | 0.181 |
| | | Blue y | 0.102 | 0.132 | 0.162 |
| | | White x | 0.283 | 0.313 | 0.343 |
| | | White y | 0.299 | 0.329 | 0.359 |
| White Luminance (CCFL 6.0 mA) | [cd/m ²] | | 120 (5 points average) | 150 (5 points average) | |

Note 1: 5 points position (Display area)



Note 2: 13 points position



5.0 Signal Interface

5.1 Connectors

Physical interface is described as for the connector on module.

These connectors are capable of accommodating the following signals and will be following components.

| | |
|------------------------------|------------------------------|
| Connector Name / Designation | For Signal Connector |
| Manufacturer | JAE or compatible |
| Type / Part Number | FI-XB30SR-HF11 or compatible |
| Mating Housing/Part Number | FI-X30M, FI-X30C or FI-X30H |
| Mating Contact/Part Number | FI-C3-A1 |

| | |
|------------------------------|--------------------|
| Connector Name / Designation | For Lamp Connector |
| Manufacturer | JST |
| Type / Part Number | BHSR-02VS-1 |
| Mating Type / Part Number | SM02B-BHSS-1-TB |

5.2 Signal Pin

| Pin# | Signal Name | Pin# | Signal Name |
|------|-------------|------|-------------|
| 1 | GND | 2 | VDD |
| 3 | VDD | 4 | VEDID |
| 5 | AGmode | 6 | CLKEDID |
| 7 | DATAEDID | 8 | RoIN0- |
| 9 | RoIN0+ | 10 | GND |
| 11 | RoIN1- | 12 | RoIN1+ |
| 13 | GND | 14 | RoIN2- |
| 15 | RoIN2+ | 16 | GND |
| 17 | RoCLKIN- | 18 | RoCLKIN+ |
| 19 | GND | 20 | ReIN0- |
| 21 | ReIN0+ | 22 | GND |
| 23 | ReIN1- | 24 | ReIN1+ |
| 25 | GND | 26 | ReIN2- |
| 27 | ReIN2+ | 28 | GND |
| 29 | ReCLKIN- | 30 | ReCLKIN+ |

5.3 Signal Description

The module using a LVDS receiver. LVDS is a differential signal technology for LCD interface and high speed data transfer device. Transmitter shall be SN75LVDS84 (negative edge sampling) or compatible.

| Signal Name | Description |
|------------------------|---|
| RoIN0-, RoIN0+ | LVDS differential Odd data input(Red0-Red5, Green0) |
| RoIN1-, RoIN1+ | LVDS differential Odd data input(Green1-Green5, Blue0-Blue1) |
| RoIN2-, RoIN2+ | LVDS differential Odd data input(Blue2-Blue5, Hsync, Vsync, DSPTMG) |
| RoCLKIN-, RoCLKIN0+ | LVDS Odd differential clock input |
| ReIN0-, ReIN0+ | LVDS differential Even data input(Red0-Red5, Green0) |
| ReIN1-, ReIN1+ | LVDS differential Even data input(Green1-Green5, Blue0-Blue1) |
| ReIN2-, ReIN2+ | LVDS differential Even data input(Only Blue2-Blue5) |
| ReCLKIN-, ReCLKIN0+ | LVDS Even differential clock input |
| VDD | +3.3V Power Supply |
| GND | Ground |

Note: Input signals shall be low or Hi-Z state when VDD is off.
Internal circuit of LVDS inputs are as following.

The module uses a 100ohm resistor between positive and negative data lines of each receiver input

| Signal Name | Description | |
|--|--|--|
| RED5 RED4 RED3 RED2 RED1 RED0 | Red Data 5 (MSB) Red Data 4 Red Data 3 Red Data 2 Red Data 1 Red Data 0 (LSB) Red-pixel Data | Red-pixel Data Each red pixel's brightness data consists of these 6 bits pixel data. |
| GREEN 5 GREEN 4 GREEN 3 GREEN 2 GREEN 1 GREEN 0 | Green Data 5 (MSB) Green Data 4 Green Data 3 Green Data 2 Green Data 1 Green Data 0 (LSB) Green-pixel Data | Green-pixel Data Each green pixel's brightness data consists of these 6 bits pixel data. |
| BLUE 5 BLUE 4 BLUE 3 BLUE 2 BLUE 1 BLUE 0 | Blue Data 5 (MSB) Blue Data 4 Blue Data 3 Blue Data 2 Blue Data 1 Blue Data 0 (LSB) Blue-pixel Data | Blue-pixel Data Each blue pixel's brightness data consists of these 6 bits pixel data. |
| DTCLK | Data Clock | The typical frequency is 54.0 MHz. The signal is used to strobe the pixel data and DSPTMG signals. All pixel data shall be valid at the falling edge when the DSPTMG signal is high. |
| DSPTMG | Display Timing | This signal is strobed at the falling edge of DTCLK. When the signal is high, the pixel data shall be valid to be displayed. |
| VSYNC | Vertical Sync | The signal is synchronized to DTCLK . |
| HSYNC | Horizontal Sync | The signal is synchronized to DTCLK . |

Note: Output signals from any system shall be low or Hi-Z state when VDD is off.

5.4 Signal Electrical Characteristics

Input signals shall be low or Hi-Z state when VDD is off.

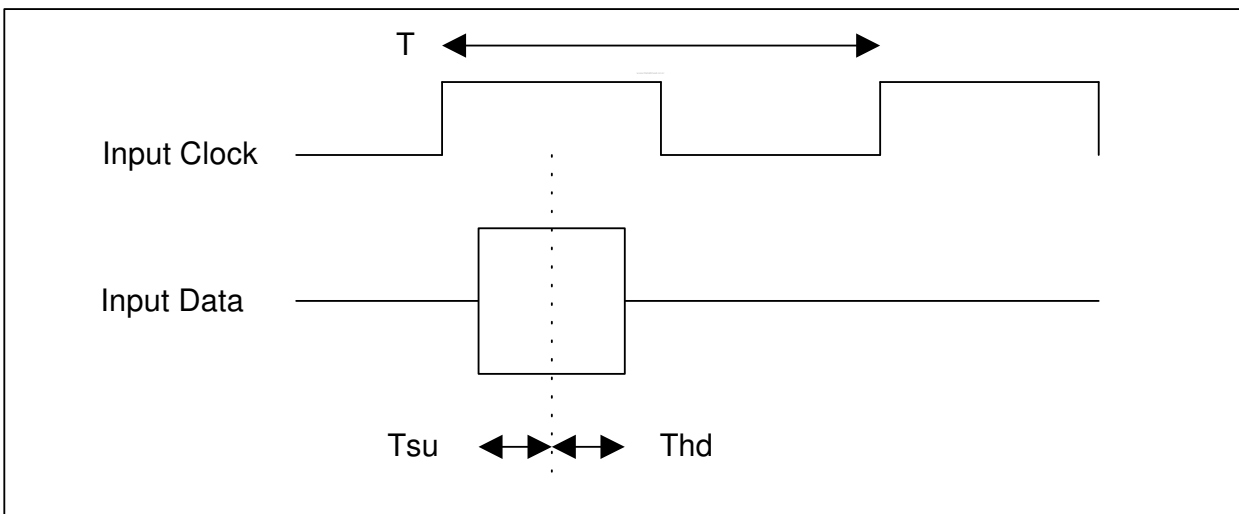
It is recommended to refer the specifications of SN75LVDS86DGG(Texas Instruments) in detail.

Signal electrical characteristics are as follows;

| Parameter | Condition | Min | Max | Unit |
|-----------|---|------|-----|------|
| Vth | Differential Input High Voltage($V_{cm}=+1.2V$) | | 100 | [mV] |
| Vtl | Differential Input Low Voltage($V_{cm}=+1.2V$) | -100 | | [mV] |

LVDS Macro AC characteristics are as follows:

| | Min. | Max. |
|-----------------------|-------|-------|
| Clock Frequency (T) | 51MHZ | 57MHZ |
| Data Setup Time (Tsu) | 500ps | |
| Data Hold Time (Thd) | 500ps | |

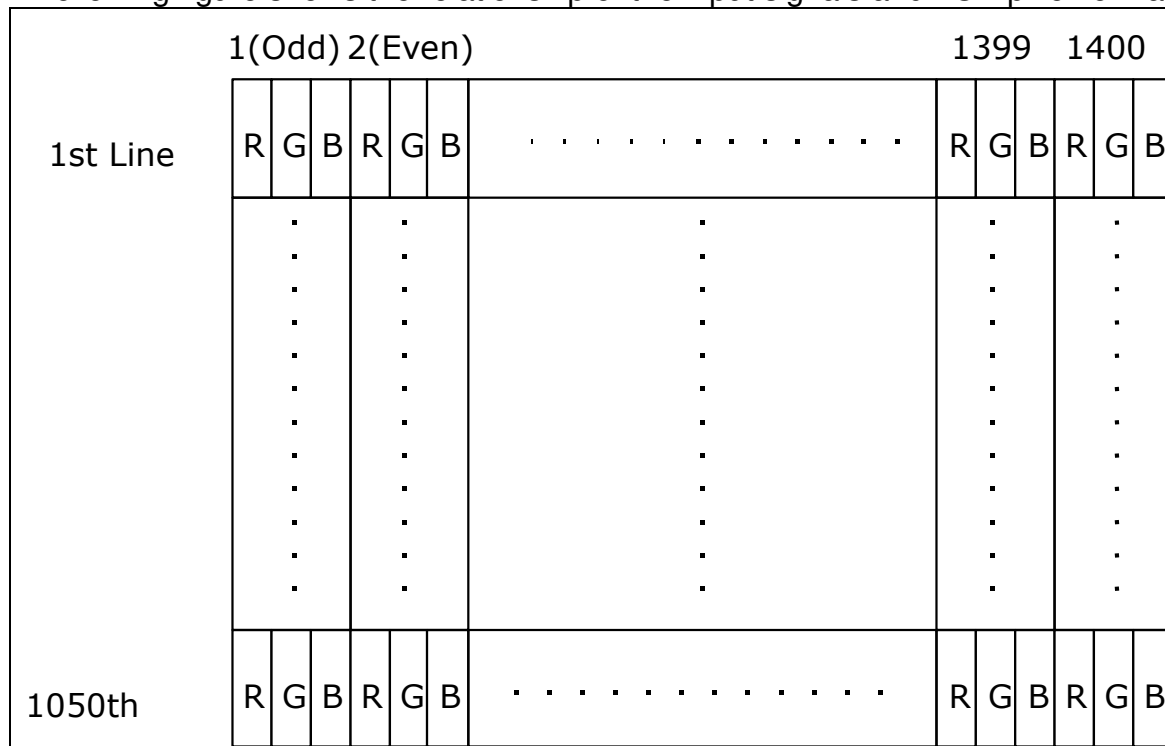


5.5 Signal for Lamp connector

| Pin # | Signal Name |
|-------|-------------------|
| 1 | Lamp High Voltage |
| 2 | Lamp Low Voltage |

6.0 Pixel Format Image

Following figure shows the relationship of the input signals and LCD pixel format.



7.0 Parameter guide line for CFL Inverter

| Parameter | Min | DP-1 | Max | Units | Condition |
|-------------------------------------|-----|------|-------|----------------------|---------------------|
| White Luminance 5 points average | - | 150 | — | [cd/m ²] | (Ta=25°C) |
| CCFL current(ICFL) | 3.0 | 5.5 | 7.0 | [mA] rms | (Ta=25°C) Note 2 |
| CCFL Frequency(FCFL) | 50 | 60 | 70 | [KHz] | (Ta=25°C) Note 3 |
| CCFL Ignition Voltage(Vs) | | — | 1,150 | [Volt] rms | (Ta= 0°C) Note 4 |
| CCFL Voltage (Reference) (VCFL) | — | 700 | — | [Volt] rms | (Ta=25°C) Note 5 |
| CCFL Power consumption (PCFL) | — | 3.9 | — | [Watt] | (Ta=25°C) Note 5 |

Note 1: DP-1 are AUO recommended Design Points.

*1 All of characteristics listed are measured under the condition using the AUO Test inverter.

*2 In case of using an inverter other than listed, it is recommended to check the inverter carefully. Sometimes, interfering noise stripes appear on the screen, and substandard luminance or flicker at low power may happen.

*3 In designing an inverter, it is suggested to check safety circuit ver carefully. Impedance of CFL, for instance, becomes more than 1 [M ohm] when CFL is damaged.

*4 Generally, CFL has some amount of delay time after applying kick-off voltage. It is recommended to keep on applying kick-off voltage for 1 [Sec] until discharge.

*5 CFL discharge frequency must be carefully chosen so as not to produce interfering noise stripes on the screen.

*6 Reducing CFL current increases CFL discharge voltage and generally increases CFL discharge frequency. So all the parameters of an inverter should be carefully designed so as not to produce too much leakage current from high-voltage output of the inverter.

Note 2: It should be employed the inverter which has “Duty Dimming”, if ICFL is less than 4mA.

Note 3: CFL discharge frequency should be carefully determined to avoid interference between inverter and TFT LCD.

Note 4: CFL inverter should be able to give out a power that has a generating capacity of over 1,400 voltage. Lamp units need 1,400 voltage minimum for ignition.

Note 5: Calculator value for reference (ICFL×VCFL=PCFL)

8.0 Interface Timings

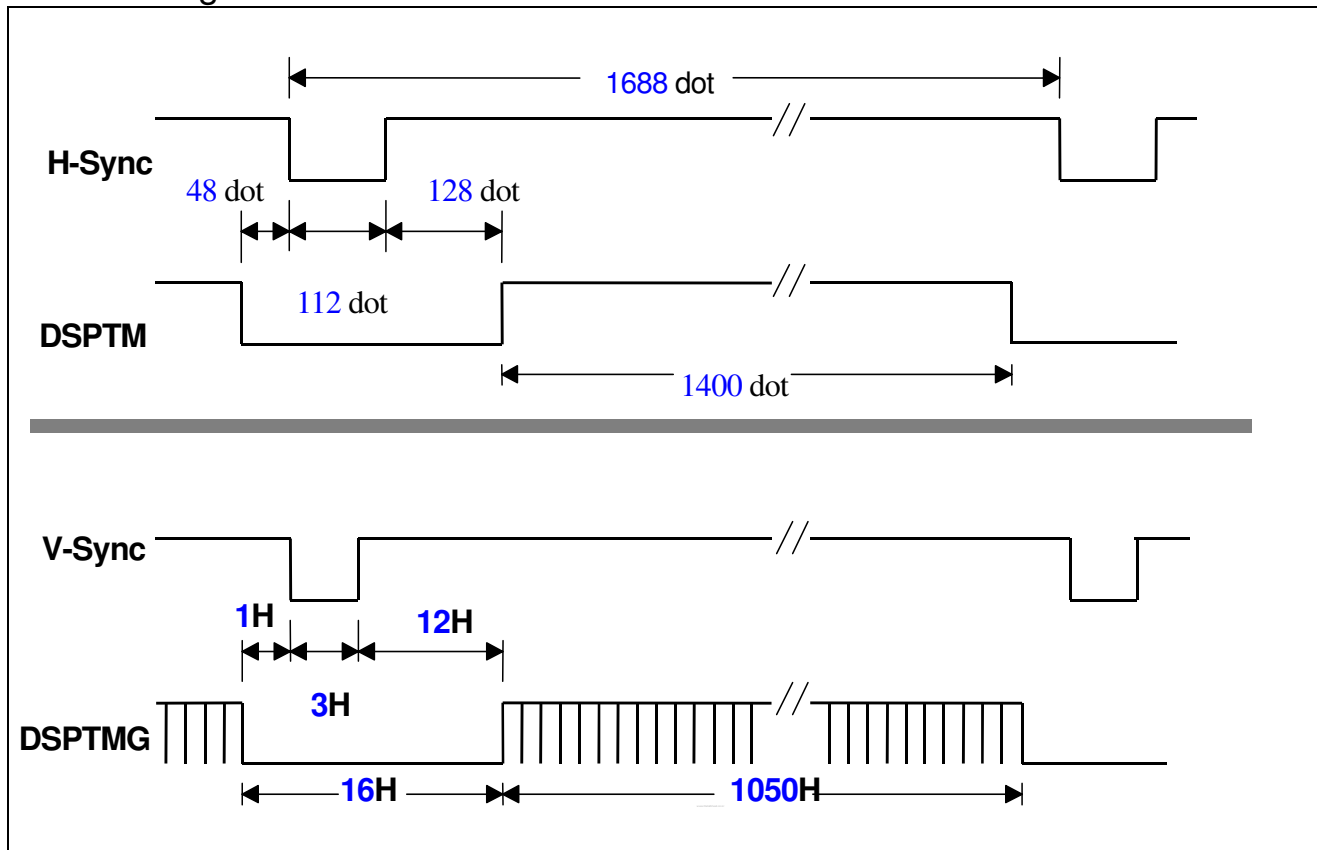
Basically, interface timings should match the manufacturing guide line timing.

8.1 Timing Characteristics

| Symbol | Description | Min | Typ | Max | Unit |
|--------|--------------------|------|-------|------|--------|
| fdck | DTCLK Frequency | 51 | 54.00 | 57 | [MHz] |
| tck | DTCLK cycle time | | 18.5 | | [nsec] |
| tx | X total time | 780 | 844 | 1024 | [tck] |
| tacx | X active time | 700 | 700 | 700 | [tck] |
| tbkx | X blank time | 80 | 144 | 324 | [tck] |
| Hsync | H frequency | | 63.98 | | [KHz] |
| Hsw | H-Sync width | 4 | 56 | | [tck] |
| Hbp | H back porch | 4 | 64 | | [tck] |
| Hfp | H front porch | 4 | 24 | | [tck] |
| ty | Y total time | 1060 | 1066 | 2048 | [tx] |
| tacy | Y active time | 1050 | 1050 | 1050 | [tx] |
| Vsync | Frame rate | (55) | 60 | 61 | [Hz] |
| Vw | V-sync Width | 1 | 3 | | [tx] |
| Vfp | V-sync front porch | 1 | 1 | 34 | [tx] |
| Vbp | V-sync back porch | 7 | 12 | 63 | [tx] |

Note: Hsw(H-sync width) + Hbp(H-sync back porch) should be less than 515 tck.

8.2 Timing Definition



9.0 Power Consumption

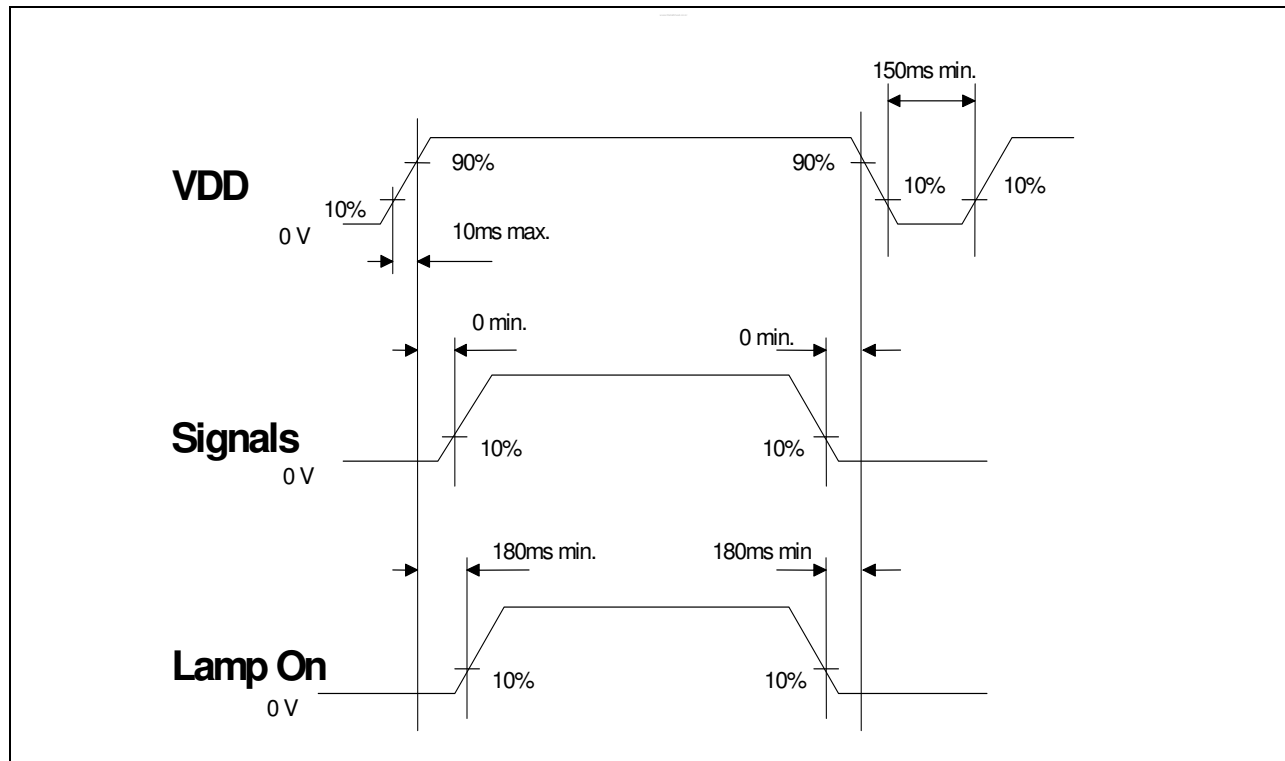
Input power specifications are as follows;

| Symbol | Parameter | Min | Typ | Max | Units | Condition |
|---------|--|-----|-----|------|-------------|-----------------------|
| VDD | Logic/LCD Drive Voltage | 3.0 | 3.3 | 3.6 | [Volt] | Load Capacitance 20uF |
| PDD | VDD Power | | 1.8 | | [Watt] | All Black Pattern |
| PDD Max | VDD Power max | | | 2.47 | [Watt] | Max Pattern Note |
| IDD | IDD Current | | 530 | | mA | All Black Pattern |
| IDD Max | IDD Current max | | | 750 | mA | Max Pattern Note |
| VDDrp | Allowable Logic/LCD Drive Ripple Voltage | | | 100 | [mV] p-p | |
| VDDns | Allowable Logic/LCD Drive Ripple Noise | | | 100 | [mV] p-p | |

Note : VDD=3.3V

10. Power ON/OFF Sequence

VDD power and lamp on/off sequence is as follows. Interface signals are also shown in the chart. Signals from any system shall be Hi-Z state or low level when VDD is off.

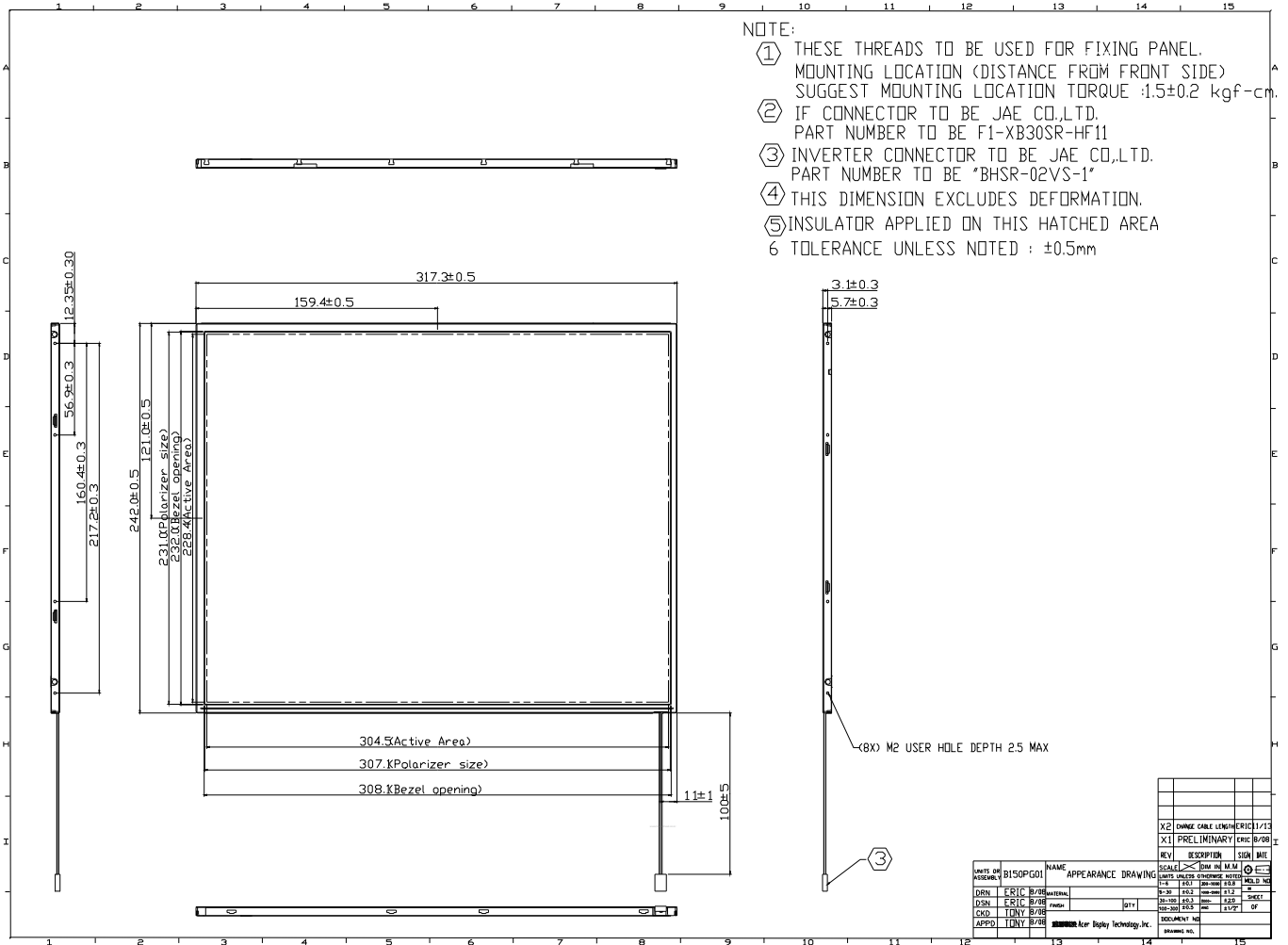


(C) Copyright AU Optronics, Inc.

August, 2001 All Rights Reserved.

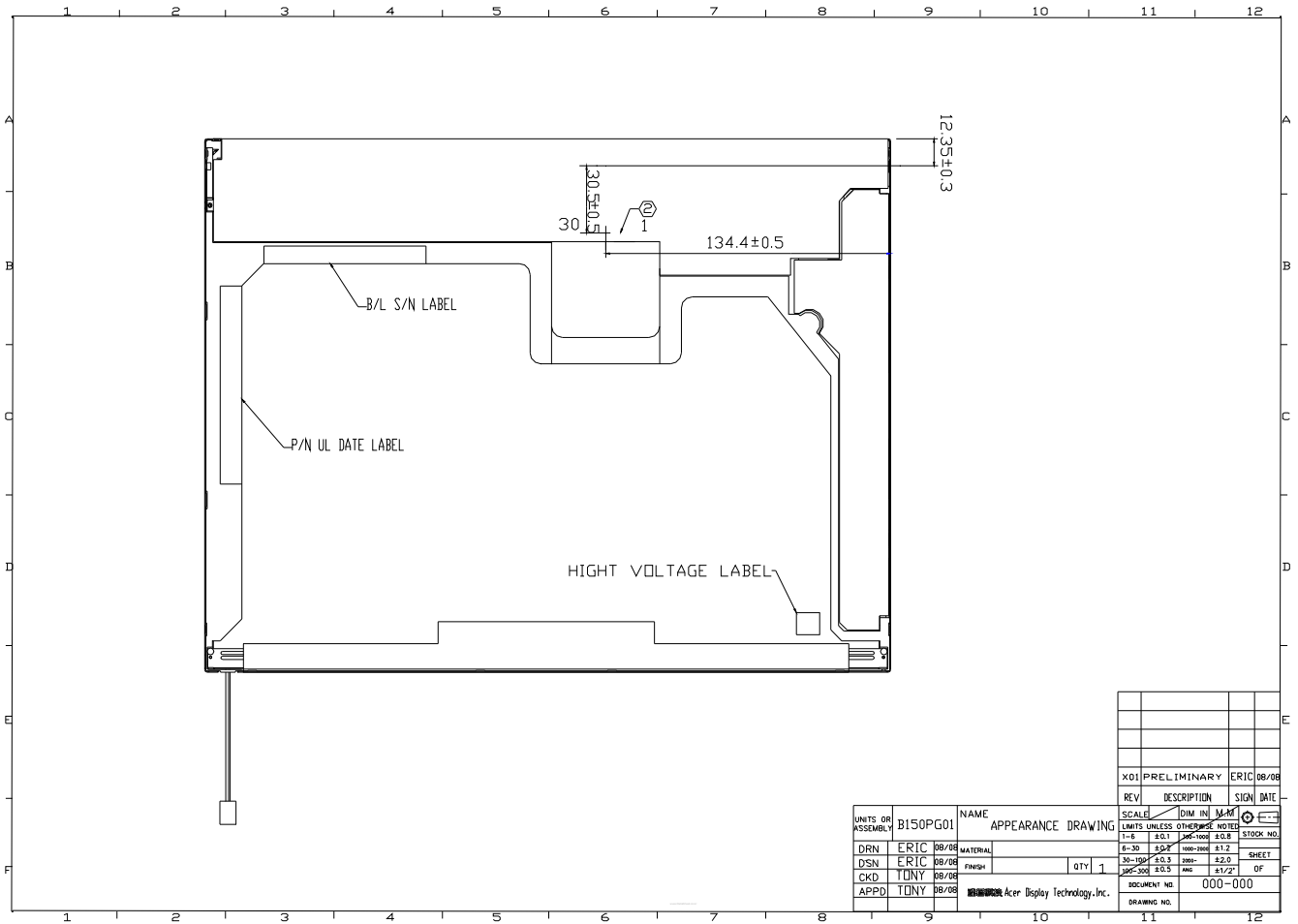
B150PG01 Ver. 07

11. Mechanical Characteristics



(C) Copyright AU Optronics, Inc.
 August, 2001 All Rights Reserved.

B150PG01 Ver. 07



| X01 | PRELIMINARY | ERIC | 08/08 |
|-----|-------------|------|-------|
| REV | DESCRIPTION | SIGN | DATE |

| | | | |
|-------------------|------------|------------------------|--------------------|
| UNITS OR ASSEMBLY | B150PG01 | NAME | APPEARANCE DRAWING |
| DRN | ERIC 08/08 | MATERIAL | |
| DSN | ERIC 08/08 | FINISH | |
| CKD | TONY 08/08 | QTY | 1 |
| APPD | TONY 08/08 | Acron Technology, Inc. | |

| | | | |
|------------------------------|---------|----------|-------|
| SCALE | DIM IN | M-M | |
| UNITS UNLESS OTHERWISE NOTED | | | |
| 1:1 | ±0.1 | 300-1000 | ±0.8 |
| E-30 | ±0.2 | 100-1000 | ±1.2 |
| 30-150 | ±0.3 | 300- | ±2.0 |
| 300-500 | ±0.5 | ANG | ±1/2" |
| DOCUMENT NO. | 000-000 | | |
| DRAWING NO. | | | |

(C) Copyright AU Optronics, Inc.
 August, 2001 All Rights Reserved.

B150PG01 Ver. 07

No Reproduction and Redistribution Allowed.

12. EDID Information

| | ISP Enhanced Extended Display Identification Data (EDID) Requirements | | | AU 15.0" SXGA B150PG01 |
|-----------------------------------|---|-------|---|------------------------|
| Ver 8 | Byte# | Byte# | Field Name and Comments | Byte# |
| | (dec) | (hex) | | (hex) |
| Header | 0 | 00 | Header | 00 |
| | 1 | 01 | | FF |
| | 2 | 02 | | FF |
| | 3 | 03 | | FF |
| | 4 | 04 | | FF |
| | 5 | 05 | | FF |
| | 6 | 06 | | FF |
| | 7 | 07 | | 00 |
| Vender/ Product ID | 8 | 08 | EISA manufacturer code = (1st byte) | 06 |
| | 9 | 09 | (2nd byte) | AF |
| | 10 | 0A | Product code LSB = | 03 |
| | 11 | 0B | Product code MSB = | 0F |
| | 12 | 0C | ID (32-bit) serial number (preferred, but optional, zero if not used) | 01 |
| | 13 | 0D | | 01 |
| | 14 | 0E | | 01 |
| | 15 | 0F | | 01 |
| | 16 | 10 | Week of manufacture = (preferred, but optional, zero if not used) | 00 |
| | 17 | 11 | Year of manufacture = (preferred, but optional, zero if not used) | 0C |
| EDID Version/ Revision | 18 | 12 | EDID Structure version # = | 01 |
| | 19 | 13 | EDID Revision # = | 02 |
| Display Parameter | 20 | 14 | Video input definition = Digital I/P, non TMDS CRGB typ 80h | 80 |
| | 21 | 15 | Max H image size (xx) (rounded to cm) | 1E |
| | 22 | 16 | Max V image size (xx) (rounded to cm) | 17 |
| | 23 | 17 | Display gamma = x.x (= (gamma*100)-100) | 78 |
| | 24 | 18 | Feature (no DPMS, Active off, RGB, timing BLK1) | 0A |
| Color Characteristic | 25 | 19 | Red/Green low Bits | 76 |
| | 26 | 1A | Blue/White Low Bits | C5 |
| | 27 | 1B | Red X Rx =0.xxx | 91 |
| | 28 | 1C | Red Y Ry =0.xxx | 54 |
| | 29 | 1D | Green X Gx =0.xxx | 4E |
| | 30 | 1E | Green Y Gy =0.xxx | 8C |
| | 31 | 1F | Blue X Bx =0.xxx | 26 |
| | 32 | 20 | Blue Y By =0.xxx | 22 |
| | 33 | 21 | White X Wx = 0.xxx | 50 |

(C) Copyright AU Optronics, Inc.

August, 2001 All Rights Reserved.

B150PG01 Ver. 07

| | | | | |
|---------------------------------------|----|----|---|----|
| | 34 | 22 | White Y Wy = 0.xxx | 54 |
| Established Timings | 35 | 23 | Established Timing I (00h if not used) | 00 |
| | 36 | 24 | Established Timing II (00h if not used) | 00 |
| | 37 | 25 | Manufacturer's Timings (00h if not used) | 00 |
| Standard Timing ID | 38 | 26 | Standard Timing Identification 1 (01h if not used) | 01 |
| | 39 | 27 | Standard Timing Identification 1 (01h if not used) | 01 |
| | 40 | 28 | Standard Timing Identification 2 (01h if not used) | 01 |
| | 41 | 29 | Standard Timing Identification 2 (01h if not used) | 01 |
| | 42 | 2A | Standard Timing Identification 3 (01h if not used) | 01 |
| | 43 | 2B | Standard Timing Identification 3 (01h if not used) | 01 |
| | 44 | 2C | Standard Timing Identification 4 (01h if not used) | 01 |
| | 45 | 2D | Standard Timing Identification 4 (01h if not used) | 01 |
| | 46 | 2E | Standard Timing Identification 5 (01h if not used) | 01 |
| | 47 | 2F | Standard Timing Identification 5 (01h if not used) | 01 |
| | 48 | 30 | Standard Timing Identification 6 (01h if not used) | 01 |
| | 49 | 31 | Standard Timing Identification 6 (01h if not used) | 01 |
| | 50 | 32 | Standard Timing Identification 7 (01h if not used) | 01 |
| | 51 | 33 | Standard Timing Identification 7 (01h if not used) | 01 |
| | 52 | 34 | Standard Timing Identification 8 (01h if not used) | 01 |
| | 53 | 35 | Standard Timing Identification 8 (01h if not used) | 01 |
| Detailed Timing Description #1 | 54 | 36 | Pixel Clock/10,000 (LSB) | 30 |
| | 55 | 37 | Pixel Clock/10,000 (MSB) | 2A |
| | 56 | 38 | Horizontal Active = xxxx pixels (lower 8 bits) | 78 |
| | 57 | 39 | Horizontal Blanking (Thbp)= xxxx pixels (lower 8 bits) | F0 |
| | 58 | 3A | Horizontal Active : Horizontal Blanking (Thbp) (upper 4:4bits) | 50 |
| | 59 | 3B | Vertical Active = xxx lines | 1A |
| | 60 | 3C | Vertical Blanking (Tvbp) = xxxx (DE Blanking min for DE-only panels) lines | 0F |
| | 61 | 3D | Vertical Active : Vertical Blanking (Tvbp) (upper 4:4bits) | 40 |
| | 62 | 3E | Horizontal Sync. Offset = xxxx pixels | 30 |
| | 63 | 3F | Horizontal Sync Pulse Width = xxxx pixels | 70 |
| | 64 | 40 | Vertical Sync Offset (Tvfp) = xx lines, Sync Width = xx lines | 13 |
| | 65 | 41 | Horizontal Vertical Sync Offset/Width upper 2bits | 00 |
| | 66 | 42 | Horizontal Image Size = xxx mm (lower 8 bits) | 31 |
| | 67 | 43 | Vertical Image Size = xxx mm (lower 8 bits) | E4 |
| | 68 | 44 | Horizontal & Vertical Image Size (upper 4:4bits) | 10 |
| | 69 | 45 | Horizontal Border (Zero for internal LCD) | 00 |
| | 70 | 46 | Vertical Border (Zero for internal LCD) | 00 |
| | 71 | 47 | Non-interlaced,Normal display,no stereo,Digital separate sync,H/V pol negatives | 18 |
| | 72 | 48 | Flag | 00 |

| | | | | |
|---|-----|--|---|----|
| Detailed Timing Description #2 | 73 | 49 | Flag | 00 |
| | 74 | 4A | Flag | 00 |
| | 75 | 4B | Data Type Tag: Descriptor Defined by Manufacturer | 0F |
| | 76 | 4C | Flag | 00 |
| | 77 | 4D | value = HSPWmin/2 (pixel clks) | 02 |
| | 78 | 4E | value = HSPWmax/2 (pixel clks) | 3F |
| | 79 | 4F | value = Thbpmin/2 (pixel/clks) (for DE-only timing also, with Thfp=0) | 02 |
| | 80 | 50 | value = Thbpmax/2 (pixel/clks) (for DE-only timing also, with Thfp=0) | 7F |
| | 81 | 51 | value = VSPWmin/2 (pixel clks) | 01 |
| | 82 | 52 | value = VSPWmax/2 (pixel clks) | 1C |
| | 83 | 53 | value = Tvpmin/2 (pixel clks) | 04 |
| | 84 | 54 | value = Tvpmax/2 (pixel clks) | 3B |
| | 85 | 55 | Thpmin = value*2 + HApixelClks (pixel clks) Note 2. | 28 |
| | 86 | 56 | Thpmax = value*2 + HApixelClks (pixel clks) Note 2. | A2 |
| | 87 | 57 | Tvpmin = value*2 + Valines (line pulse) | 05 |
| | 88 | 58 | Tvpmax = value*2 + Valines (line pulse) | FF |
| | 89 | 59 | Module revision | 02 |
| Detailed Timing Description #3 | 90 | 5A | Flag | 00 |
| | 91 | 5B | Flag | 00 |
| | 92 | 5C | Flag | 00 |
| | 93 | 5D | Data Type Tag: (Monitor) ASCII string | FE |
| | 94 | 5E | Flag | 00 |
| | 95 | 5F | | 41 |
| | 96 | 60 | | 55 |
| | 97 | 61 | | 4F |
| | 98 | 62 | | 00 |
| | 99 | 63 | | 00 |
| | 100 | 64 | | 00 |
| | 101 | 65 | | 00 |
| | 102 | 66 | | 00 |
| | 103 | 67 | | 00 |
| | 104 | 68 | | 00 |
| | 105 | 69 | | 0A |
| | 106 | 6A | | 20 |
| 107 | 6B | (if<13 char, then terminate with ASCII code 0Ah, and set remaining char = 20h) | 20 | |
| | 108 | 6C | Flag | 00 |
| | 109 | 6D | Flag | 00 |
| | 110 | 6E | Flag | 00 |
| | 111 | 6F | Data Type Tag : (Monitor) ASCII String | FE |
| | 112 | 70 | Flag | 00 |

| | | | | |
|---|-----------------------|-----|--|---|
| Detailed Timing Description #4 | 113 | 71 | | 42 |
| | 114 | 72 | | 31 |
| | 115 | 73 | | 35 |
| | 116 | 74 | | 30 |
| | 117 | 75 | | 50 |
| | 118 | 76 | | 47 |
| | 119 | 77 | | 30 |
| | 120 | 78 | | 31 |
| | 121 | 79 | | 00 |
| | 122 | 7A | | 0A |
| | 123 | 7B | | 20 |
| | 124 | 7C | | 20 |
| | 125 | 7D | (if < 13 char, then terminate with ASCII code 0Ah, and set remaining char = 20h) | 20 |
| | Extension Flag | 126 | 7E | Extension flag (#of optional 128-byte EDID extension blocks to follow, typ=0) |
| Checksum | 127 | 7F | Checksum (the 1-byte sum of all 128 bytes in this EDID block shall equal zero) | 00 |