

**PLEASE CHECK WWW.MOLEX.COM FOR LATEST PART INFORMATION**

**Part Number:** [0191951007](#)  
**Status:** **Active**  
**Description:** MagKrimp™ Round Ring Tongue Terminal for 12 AWG Magnet Wire, 10,380-52.480 Circular Mil Area, Stud Size 1/4", Plated

**Documents:**

[Drawing \(PDF\)](#) [Product Specification PS-19902-001 \(PDF\)](#)  
[Product Specification PS-19195-001 \(PDF\)](#) [RoHS Certificate of Compliance \(PDF\)](#)

**Agency Certification**

UL E32244

**General**

Product Family Ring and Spade Terminals  
 Series [19195](#)  
 Comments 6 wires maximum for 12 AWG. Conductors heavier than 6 AWG require special dies - contact Molex.  
 Crimp Quality Equipment Yes  
 Mil-Spec N/A  
 Product Name MagKrimp™(Magnet Wire)  
 Type Ring

**Physical**

Barrel Type Open  
 Insulation None  
 Material - Plating Mating Tin  
 Packaging Type Bag  
 Plating min: Mating (µin) 100  
 Plating min: Mating (µm) 2.5  
 Plating min: Termination (µin) 100  
 Plating min: Termination (µm) 2.5  
 Stud Size 1/4" (M6)  
 Temperature Range - Operating -40°C to +100°C  
 Wire Size AWG 12  
 Wire Size mm² 2.7

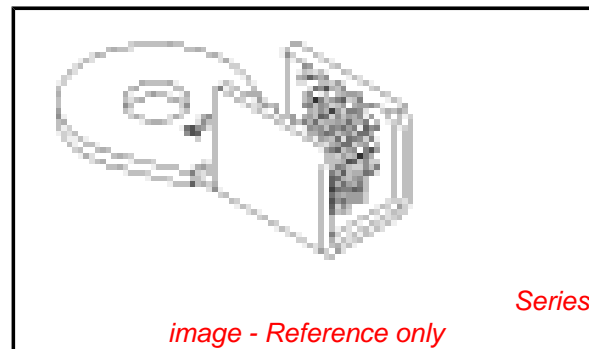
**Electrical**

Voltage - Maximum 2000V

**Material Info**

**Reference - Drawing Numbers**

Product Specification PS-19195-001, PS-19902-001  
 Sales Drawing SD-19195-016



**EU RoHS**

**ELV and RoHS Compliant**  
**REACH SVHC Contains SVHC: No**  
**Halogen-Free Status Not Reviewed**

**China RoHS**



**Need more information on product environmental compliance?**

Email [productcompliance@molex.com](mailto:productcompliance@molex.com)  
 For a multiple part number RoHS Certificate of Compliance, [click here](#)

Please visit the [Contact Us](#) section for any non-product compliance questions.

**Search Parts in this Series**

[19195Series](#)

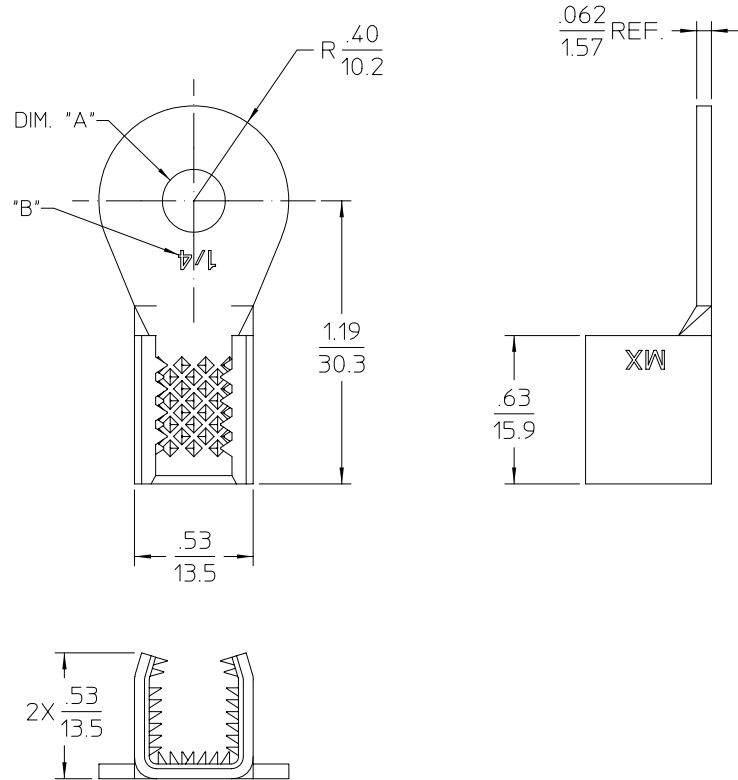
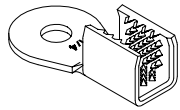
**Application Tooling | FAQ**

*Tooling specifications and manuals are found by selecting the products below. Crimp Height Specifications are then contained in the Application Tooling Specification document.*

**Global**

Description	Product #
Hydraulic Crimp Dies	<a href="#">0190780131</a>

MATERIAL NUMBER	DIM. "A"	"B"
191951007	∅.265/6.73	1/4
191951035	∅.328/8.33	5/16
191951021	∅.390/9.91	3/8
191951037	∅.515/13.08	1/2



- NOTES:
1. MATERIAL: COPPER ALLOY.
  2. FINISH: ELECTRO TIN PLATE.  
THICKNESS=100MICRONS MINIMUM.
  3. PRODUCT SPECIFICATION: PS-19195-001.
  4. PART USED TO CONNECT COPPER OR ALUMINUM SINGLE MAGNET WIRE OR MULTIPLE WIRE COMBINATIONS.
  5. COMBINATIONS OF WIRES ARE EITHER MAGNET WIRE TO MAGNET WIRE OR MAGNET WIRE TO LEAD WIRE.

EC NO: ETC2003-0089 DRAWN: JPAWLICK 2002/09/27 CHKD: JPAWLICK 2002/09/27 APPR: RDEROSS 2002/09/27	DESCRIPTION REV	QUALITY SYMBOLS	GENERAL TOLERANCES (UNLESS SPECIFIED)	SCALE 2:1	DESIGN UNITS INCH	THIRD ANGLE PROJECTION	REVISE ON CAD ONLY
		▽ = 0	4 PLACES ± --- INCH 3 PLACES ± --- mm 2 PLACES ± --- ± .010	DIMENSION STYLE IN/MM		TITLE MAGKRIMP ROUND RING 10,380-52,480 CMA	
		∇ = 0	1 PLACE ± 0.25 ANGULAR ± 2 °	DRAWN BY JPAWLICK	DATE 02/04/04	MOLEX INCORPORATED	
		DRAFT WHERE APPLICABLE MUST REMAIN WITHIN DIMENSIONS		APPROVED BY RDEROSS	DATE 02/04/04	MATERIAL NO SEE CHART	DOCUMENT NO SD-19195-016
THIS DRAWING CONTAINS INFORMATION THAT IS PROPRIETARY TO MOLEX INCORPORATED AND SHOULD NOT BE USED WITHOUT WRITTEN PERMISSION							