

# SRCN SERIES CONNECTORS

## Low Cost, General Purpose Miniature Circular Connectors



SRCN Series connectors are low cost, light weight, general purpose, circular connectors with soldering termination, recognized under the Component Program of Underwriter Laboratories, File No. E-67741 (S). Three styles are available for making connection between cables, and between cable and panel: Straight Plug, Cable Connecting Plug and Box Mounting Receptacle. Both pin and socket inserts are available in each style.

Applications include broadcast and communication systems, medical equipment, telecommunications, measurement equipment, business machines, computers and peripherals, automation equipment, tooling, controlling devices, vending machines, electronic entertainment equipment and other electronic equipment.

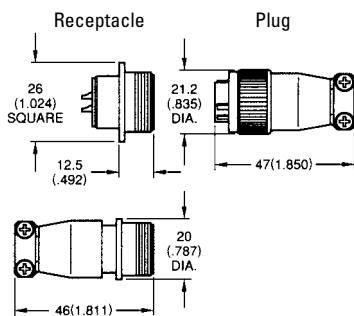
### FEATURES

- Miniature, lightweight, solid construction
- General purpose
- Low cost connector
- Product approved by UL standard: File No. E-67741 (s)
- Highly reliable contact finish
- Stable connections
- Positive polarization with five keys and keyways

### GENERAL SPECIFICATIONS

Number of Contacts	#16: 3, 7, 10, 16 #20: 5, 10, 16, 24
Current Rating (Per contact)	5 Amp max. for #20 contact 10 Amp max. for #16 contact
Operating Voltage	250 VAC r.m.s., max. 350 VDC max.
Operating Temperature	-25°C to +85°C
Dielectric Withstanding Voltage	250 VAC r.m.s. (for one minute)
Insulation Resistance	1000 megohms min.
Contact Resistance	5 milliohms max.
Durability	500 cycles

Connector Profile (Ref.)



### MATERIALS AND FINISHES\*

Description	Materials/Finishes
Shell, Barrel, Endbell, Coupling Nut, Clamp	Aluminum alloy, Nickel Plated (satin)
Insulator	Synthetic resin, UL94V-0 (Green)
Contact	Copper alloy, Silver Plated
Retaining Ring	Copper alloy, Nickel Plated
Set Screw, Clamp Screw	Steel, Nickel Plated

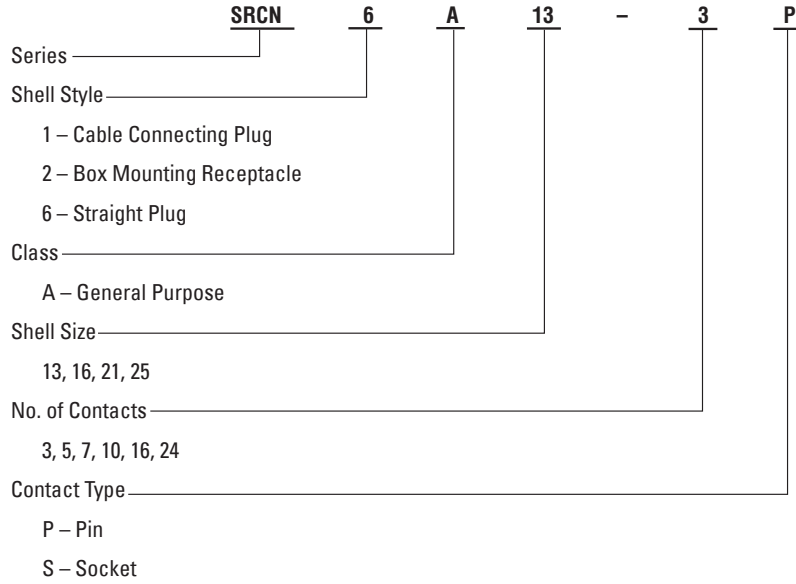
\* Please consult JAE for verification of product availability.

Dimensions in mm (inches).

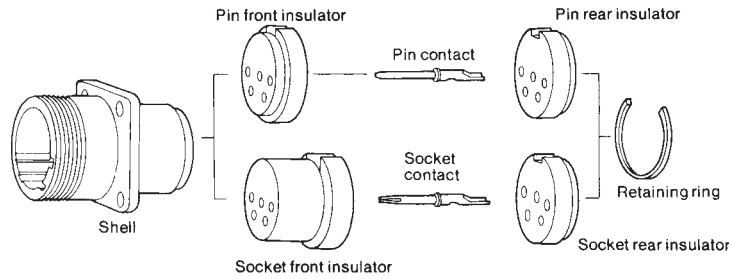
# SRCN SERIES CONNECTORS

Low Cost, General Purpose Miniature Circular Connectors

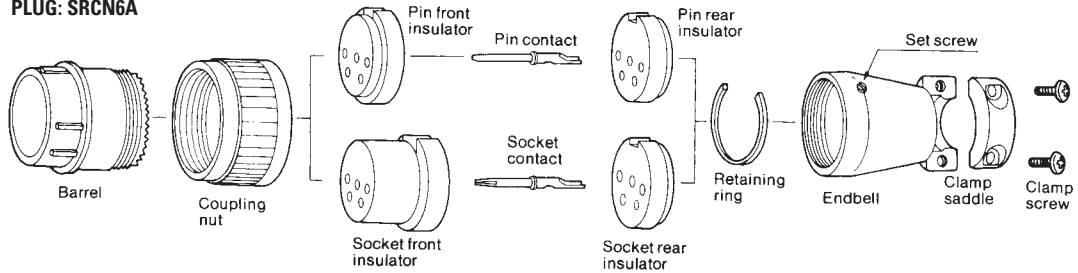
## ORDERING INFORMATION



### RECEPTACLE: SRCN2A



### PLUG: SRCN6A



• Please consult JAE for verification of product availability.

Dimensions and specifications subject to change without notice.