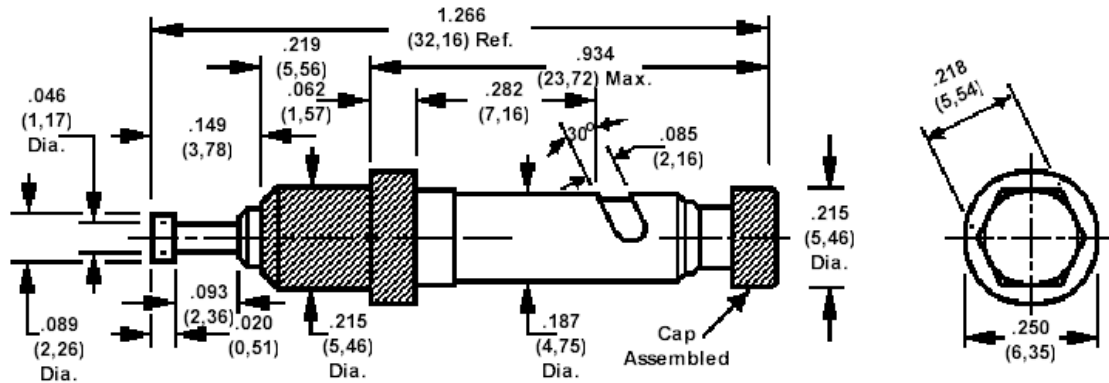


## 410-4520 Component Clip, .085 (2,16) Slot, Press mnt, Insulated, Capped Plunger

Recommended mounting hole .203 (5,16)



Recommended Lead Wire Sizes - #19 AWG (.036) (0,91) Min. Thru #13 AWG (.072) (1,83) Max.

### How to order code

**410-4520-01-05-19**

Basic Part No

Basic Part Number	For Panel Thickness	Flashover at Sea Level (VRMS)	Capacitance (pF)
410-4520-01	.040 (1,02) to .125 (3,18)	2500	1.0

Component	Material	Finish
Insulator	Teflon	White
Cap	Nylon	Natural
Housing	Brass	Electro Solder
Plunger	Brass	Electro Solder
Spring	Cres. Steel	Passivated

Teflon is a registered trademark of Dupont