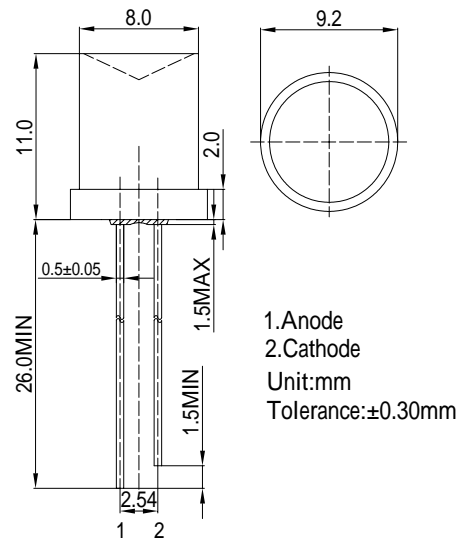


**■Features**

- High Luminous LEDs
- 8mm Concave Standard Directivity
- Long Lifetime Operation
- Superior Weather-resistance
- UV Resistant Epoxy
- Water Clear Type

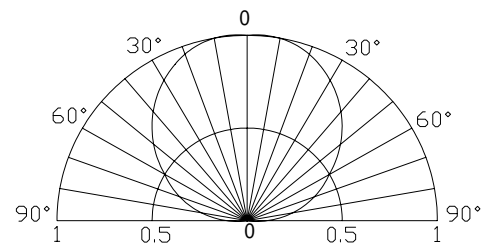
**■Applications**

- Counterfeit Detection
- NDT Crack Detection
- Fluid Leak Detection
- Forensic Science/Infection Control
- Other Lighting

**■Outline Dimension**

**■Absolute Maximum Rating**

(Ta=25 )

| Item                       | Symbol    | Value      | Unit |
|----------------------------|-----------|------------|------|
| DC Forward Current         | $I_F$     | 30         | mA   |
| Pulse Forward Current*     | $I_{FP}$  | 100        | mA   |
| Reverse Voltage            | $V_R$     | 5          | V    |
| Power Dissipation          | $P_D$     | 108        | mW   |
| Operating Temperature      | $T_{opr}$ | -30 ~ +85  |      |
| Storage Temperature        | $T_{stg}$ | -40 ~ +100 |      |
| Lead Soldering Temperature | $T_{sol}$ | 260 /5sec  | -    |

**■Directivity**


\*Pulse width Max.10ms Duty ratio max 1/10

**■Electrical -Optical Characteristics**

(Ta=25 )

| Item                | Symbol          | Condition  | Min. | Typ. | Max. | Unit    |
|---------------------|-----------------|------------|------|------|------|---------|
| DC Forward Voltage  | $V_F$           | $I_F=20mA$ | 2.9  | 3.1  | 3.6  | V       |
| DC Reverse Current  | $I_R$           | $V_R=5V$   | -    | -    | 10   | $\mu A$ |
| Peak Wavelength*    | $\lambda_p$     | $I_F=20mA$ | 400  | 405  | 410  | nm      |
| Radiant flux*       | $e$             | $I_F=20mA$ | 2.0  | 5.0  | 6.0  | mW      |
| Luminous Intensity* | $I_v$           | $I_F=20mA$ | 10   | 20   | -    | mcd     |
| 50% Power Angle     | $2\theta_{1/2}$ | $I_F=20mA$ | -    | 120  | -    | deg     |

 \*1 Tolerance of Peak wavelength is  $\pm 1nm$ 

 \*2 Tolerance of luminous intensity is  $\pm 15\%$