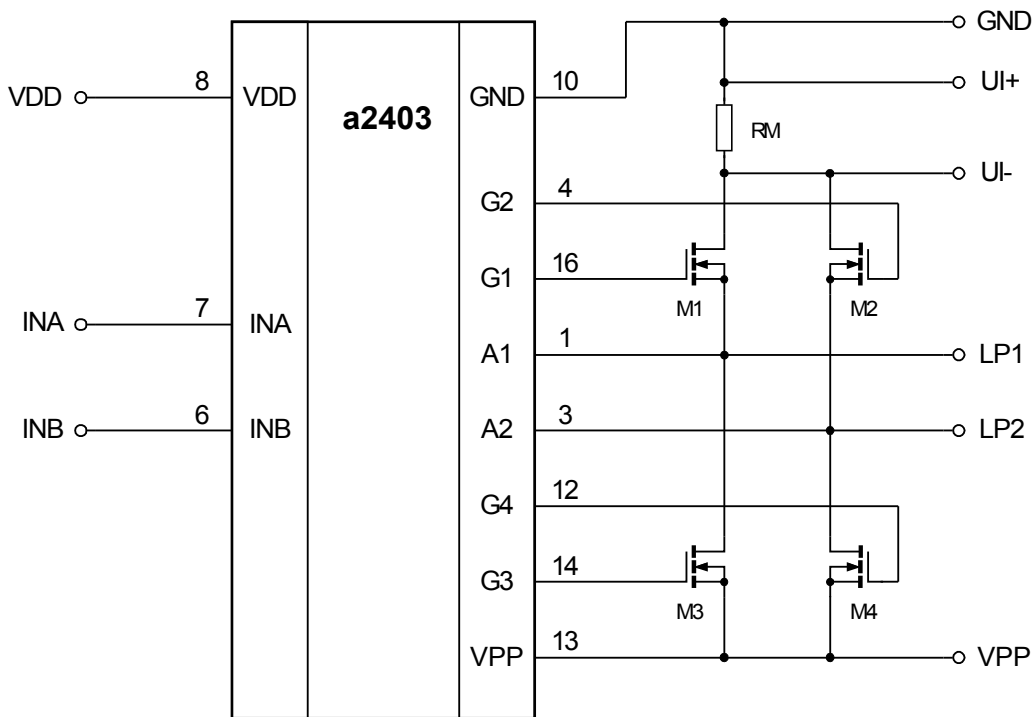


a2403 general features

The a2403 is for driving n-channel power MOS Field-Effect Transistors (MOSFET) in an H-Bridge form up to -500V, especially for use in HID systems.

- Supply logic voltage range from 8 ... 10 V
- 3 to 10V CMOS logic compatible
- Output voltage up to -500V
- Ambient temperature range -40°C ... +105°C
- No bootstrap devices necessary
- Package: SOP-16

example application schematic



a2403: typical application schematic