

FEATURES

- Digital VGA
- I & Q Demodulators
- Active Low Pass Filters
- Dual Wideband ADC
- Programmable Decimation and Channel Filters
- Phase Locked Loop Circuitry
- Serial Data Output Ports
- IF Frequencies 70-300MHz
- 10 dB Noise Figure
- +24 dBm Input IP2
- 13 dBm Input IP3
- 3.3 Volt I/O and CMOS Core
- I²C and Microprocessor Interface
- JTAG Boundary Scan

APPLICATIONS

- GSM/EDGE Single Carrier and Diversity Receivers
- Micro and Pico Cell Systems
- Wireless Local Loop
- Smart Antenna Systems
- Software Radios
- In Building Wireless Telephony

PRODUCT DESCRIPTION

The AD6650 is a diversity, IF to baseband receiver for GSM/EDGE. This narrow band receiver consists of an integrated DVGA, IF-to-baseband I&Q demodulators, low-pass filtering, and a dual wideband ADC. The chip can accommodate IF input frequencies from 70 MHz to 300 MHz. This receiver architecture is designed such that only one external SAW filter (one for main and one for diversity) is required in the entire Rx signal path to meet GSM/EDGE blocking requirements.

Digital decimation and filtering circuitry is embedded on chip to generate serial output I&Q data streams. The decimating filters remove unwanted signals and noise outside the channel of interest. In addition, programmable RAM Coefficient filters allow anti-aliasing, matched filtering, and static equalization functions to be combined in a single, cost-effective filter.

The AD6650 is part of a complete GSM/EDGE receive and transmit chipset. Other components in this chipset are: RF to IF amplifier/mixers, receive and transmit frequency hopping synthesizers, and a baseband to IF transmit modulator and ramping chip.

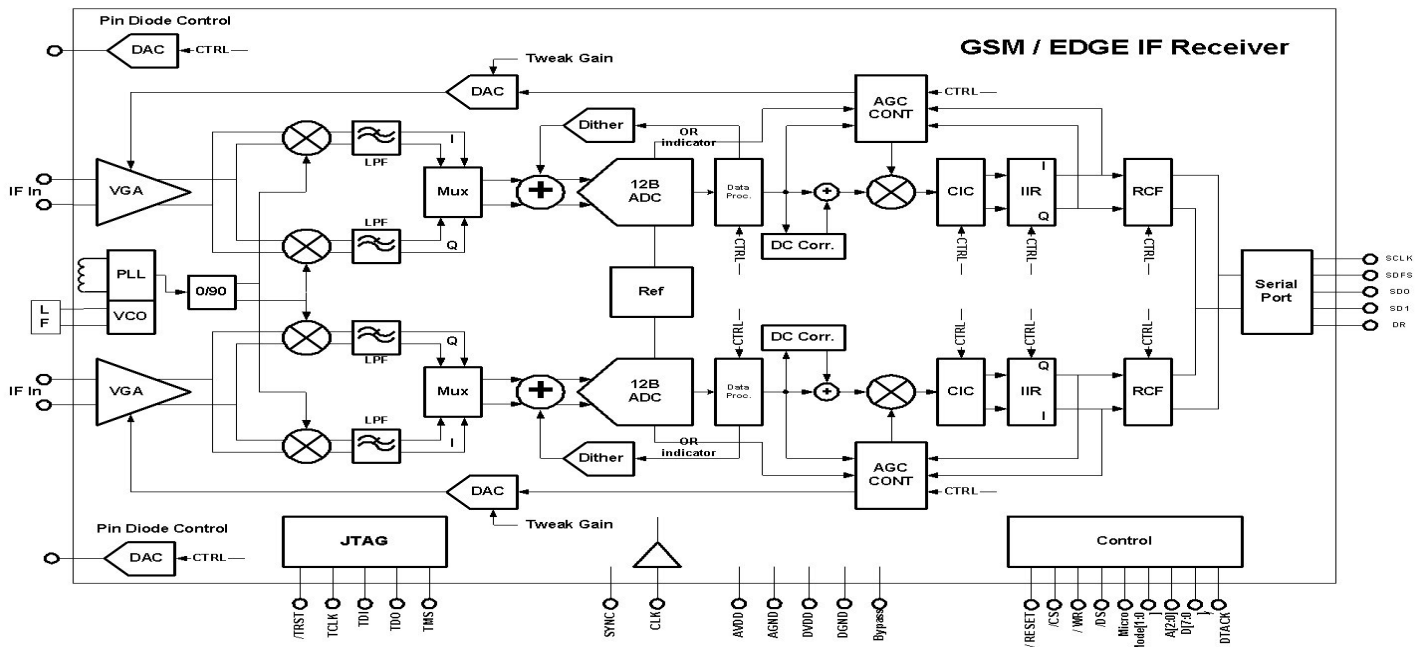


Figure 1. AD6650 Functional Block Diagram

PrJ 02/27/03

Information furnished by Analog Devices is believed to be accurate and reliable. However, no responsibility is assumed by Analog Devices for its use, nor for any infringements of patents or other rights of third parties that may result from its use. No license is granted by implication or otherwise under any patent or patent rights of Analog Devices. Trademarks and registered trademarks are the property of their respective companies.

One Technology Way, P.O. Box 9106, Norwood, MA 02062-9106, U.S.A.

Tel: 781/329-4700 www.analog.com

Fax: 781/326-8703

© 2003 Analog Devices, Inc. All rights reserved.

TABLE OF CONTENTS

FEATURES	xx	0x07: Aux DAC A	xx
PRODUCT DESCRIPTION	xx	0x08: Aux DAC B	xx
FUNCTIONAL BLOCK DIAGRAM	xx	0x09: Aux DAC Control	xx
SPECIFICATIONS/CHARACTERISTICS	xx	0x0A: ADC Dither Control	xx
TIMING DIAGRAMS	xx	0x0B: DC Correction BW	xx
ABSOLUTE MAXIMUM RATINGS	xx	0x0C: DC Correction Control	xx
PIN FUNCTION DESCRIPTIONS	xx	0x0D-0x14: AGC Control[7:0]	xx
ARCHITECTURE	xx	0x15: Start Hold-Off Counter	xx
EXAMPLE FILTER RESPONSE	xx	0x16: CIC4 Decimation	xx
AGC LOOP	xx	0x17: CIC4 Scale	xx
DC CORRECTION	xx	0x18: IIR Control Register	xx
FOURTH ORDER CASCADED INTEGRATOR COMB FILTER	xx	0x19: RCF Decimation Register	xx
CIC4 Rejection	xx	0x1A: RCF Decimation Phase	xx
INFINITE IMPULSE RESPONSE	xx	0x1B: RCF Coefficient Offset	xx
RAM COEFFICIENT FILTER	xx	0x1C: RCF Taps	xx
RCF Decimation Register	xx	0x1D: RCF Scale Register	xx
RCF Decimation Phase	xx	0x1E-0x1F: BIST For A-I/Q	xx
RCF Filter Length	xx	0x20-0x21: BIST for B-I/Q	xx
RCF Output Scale Factor and Control Register	xx	0x22: Serial Control Register	xx
USER-CONFIGURABLE BUILT-IN SELF-TEST		0x23-0x29: Reserved	xx
CHANNEL BIST	xx	0x30-0x5F: Coefficient Memory	xx
CHIP SYNCHRONIZATION	xx	0x60-0xFF: Reserved	xx
Start	xx	MICROPORT CONTROL	xx
SERIAL OUTPUT DATA PORT	xx	External Memory Map	xx
Serial Output Data Format	xx	Access Control Register (ACR)	xx
Serial Data Frame (Serial Bus Master)	xx	External Memory Map	xx
Serial Data Frame (Serial Cascade)	xx	Channel Address Register (CAR)	xx
Configuring the Serial Ports	xx	SOFT_SYNC Control Register	xx
Serial Port Data Rate	xx	PIN_SYNC Control Register	xx
Serial Slave Operation	xx	SLEEP Control Register	xx
Serial Ports Cascaded	xx	Data Address Registers	xx
Serial Output Frame Timing (Master and Slave)	xx	Write Sequencing	xx
Serial Port Timing Specifications	xx	Read Sequencing	xx
SCLK	xx	Read/Write Chaining	xx
SDO0	xx	Intel Nonmultiplexed Mode (INM)	xx
SDO1	xx	Motorola Nonmultiplexed Mode (MNM)	xx
SDFS	xx	I ² C PORT CONTROL	
Serial Word Length	xx	JTAG BOUNDARY SCAN	xx
SDFS Mode	xx	INTERNAL WRITE ACCESS	xx
Mapping RCF Data to the BIST Registers	xx	Write Pseudocode	xx
0x00: Clock Divider Control	xx	INTERNAL READ ACCESS	xx
0x01-0x05: PLL Register[4:0]	xx	Read Pseudocode	xx
0x06: Clamp Control	xx	OUTLINE DIMENSIONS	xx

AC Specifications

Parameter	Temp	Test Level	MIN	AD6650BBC Typ	Max	Units
Overall Function						
Frequency Range			70		300	MHz
Gain Control						
Gain Step Size				.094		dB
Gain Step Accuracy				+/- .5		Step
Baseband Filters						
Group Delay			119	124	127	ns
Bandwidth			3.36	3.5	3.64	MHz
LO Phase Noise: @ 200KHz Offset				-88		dBc/Hz
@ 400KHz Offset				-108		dBc/Hz
@ 600KHz Offset				-120		dBc/Hz
@ 800KHz Offset				TBD		dBc/Hz
@ 1600KHz Offset				TBD		dBc/Hz
@ 3000KHz Offset				TBD		dBc/Hz
F = 70 MHz						
Min Gain				0		dB
Max Gain				36		dB
Noise Figure ¹				10.25		dB
Input IP2				+24		dBm
Input IP3				-13		dBm
Image Rejection				35		dBc
FullScale Input Power				+4		dBm
Input Impedance				200+jx		Ω
F = 150 MHz						
Min Gain				0		dB
Max Gain				36		dB
Noise Figure ¹				10.25		dB
Input IP2				+24		dBm
Input IP3				-13		dBm
Image Rejection				35		dBc
FullScale Input Power				+4		dBm
Input Impedance				200+jx		Ω
F = 200 MHz						
Min Gain				0		dB
Max Gain				36		dB
Noise Figure ¹				10.25		dB
Input IP2				+24		dBm
Input IP3				-13		dBm
Image Rejection				35		dBc
FullScale Input Power				+4		dBm
Input Impedance				200+jx		Ω
F = 250 MHz						
Min Gain				0		dB
Max Gain				36		dB
Noise Figure ¹				10.25		dB
Input IP2				+24		dBm

Preliminary Technical Data

AD6650

Input IP3				-13		dBm
Image Rejection				35		dBc
FullScale Input Power				+4		dBm
Input Impedance				200+jx		Ω
F = 300 MHz						
Min Gain				0		dB
Max Gain				36		dB
Noise Figure ¹				10.25		dB
Input IP2				+24		dBm
Input IP3				-13		dBm
Image Rejection				35		dBc
FullScale Input Power				+4		dBm
Input Impedance				200+jx		Ω

¹This Measurement applies in Maximum Gain (+36 dB)

DIGITAL SPECIFICATIONS

(T_{MIN} to T_{MAX}, AVDD, CLKVDD, DVDD = +3.3v, unless otherwise noted)

Parameter	Temp	Test Level	AD6650BBC			Units
			MIN	Typ	Max	
VDD		IV	3.0	3.3	3.6	V
VDDIO		IV	3.0	3.3	3.6	V
AVDD		IV	3.0	3.3	3.6	V
T _{AMBIENT}		IV	-40	+25	+85	°C

ELECTRICAL CHARACTERISTICS

Parameter (Conditions)	Temp	Test Level	AD6650BBC			Units	
			Min	Typ	Max		
LOGIC INPUTS							
Logic Compatibility	Full		3.3V CMOS				
Logic "1" Voltage			VDD-0.9		VDD		V
Logic "0" Voltage			0		0.9		V
Logic "1" Current			-10		+10		μA
Logic "0" Current			-10		10		μA
Input Capacitance					5		pF
LOGIC OUTPUTS							
Logic Compatibility	Full	IV	3.3VCMOS/TTL			V	
Logic "1" Voltage (I _{OH} =0.25mA)	Full		2.4	VDD-0.2			
Logic "0" Voltage (I _{OL} =0.25mA)	Full			0.2	0.4		
IDD SUPPLY CURRENT							
CLK=104 MHz (GSM Example)	+25°C	V					
I _{VDD}							mA
I _{VDDIO}							mA
I _{AVDD}							mA
POWER DISSIPATION							
CLK=104 MHz GSM/EDGE Example		V	1.2			W	

Preliminary Technical Data

GENERAL TIMING CHARACTERISTICS

AD6650

Parameter (Conditions)	Temp	Test Level	AD6650			Units
			Min	Typ	Max	
<i>CLK Timing Requirements:</i>						
t _{CLK} CLK Period	Full	I	9.6			ns
t _{CLKL} CLK Width Low	Full	IV		0.5 x t _{CLK}		ns
t _{CLKH} CLK Width High	Full	IV		0.5 x t _{CLK}		ns
<i>/RESET Timing Requirements:</i>						
t _{RESL} /RESET Width Low	Full	IV	30			ns
<i>SYNC Timing Requirements:</i>						
t _{SS} SYNC to ↑CLK Setup Time	Full	IV				ns
t _{HS} SYNC to ↑CLK Hold Time	Full	IV				ns
<i>Master Mode Serial Port Timing Requirements (SBM=1):</i>						
<i>Switching Characteristics²</i>						
t _{DCLK1} ↑CLK to ↑SCLK Delay (divide by 1)	Full	IV	3.9		13.4	ns
t _{DCLKH} ↑CLK to ↑SCLK Delay (for any other divisor)	Full	IV	4.4		14.0	ns
t _{DCLKL} ↑CLK to ↓SCLK Delay (divide by 2 or even #)	Full	IV	3.25		6.7	ns
t _{DCLKLL} ↓CLK to ↓SCLK Delay (divide by 3 or odd #)	Full	IV	3.8		6.9	ns
t _{DSDFS} ↑SCLK to SDFS Delay	Full	IV		3.02		ns
t _{DSDO} ↑SCLK to SDO Delay	Full	IV		2.7		ns
t _{DSD1} ↑SCLK to SD1 Delay	Full	IV		2.6		ns
t _{DSDR} ↑SCLK to DR Delay	Full	IV		2.7		ns
<i>Slave Mode Serial Port Timing Requirements (SBM=0):</i>						
<i>Switching Characteristics²</i>						
t _{SCLK} SCLK Period	Full	IV	16.0			ns
t _{SCLKL} SCLK low time (when SDIV=1, divide by 1)	Full	IV	5.0			ns
t _{SCLKH} SCLK high time (when SDIV=1, divide by 1)	Full	IV	5.0			ns
t _{DSDO} ↑SCLK to SDO Delay	Full	IV		6.8		ns
t _{DSD1} ↑SCLK to SD1 Delay	Full	IV		6.8		ns
t _{DSDR} ↑SCLK to DR Delay	Full	IV		6.9		ns
<i>Input Characteristics</i>						
t _{SSF} SDFS to ↑SCLK Setup Time	Full	IV		2.6		ns
t _{HSF} SDFS to ↑SCLK Hold Time	Full	IV		-1.15		ns

¹All Timing Specifications valid over VDD range of 3.0V to 3.6V and VDDIO range of 3.0V to 3.6V.

²The timing parameters for SCLK, SDFS, SDO0, SDO1, and DR apply to both channels (0, 1). The Slave serial port's (SCLK) operating frequency is limited to 52 MHz.

³Specification pertains to control signals: RW, (/WR), /DS, (/RD), /CS

⁴(C_{LOAD}=40pF on all outputs unless otherwise specified)

Preliminary Technical Data

AD6650

MICROPROCESSOR PORT TIMING CHARACTERISTICS¹

		Temp	Test Level	Min	AD6650 Typ	Max	Units
MICROPROCESSOR PORT, MODE INM (MODE=0)							
<i>MODE INM Write Timing:</i>							
t _{SC}	Control ³ to ↑CLK Setup Time	Full	IV	5.5			ns
t _{HC}	Control ³ to ↑CLK Hold Time	Full	IV	1.0			ns
t _{HWR}	/WR(RW) to RDY(/DTACK) Hold Time	Full	IV	8.0			ns
t _{SAM}	Address/Data to /WR(RW) Setup Time	Full	IV	-0.5			ns
t _{HAM}	Address/Data to RDY(/DTACK) Hold Time	Full	IV	7.0			ns
t _{DRDY}	/WR(RW) to RDY(/DTACK) Delay	Full	IV	4.0			ns
t _{ACC}	/WR(RW) to RDY(/DTACK) High Delay	Full	IV	4*t _{CLK}		5*t _{CLK}	ns
<i>MODE INM Read Timing:</i>							
t _{SC}	Control ³ to ↑CLK Setup Time	Full	IV	4.0			ns
t _{HC}	Control ³ to ↑CLK Hold Time	Full	IV	2.0			ns
t _{SAM}	Address to /RD(/DS) Setup Time	Full	IV	0.0			ns
t _{HAM}	Address to Data Hold Time	Full	IV	7.0			ns
t _{ZD}	Data Tri-state Delay	Full	IV				ns
t _{DD}	RDY(/DTACK) to Data Delay	Full	IV				ns
t _{DRDY}	/RD(/DS) to RDY(/DTACK) Delay	Full	IV	4.0			ns
t _{ACC}	/RD(/DS) to RDY(/DTACK) High Delay	Full	IV	4*t _{CLK}		7*t _{CLK}	ns
MICROPROCESSOR PORT, MODE MNM (MODE=1)							
<i>MODE MNM Write Timing:</i>							
t _{SC}	Control ³ to ↑CLK Setup Time	Full	IV	5.5			ns
t _{HC}	Control ³ to ↑CLK Hold Time	Full	IV	1.0			ns
t _{HDS}	/DS(/RD) to /DTACK(RDY) Hold Time	Full	IV	8.0			ns
t _{HRW}	RW(/WR) to /DTACK(RDY) Hold Time	Full	IV	8.0			ns
t _{SAM}	Address/Data To RW(/WR) Setup Time	Full	IV	-0.5			ns
t _{HAM}	Address/Data to RW(/WR) Hold Time	Full	IV	7.0			ns
t _{DDTACK}	/DS(/RD) to /DTACK(RDY) Delay	Full	IV				ns
t _{ACC}	RW(/WR) to /DTACK(RDY) Low Delay	Full	IV	4*t _{CLK}		5*t _{CLK}	ns
<i>MODE MNM Read Timing:</i>							
t _{SC}	Control ³ to ↑CLK Setup Time	Full	IV	4.0			ns
t _{HC}	Control ³ to ↑CLK Hold Time	Full	IV	2.0			ns
t _{HDS}	/DS(/RD) to /DTACK(RDY) Hold Time	Full	IV	8.0			ns
t _{SAM}	Address to /DS(/RD) Setup Time	Full	IV	0.0			ns
t _{HAM}	Address to Data Hold Time	Full	IV	7.0			ns
t _{ZD}	Data Tri-State Delay	Full	IV				ns
t _{DD}	/DTACK(RDY) to Data Delay	Full	IV				ns
t _{DDTACK}	/DS(/RD) to /DTACK(RDY) Delay	Full	IV				ns
t _{ACC}	/DS(/RD) to /DTACK(RDY) Low Delay	Full	IV	4*t _{CLK}		7*t _{CLK}	ns
<i>MODE I²C Timing:</i>							
t _{DSCL}	↑SCL to SDA Delay	Full	IV		61		ns
t _{DSDA}	SDA to ↑SCL Delay	Full	IV		57		ns
t _{SSCL} ⁵	↑CLK to ↑SCL Delay	Full	IV		5		ns

¹All Timing Specifications valid over VDD range of 3.0V to 3.6V and VDDIO range of 3.0V to 3.6V.

²The timing parameters for SCLK, SDFS, SDO0, SDO1, and DR apply to both channels (0, 1)

³Specification pertains to control signals: RW, (/WR), /DS, (/RD), /CS

⁴(C_{LOAD}=40pF on all outputs unless otherwise specified)

⁵There is no hold time for SDA because as this waits for a negative transition (↓) on SCL to transition.

TIMING DIAGRAMS

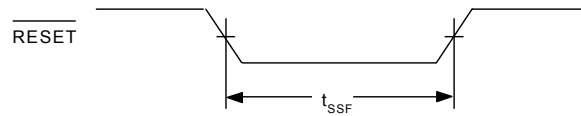


Figure x. Reset Timing Requirements

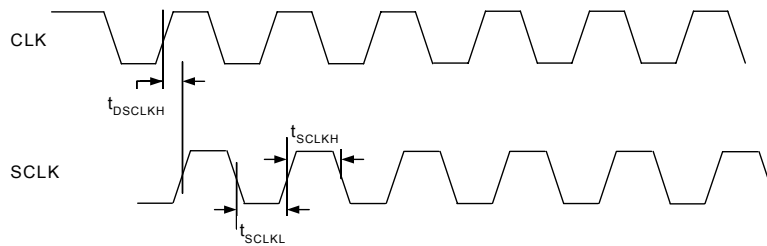


Figure x. SCLK Switching Characteristics (Divide by 1)

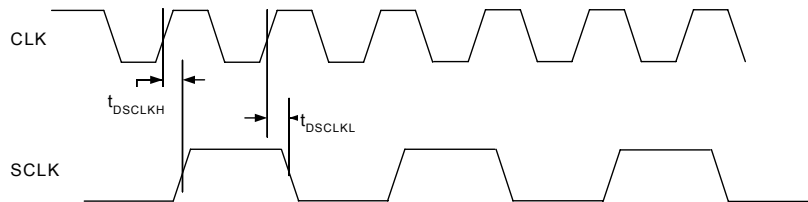


Figure x. SCLK Switching Characteristics (Divide by 2 or EVEN integer)

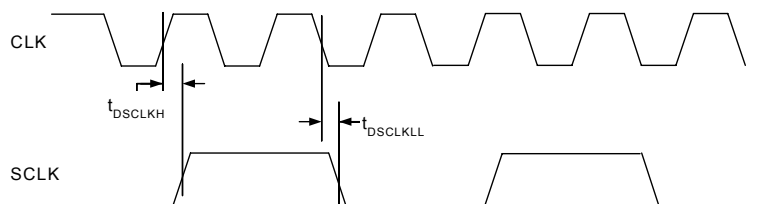


Figure x. SCLK Switching Characteristics (Divide by 3 or ODD integer)

TIMING DIAGRAMS

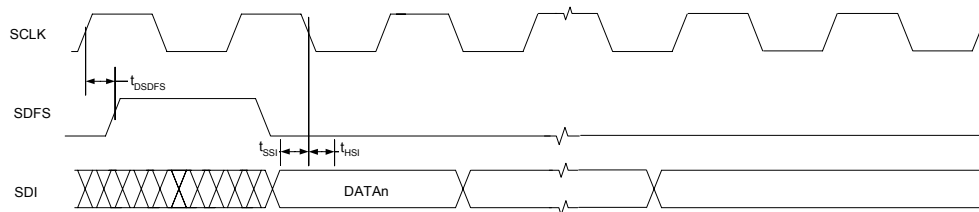


Figure x. Serial Port Switching Characteristics

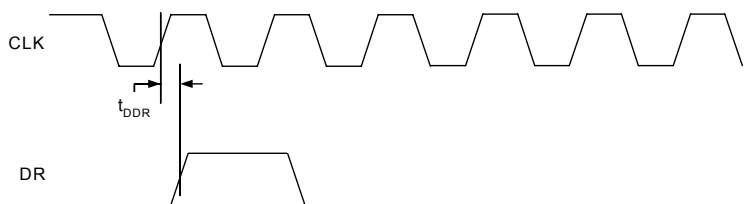


Figure x. CLK, DR Switching Characteristics

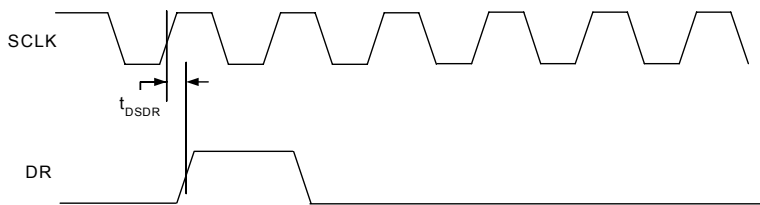


Figure x. SCLK, DR Switching Characteristics

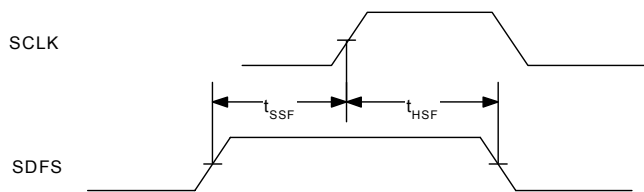


Figure x. SDFS Timing Requirements (SBM=0)

TIMING DIAGRAMS

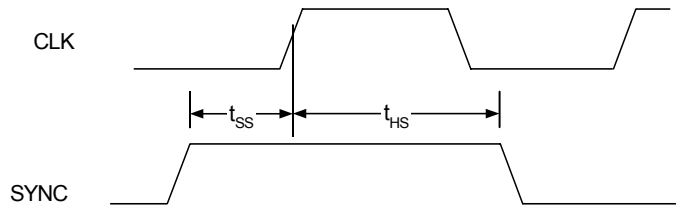
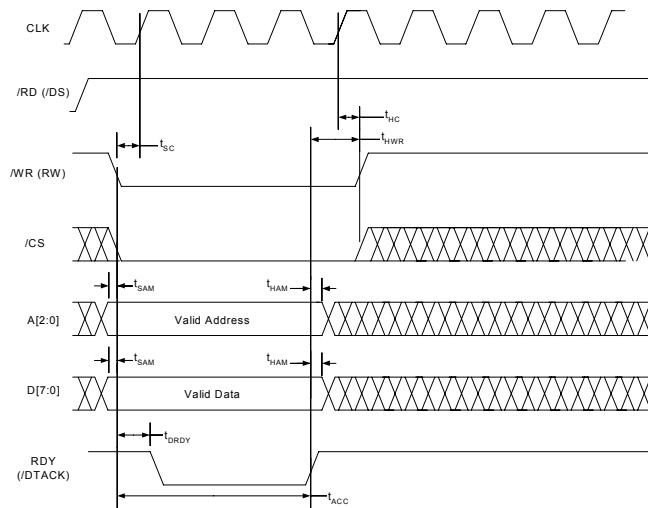


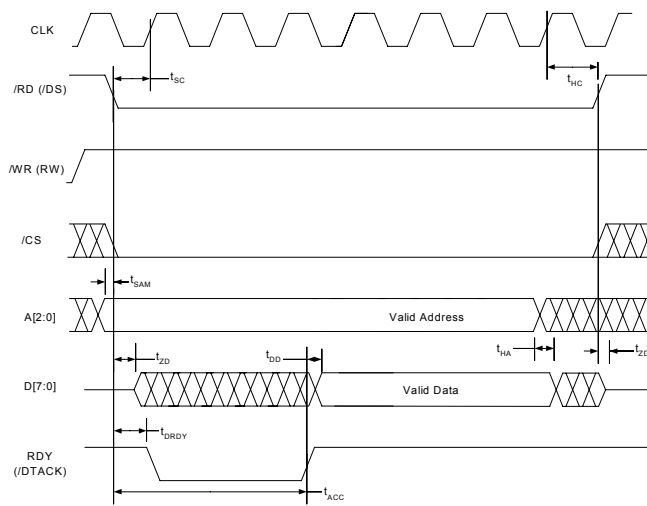
Figure x. SYNC Timing Inputs

TIMING DIAGRAMS – INM Microport Mode



Notes:
 1. t_{ACC} Access time depends on the Address accessed. Access time is measured from FE of /WR to RE of RDY.
 t_{ACC} requires a maximum of 9 CLK periods

Figure 16. INM Microport Write Timing Requirements.



Notes:
 1. t_{ACC} Access time depends on the Address accessed. Access time is measured from FE of /WR to RE of RDY.
 t_{ACC} requires a maximum of 13 CLK periods and applies to A[2:0]=7,6,5,3,2,1

Figure 17. INM Microport Read Timing Requirements.

ABSOLUTE MAXIMUM RATINGS¹

Supply Voltage.....	-0.3V to 3.3v
Input Voltage.....	-0.3 to 3.6V
Output Voltage Swing.....	-0.3V to VDDIO +0.3V
Load Capacitance.....	200pF
Junction Temperature Under Bias.....	+125°C
Storage Temperature Range.....	-65°C to +150°C
Lead Temperature (5 sec).....	+280°C

Notes

¹Stresses greater than those listed above may cause permanent damage to the device. These are stress ratings only; functional operation of the devices at these or any other conditions greater than those indicated in the operational sections of this specification is not implied. Exposure to absolute maximum rating conditions for extended periods may affect device reliability.

Thermal Characteristics

121-Pin Ball Grid Array:

θ_{JA} =28.1°C/Watt, no airflow

θ_{JA} =XX°C/Watt, 200-lfpm airflow

Thermal measurements made in the horizontal position on a 4-layer board.

EXPLANATION OF TEST LEVELS

- I 100% Production Tested.
- II 100% Production Tested at 25°C, and Sampled Tested at Specified Temperatures.
- III Sample Tested Only
- IV Parameter Guaranteed by Design and Analysis
- V Parameter is Typical Value Only
- VI 100% Production Tested at 25°C, and Sampled Tested at Temperature Extremes

ORDERING GUIDE

Model	Temperature Range	Package Description	Package Option
AD6650BBC ¹	-40°C to +85°C (Ambient)	121- Pin Ball Grid Array	
AD6650/PCB		Evaluation Board with AD6650 and Software	

Notes

¹X-Grade Material is Pre-Production material, normally shipped during product characterization and qualification.

ESD SENSITIVITY

The AD6650 is an ESD (electrostatic discharge) sensitive device. Electrostatic charges as high as 4000 V readily accumulate on the human body and test equipment and can discharge without detection. Although the AD6650 features proprietary ESD protection circuitry, permanent damage may occur on devices subjected to high-energy electrostatic discharges. Therefore, proper ESD precautions are recommended to avoid performance degradation or loss of functionality.

Preliminary Technical Data

AD6650

Pin Configuration

	1	2	3	4	5	6	7	8	9	10	11	
A	DGND	TDI	TMS	/TRST	/RESET	DNC	AVDD	CLK	/CLK	AGND	AGND	A
B	SDFS	SCLK	TDO	TCLK	SYNC	DNC	AVDD	AVDD	AGND	AGND	/BIN	B
C	SD1	SD0	DVDD	DVDD	DVDD	DVDD	AVDD	AVDD	AGND	AGND	BIN	C
D	D7	DR	DVDD	DGND	DGND	DGND	AVDD	AVDD	AGND	AGND	AGND	D
E	D5	D6	DVDD	DGND	DGND	DGND	AVDD	AVDD	AGND	AGND	LF	E
F	D3	D4	DVDD	DGND	DGND	DGND	AVDD	AVDD	AGND	XVCOB	XVCO	F
G	D1	D2	DVDD	DGND	DGND	DGND	AVDD	AVDD	AGND	AGND	CP	G
H	/DS	D0	DVDD	DGND	DGND	DGND	AVDD	AVDD	AGND	AGND	AGND	H
J	RW	/DTACK	DVDD	DVDD	DVDD	DVDD	AVDD	AVDD	AGND	AGND	AIN	J
K	A2	A1	/CS	MODE1	CHIP_ID1	DNC	AVDD	REFGND	REFT	AGND	/AIN	K
L	DGND	A0	MODE2	MODE0	CHIP_ID0	DNC	AVDD	VREF	REFB	AGND	AGND	L
	1	2	3	4	5	6	7	8	9	10	11	

Pin Function Descriptions

Name	Type	Function	# of Pins
POWER SUPPLY			
DVDD	P	3.3V Digital Core/IO Supply	13
AVDD	P	3.3V Analog Supply	9
DGND	G	Digital Ground	17
AGND	G	Analog Ground	22
INPUTS			
/RESET	I	Active Low Reset Pin	1
SYNC	I	Synchronizes Digital Filters and AGC loop	1
CHIP_ID[1:0]	I	Chip ID	2
SERIAL DATA PORT			
SCLK	I/O	Bi-directional Serial Clock	1
SDFS	I/O	Bi-directional Serial Data Frame Sync	1
SD0	O/T	Serial Data Output	1
SD1	O/T	Serial Data Output	1
DR	O	Output Data Ready Indicator	1
¹MICROPORT/SERIAL CONTROL			
² D[7:0]	I/O/T	Bi-directional Microport Data	8
A[2:1]	I	Microport Address Bits 2 and 1	2
A0	I/O/T	Microport Address bit 0	1
/CS	I	Chip Select	1
/DS(/RD)	I/O/T	Active Low Data Strobe (Active Low Read)	1
/DTACK(RDY)	I/O/T	Active Low Data Acknowledge (Microport Status Bit)	1
RW(/WR)	I/O/T	Read Write (Active Low Write)	1
MODE[2:0]	I	Selects Control Port Mode	3
JTAG			
/TRST	I	Test Reset Pin	1
TCLK	I	Test Clock Input	1
TMS	I	Test Mode Select Input	1

Preliminary Technical Data

AD6650

TDO	O/T	Test Data Output	1
TDI	I	Test Data input	1
Analog Inputs			
Ain	I	Main Analog Input	1
Ain/	I	Complement of AIN, differential analog input	1
Bin	I	Diversity Analog Input	1
Bin/	I	Complement of BIN, differential analog input	1
PLL Inputs			
CPOut	O	Charge Pump Out	1
LF	I	Loop Filter	
XVCO	I	External VCO Input [No Connection required if internal VCO used]	1
XVCOB	I	External VCO Input Complement [No connection required if internal VCO used]	1
REFT; REFB; VREF	O	Internal ADC Voltage Reference; bypass to ground with capacitor[3]; See Schematic for Proper hook-up	3
REFGND	G	ADC Ground Reference; See Schematic for Proper hook-up	
Clock Inputs			
CLK	I	Encode Input, conversion initiated on rising edge	1
CLK/	I	Complement of Encode	1
DNC	N/A	Do Not Connect	4

ARCHITECTURE

The AD6650 is a mixed-signal received signal processor intended for direct IF sampling radios requiring high symbol rate. It has been optimized for the demanding filtering requirements of GSM and EDGE.

The AD6650 has five signal processing stages: a digital VGA, I&Q Demodulators, 7th Order Low Pass Filters, dual wideband ADC, and Digital Filtering and Control Stage. Programming and control is accomplished via serial and microprocessor interfaces.

DVGA

A gain ranging digital VGA is used to extend the dynamic range of the input signal and prevent signal clipping at the ADC input.

I&Q Demodulators

Frequency translation is accomplished with I&Q demodulators. Real data entering this stage is separated into in-phase (I) and quadrature (Q) components. This stage translates the input signal from an intermediate frequency (IF) to a baseband frequency.

Low Pass Filters

Following frequency translation is a 7th Order Low Pass Active Filter with a 3.5 MHz Bandwidth and RC calibration.

Dual ADCs

The ADC is implemented by providing dual track and holds in front of an AD9238 ADC core. In front of each ADC is a MUX operating at 52 MSPS.

VCO/PLL

A voltage controlled oscillator and phase locked loop circuit generates the appropriate IF frequency for the demodulators.

DIGITAL FILTERS

Following the analog frequency translation is a fourth order Cascaded Integrator Comb (CIC4) filter whose response is defined by the decimation rate.

IIR Stage Next

The final stage is a sum-of-products FIR filter with programmable 20-bit coefficients, and decimation rates programmable from 1 to 4. The RAM Coefficient FIR filter (RCF in the Functional Block Diagram) can handle a maximum of 48 taps.

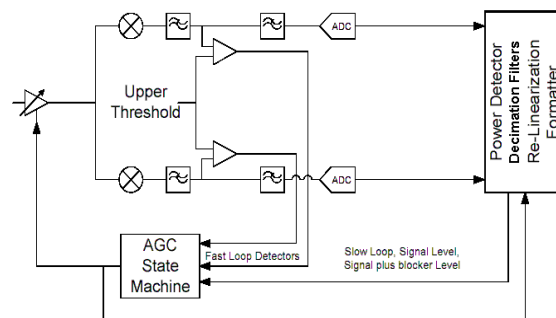
The overall filter response for the AD6650 is the composite of all decimating. Each successive filter stage is capable of

narrower transition bandwidths but requires a greater number of CLK cycles to calculate the output. More decimation in the first filter stage will minimize overall power consumption. Data from the chip is interfaced to the DSP via a high-speed synchronous serial port.

Theory of Operation

AGC LOOP

The AGC consists of three gain control loops; a slow loop following the ADC, a Fast Attack (FA) loop following the base band filter, and the Fast Decay (FD) loop following the decimation filters.

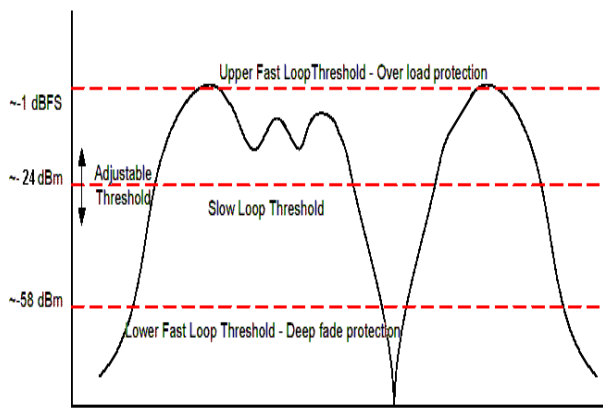


Slow Loop

The slow loop is the main loop and has a 'Loop gain' parameter ($p4^1$) associated with it. This parameter controls the rate of change of the gain and should always be less than 1. The default loop gain used is 1/256. The slow loop attempts to maintain the signal entering the ADC at a given level, which is referred to as the 'Requested level' ($p5$). This level is specified to the loop in dBFS. This level can be between 0dBFS and -24dBFS of the converter in .094dB resolution. The default value is -6.02 dBFS. The slow loop has a 'peak detect' function, the period of which can be set by the user ($p1$). This 'peak detect' period can be set to 1/4 of a symbol period or greater to prevent the AGC loop from gaining off the envelope of the EDGE signal. This works since the Peak Detector works off of the function $dB(\max(|I|, |Q|))$ which reflects all of the IQ samples back into one quadrant of the IQ plane. At a 26MHz sampling frequency, 1 symbol period turns out to be 96 clock cycles; therefore, to obtain a peak detect period of 1/4 symbol, the period should be set to 24 samples.

Fast Attack Loop

The FA loop is based off of an analog threshold detector that prevents overdrive of the analog signal path. In a situation that could potentially overdrive the converter, the FA loop takes over from the slow loop and decreases the gain to the VGA front end. The step size used for the FA loop is programmable between 0 and 1.504dB in .094 dB steps ($p0$). The FA loop also has a counter, which is programmable between 1 and 16. When initialized to 'Count+1', the FA loop decreases the gain for 'Count+1' clock cycles when the threshold is crossed.



Upper Threshold: Fixed level, with programmable step size (analog comparators)
 Slow Loop Threshold: Adjustable level, loop gain (<1), hysteresis, integration period
 Lower Threshold: Adjustable level, adjustable step size, adjustable rate

$$CIC4(f) = \left(\frac{1}{M_{CIC4}} \cdot \frac{\sin\left(\pi \cdot \frac{f \cdot M_{CIC4}}{f_{ADC}}\right)}{\sin\left(\pi \cdot \frac{f}{f_{ADC}}\right)} \right)^4$$

The scale factor, $SCIC4$ is a programmable unsigned integer between 12 and 20. It serves to control the attenuation of the data into the CIC4 stage in 6 dB increments. For the best dynamic range, $SCIC4$ should be set to the smallest value possible (lowest attenuation) without creating an overflow condition.

$$S_{CIC5} = \text{ceil}(4 \times \log_2(M)) - 12$$

The output rate of this stage is given by equation x.

$$f_{SAMP4} \leq \frac{ADC_{OUTPUT}}{M_{CIC4}}$$

Fast Decay Loop

The Fast Decay (FD) loop is a fast loop that increases the gain when the signal falls below a threshold during a deep channel fade or on the Ramp Down. The fast loop accomplishes this task by looking at two outputs. The first is the peak signal plus blocker level at the ADC output (which includes the signal and any blockers that may be passed through by the SAW filter). The second is the peak signal level after the decimation filters and a Blocker Reject Filter have attenuated the blockers. There are two programmable levels that determine when this loop is activated: the Signal Plus Blocker level (SPB_level) and the Signal level (SIG_level). Both these levels are defined in dBFS. Default values stand at -40dBFS for the SPB_level and -60dBFS for the SIG_level. When the 'wideband' signal is below the SPB level (p12) and 'narrowband' information is below the Signal level (p13), the FD loop is activated. This loop overrides the slow loop and has a programmable step size (p7) (currently set at 0.094dB) and a programmable peak detect period (p6) currently set at 4 samples at 1.08MHz.

FOURTH ORDER CASCADED INTEGRATOR COMB FILTER

The CIC4 processing stage implements a sharp fixed-coefficient decimating filter, which is driven by the 12 bit Analog to Digital converter. The maximum input rate into this filter is ADC_{OUTPUT} , which cannot exceed 26 MHz.

The decimation ratio, $MCIC4$, may be programmed from 8 to 32 (all integer values). The frequency response of the filter is given by Equation x. The gain and passband droop of CIC4 should be calculated by these equations. Both parameters may be compensated for in the IIR stage.

$$CIC4(z) = \left(\frac{1}{M_{CIC4}} \cdot \frac{1 - z^{-M_{CIC4}}}{1 - z^{-1}} \right)^4$$

CIC4 Rejection

Table xx illustrates the amount of bandwidth in percentage of the clock rate that can be protected with various decimation rates and alias rejection specifications. The maximum input rate into the CIC4 is 26 MHz, as mentioned above. As in Table xx, these are the 1/2 bandwidth characteristics of the CIC4.

Table x. SSB CIC4 Alias Rejection Table

	-50	-60	-70	-80	-90	-100
8	2.602	2.751	2.867	2.957	3.027	3.080
9	2.311	2.444	2.547	2.627	2.690	2.737
10	2.078	2.199	2.291	2.364	2.420	2.463
11	1.889	1.998	2.083	2.148	2.200	2.239
12	1.731	1.831	1.909	1.969	2.016	2.052
13	1.597	1.690	1.761	1.817	1.861	1.894
14	1.483	1.569	1.635	1.687	1.728	1.759
15	1.384	1.464	1.526	1.575	1.613	1.641
16	1.297	1.373	1.431	1.476	1.512	1.539
17	1.221	1.292	1.346	1.389	1.423	1.448
18	1.153	1.220	1.272	1.312	1.344	1.368
19	1.092	1.156	1.205	1.243	1.273	1.296
20	1.037	1.098	1.144	1.181	1.209	1.231
21	0.988	1.045	1.090	1.124	1.152	1.172
22	0.943	0.998	1.040	1.073	1.099	1.119
23	0.902	0.954	0.995	1.027	1.051	1.070
24	2.602	2.751	2.867	2.957	3.027	3.080
25	0.830	0.878	0.915	0.944	0.967	0.985
26	0.798	0.844	0.880	0.908	0.930	0.947
27	0.768	0.813	0.847	0.874	0.896	0.912
28	0.741	0.784	0.817	0.843	0.864	0.879

29	0.715	0.757	0.789	0.814	0.834	0.849
30	0.691	0.732	0.763	0.787	0.806	0.820
31	0.669	0.708	0.738	0.762	0.780	0.794
32	0.648	0.686	0.715	0.738	0.756	0.769

This table helps to calculate an upper bound on decimation, MCIC4, given the desired filter characteristics.

INFINITE IMPULSE RESPONSE FILTER

The IIR filter of the AD6650 is a 7th order low-pass filter with an Infinite Impulse response. The Z-Transform and coefficients of this filter are shown below.

$$xx_trunc(z) := \frac{(n_0 \cdot z^7 + n_2 \cdot z^5 + n_3 \cdot z^3 + n_1 \cdot z + n_1 \cdot z^6 + n_3 \cdot z^4 + n_2 \cdot z^2 + n_0)}{(d_7 \cdot z^7 + d_5 \cdot z^5 + d_3 \cdot z^3 + d_1 \cdot z) \cdot 2}$$

$$n = \begin{pmatrix} 0.046227 \\ 0.278961 \\ 0.76021 \\ 1.208472 \end{pmatrix} \quad d = \begin{pmatrix} 0 \\ 0.012895 \\ 0 \\ 0.254698 \\ 0 \\ 1.026276 \\ 0 \\ 1 \end{pmatrix}$$

RAM COEFFICIENT FILTER

The final signal processing stage is a sum-of-products decimating filter with programmable coefficients, see Figure x. The data memories I-RAM and Q-RAM store the 24 most recent complex samples from the previous filter stage with 23-bit resolution. The coefficient memory, CMEM, stores up to 48 coefficients with 20-bit resolution. On every CLK cycle, one tap for I and one tap for Q are calculated using the same coefficients. The RCF output consists of 16 or 24-bit data bits.

RCF Decimation Register

Each RCF channel can be used to decimate the data rate. The decimation register is a 2 bit register and can decimate from 1 to 4. The RCF decimation is stored in 0x18 in the form of $M_{RCF}-1$. The input rate to the RCF is $f_{SAMP IIR}$.

RCF Decimation Phase Register

The AD6650 filter channel uses the value stored in this register to pre-load the RCF counter. Therefore instead of starting from 0, the counter is loaded with this value, thus creating an offset in the processing that should be equivalent

to the required processing delay. This data is stored in 0x19 as a 2-bit number.

RCF Filter Length

The maximum number of taps this filter can calculate, N_{taps} , is given by the equation below. The value $N_{taps}-1$ is written to the channel register within the AD6650 at address 0x1B.

$$N_{taps} \leq \min\left(\frac{f_{CLK} \cdot M_{RCF}}{f_{SAMP IIR}}, 48\right)$$

The RCF coefficients are located in addresses 0x40 to 0x6F and are interpreted as 20-bit 2's complement numbers. When writing the coefficient RAM, the lower addresses will be multiplied by relatively older data from the IIR and the higher coefficient addresses will be multiplied by relatively newer data from the IIR. The coefficients need not be symmetric and the coefficient length, N_{taps} , may be even or odd. If the coefficients are symmetric, then both sides of the impulse response must be written into the coefficient RAM.

The RCF stores the data from the IIR into a 46x24 RAM. 23x24 is assigned to I data and 23x24 is assigned to Q data. The RCF uses the RAM as a circular buffer, so that it is difficult to know in which address a particular data element is stored. To avoid start-up transients due to undefined data RAM values, the data RAM should be cleared upon initialization.

When the RCF is triggered to calculate a filter output, it starts by multiplying the oldest value in the data RAM by the first coefficient, which is pointed to by the RCF Coefficient Offset Register (0x1A). This value is accumulated with the products of newer data words multiplied by the subsequent locations in the coefficient RAM until the coefficient address $RCF_{OFF} + N_{taps}-1$ is reached.

Coefficient Address	Impulse Response	Data
0	h(0)	N(0) oldest
1	h(1)	N(1)
2 = (N _{taps} - 1)	h(2)	N(2) newest

Table xx. Three-tap Filter

The RCF Coefficient Offset register can be used for two purposes. The main purpose of this register is to allow for multiple filters to be loaded into memory and selected simply by changing the offset as a pointer for rapid filter changes. The other use of this register is to form part of symbol timing adjustment. If the desired filter length is padded with zeros on the ends, then the starting point can be adjusted to form slight delays in when the filter is computed with reference to the high-speed clock. This allows for vernier adjustment of the symbol timing. Course adjustments can be made with the RCF Decimation Phase.

Preliminary Technical Data

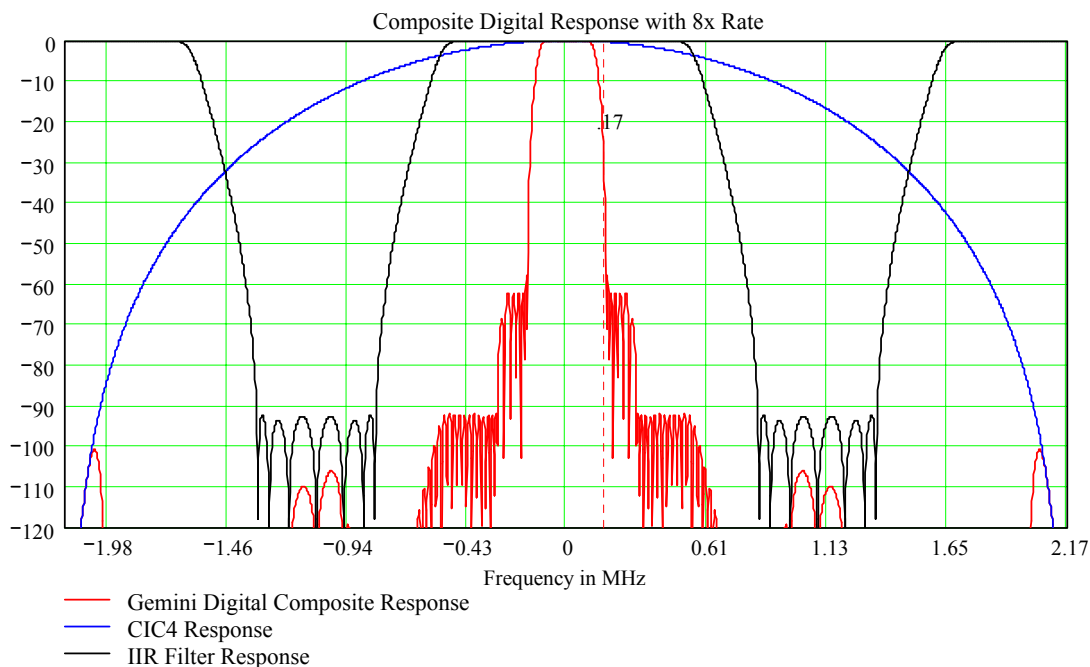
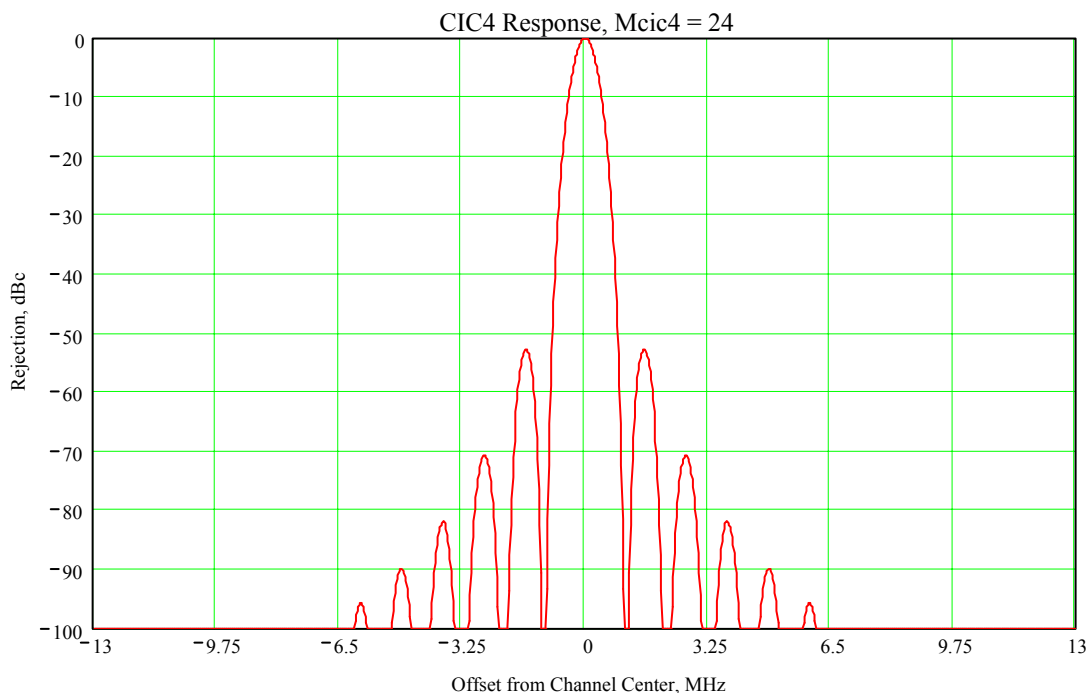
AD6650

The output rate of this filter is determined by the output rate of the IIR stage and M_{RCF} .

$$f_{SAMP\text{PR}} = \frac{f_{SAMP\text{PIR}}}{M_{RCF}}$$

RCF Output Scale Factor and Control Register

Register 0x1C is used to configure the scale factor for RCF filter. This 2 bit register is used to scale the output data in 6 dB increments. The possible output scales range from 0 to -18 dB.



SERIAL OUTPUT DATA PORT

The AD6650 has two configurable serial output ports (SDO0, SDO1). Both ports must be configured the same and programmed using the same control register. The ports also share a common SFDS, SCLK, and DR pin for connection to an external ASIC or DSP. As such, the outputs may be configured as either serial master or serial slave, but cannot be programmed independently.

Serial Output Data Format

The AD6650 utilizes a normal linear binary data format with serial data frame word lengths of 16- or 24-bit precision. In this mode, the data is shifted out of the device in Big Endian format (MSB first).

Serial Data Frame Sync (Serial Bus Master)

The serial data frame is initiated with the Serial Data Frame Sync (SDFS). As each channel within the AD6650 completes a filter cycle, data is transferred into the serial data buffer. In the Serial Bus Master (SBM) mode, the internal serial controller initiates the SDFS on the next rising edge of the serial clock. In the AD6650, there are 3 or 4 modes in which the frame sync may be generated as a Serial Bus Master. In the case where both A and B input channels are processed through SDO0 only, there are four modes, and when A and B input channels are output through SDO0 and SDO1 respectively, there are three modes of operation (mode 0 and 1 are the same). These modes are described in section SDFS Modes.

Serial Data Frame (Serial Cascade)

Any of the AD6650 serial outputs may be operated in the serial cascade mode (serial slave). In this mode, the selected AD6650 channel requires that an external device such as a DSP to issue the serial clock and SDFS.

To operate successfully in the serial cascade mode, the DSP must have some indication that the AD6650 channel's serial buffer is ready to send data. This is indicated by the assertion of the DR. This pin should be tied to an interrupt or flag pin of the DSP. In this manner, the DSP will know when to service the serial port.

When the DSP begins handling the serial service, the serial port should be configured such that the SDFS pin is asserted one clock cycle prior to shifting data. As such, the AD6650 channel samples the SFDS pin on the rising edge of the serial clock. On the next rising edge of the serial clock the AD6650 serial port begins shifting data until the specified number of bits have been shifted.

Configuring the Serial Ports

Both Serial Output Ports can either function as a Master or Slave, but they cannot be set independently. A Serial Bus Master will provide SCLK and SDFS outputs. Serial Ports 0 and 1 will always default to serial slaves when RESET is taken low,

but the Serial Ports can be programmed to become master by setting the SBM bit in the serial control register high.

Serial Port Data Rate

If the Serial Ports are defined as a master, the SCLK frequency is defined by Equation x. f_{SCLK} is the frequency of the master clock of the AD6650 channel and SDIV is the Serial Division word for the channel. The SDIV for Serial Port 0 and 1 can be programmed via the internal control register 0x22.

$$f_{SCLK} = \frac{f_{CLK}}{SDIV + 1}$$

Serial Slave Operation

The AD6650 can also be operated as a serial bus slave. In this configuration, shown in Figure x, the serial clock provided by the DSP can be asynchronous with the AD6650 clock and input data. In this mode the clock has a maximum frequency of 52 MHz and must be fast enough to read the entire serial frame prior to the next frame coming available. The AD6650 output is derived (via the Decimation/Interpolation Rates) from its input sample rate, so the user can determine the output rate. The output rate of the AD6650 is given below.

Serial Ports Cascaded

Serial output ports may be cascaded on the AD6650. This allows data to be shifted out of the master and slave channel in parallel. To accomplish this, the SDFS signal of the master channel drives the SDFS input of the slave channel

Using the AD6650 master/slave mode permits a DSP to shift the data from the master AD6650 serial port, in parallel with a frame of data (I and Q words) from the AD6650 slave port. As shown in Figure xx, the Master Port is Serial Port 0. The Slave Port is Serial Port 0 and 1 from another AD6650. The only limit to the number of ports that can be cascaded comes from serial bandwidth and fan-out considerations.

There must be enough Serial Clock cycles available to shift the necessary data into the DSP, and the SCLK (common to all channels and DSP) must be closely monitored to ensure that it is a clean signal.

Serial Output Frame Timing (Master and Slave)

The SDFS signal transitions accordingly depending on whether the part is in Master (SBM = 1, Figure xx) or Slave (SBM = 0, Figure xx) mode. The next rising edge of SCLK after this occurs will drive the first bit of the serial data on the SDO pin. The falling edge of SCLK or the subsequent rising edge can then be used by the DSP to sample the data until the required number of bits is received (determined by the serial output port word length). If the DSP has the ability to count bits, the DSP will know when the complete frame is received.

Preliminary Technical Data

AD6650

Serial Port Timing Specifications

Whether the AD6650 serial channel is operated as a Serial Bus Master or as a Serial Slave, the serial port timing is identical. Figures xx to xx indicate the required timing for each of the specification.

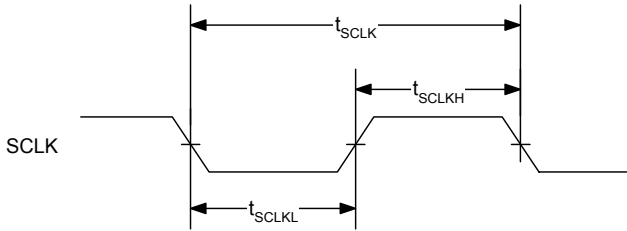


Figure xx. SCLK Timing Requirements

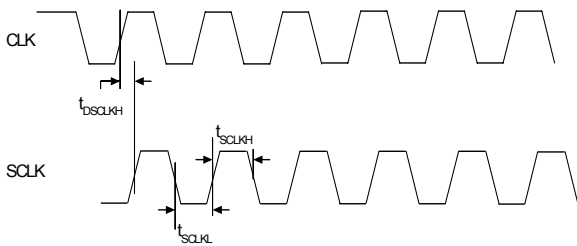


Figure xx. SCLK Switching Characteristics (Divide by 1)

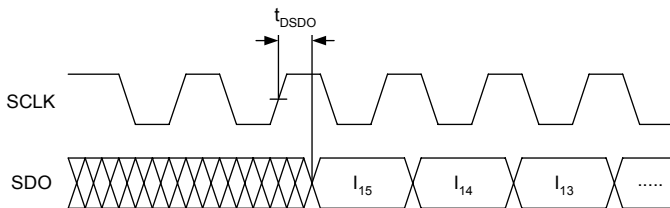


Figure xx. Serial Output Data Switching Characteristics

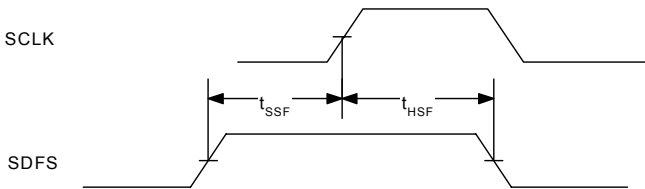


Figure xx. SDFS Timing Requirements (SBM=0)

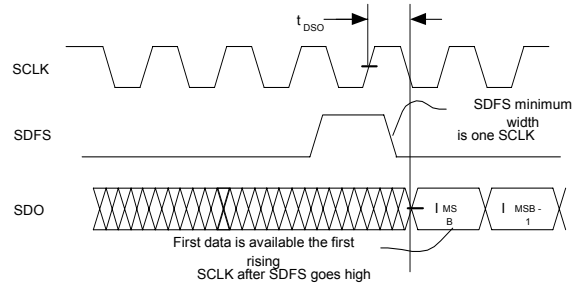


Figure xx. Timing for Serial Output Port (SBM=1)

SCLK

SCLK is an output when SBM is high; SCLK is an input when SBM is low in serial slave mode. All outputs are switched on the rising edge of SCLK. The SDFS pin is sampled on the falling edge of SCLK. This allows the AD6650 to recognize the SDFS in time to initiate a frame on the very next SCLK rising edge. The maximum speed of this port is 52 MHz.

SDO

SDO is the Serial Data Output. Serial output data is shifted on the rising edge of SCLK. On the very next SCLK rising edge after an SDFS, the MSB of the I data from the channel is shifted. On every subsequent SCLK edge a new piece of data is shifted out on the SDO pin until the last bit of data is shifted out. The last bit of data shifted is the LSB of the Channels Q data. SDO is three-stated when the serial port is outside its time-slot. This allows the AD6650 to share the SDIN of a DSP with other AD6650s or other devices.

SDFS

SDFS is the Serial Data Frame Sync signal. SDFS is an output when is high in the master mode. SDFS is an input when SBM is low in the slave mode. SDFS is sampled on the falling edge of SCLK. When SBM is sampled low, the AD6650 serial port will function as a serial slave. In this mode, the port is silent until the DSP issues a frame sync. When the AD6650 detects an SDFS on the falling edge of a DSP-generated serial clock, on the next rising edge of the serial clock, the AD6650 enables the output driver and shifts the MSB of the I word. Data is shifted until the LSB of the Q word has been sent.

When SBM is sampled high, the chip functions as a serial bus master. In this mode, the AD6650 is responsible for generating serial control data. Four modes of that operation are set via channel address 0x22 Bits 6–5.

Serial Word Length

Bit 4 of register 0x22 determine the length of the serial word (I or Q). If this bit is set to '0,' each word is 16 bits (16 bits for I and 16 bits for Q). If this bit is set to '1,' the serial words are 24 bits wide.

SDFS Modes

As mentioned in the section above, Serial Data Frame Sync, there are either 3 or 4 modes of operation depending on how the output of the AD6650 is configured.

Setting Bit 7 of register 0x22 high indicates that input channel A data is output on SDO0 and input channel B is output on SDO1. In this condition there are 3 modes of operation (There are technically 4 modes, but mode 0 and 1 are the same):

Mode 0 and 1 (0x22 Bits 6–5:00; Bit 7:1): The SDFS is valid for one complete clock cycle prior to the data shift. This single pulse is valid for output channel SDO0 and SDO1. On the next clock cycle, the AD6650 begins shifting out the digitally processed data stream. Depending on the bit precision of the serial configuration, either 16, or 24 bits of I data are shifted out, followed by 16 or 24 bits of Q data.

Mode 2 (0x22 Bits 6–5:10; Bit 7:1): Since both SDO0 and SDO1 are used, SDFS pulses high one clock cycle prior to I data and also pulses high one clock cycle prior to Q data for each corresponding input channel. In this mode, there will be 2 SFDS pulses per each output channel.

Mode 3 (0x22 Bits 6–5:11; Bit 7:1): The SDFS is high for the entire time that valid bits are being shifted. On SDO0 this will be either 16 or 24 bits of I data, followed by 16 or 24 bits of Q data corresponding to input channel A and for SDO1, SDFS remains high for 16 or 24 bits of I data, followed by 16 or 24 bits of Q data corresponding to input channel B. The SDFS bit goes high one complete clock cycle before the first bit shifted out of the AD6650.

Setting Bit 7 of register 0x22 low indicates that input channel A and B data will be output to SDO0 only. In this condition there are 4 modes of operation:

Mode 0 (0x22 Bits 6–5:00; Bit 7:0): The SDFS is valid for one complete clock cycle prior to the data shift. There is only a single pulse for both A and B input channels. On the next clock cycle, the AD6650 begins shifting out the digitally processed data stream onto SDO0. Depending on the bit precision of the serial configuration, either 16, or 24 bits of I data, followed by 16 or 24 bits of Q data are shifted out corresponding to input channel A and then either 16, or 24 bits of I data, followed by 16 or 24 bits of Q data corresponding to input channel B are shifted out.

Mode 1 (0x22 Bits 6–5:01; Bit 7:0): The SDFS bit goes high one clock cycle prior to the actual data associated with analog input channel A. When the I and Q data stream is complete, a second SDFS is inserted one clock cycle prior to the shift of the data associated with analog input channel B.

Mode 2 (0x22 Bits 6–5:10; Bit 7:0): SFDS will go high for one complete clock cycle prior to I data and a second SDFS is inserted one clock cycle prior to the shift of the first Q bit, both corresponding to channel A input data. A third and fourth SDFS are inserted a clock cycle prior to the shift of I and Q data

respectively, which corresponds to input channel B data. In this mode there will be a total of 4 SFDS pulses.

Mode 3 (0x22 Bits 6–5:11; Bit 7:0): The SDFS is high for the entire time that valid bits are being shifted, and goes high one complete clock cycle before the first bit is shifted out of the AD6650. On SDO0 there will either 16 or 24 bits of I data, followed by 16 or 24 bits of Q data, then 16 or 24 bits of I data, followed by 16 or 24 bits of Q data corresponding to input channel A and B respectively.

MICROPORT CONTROL

The AD6650 has an 8-bit microprocessor port and 4 serial input ports. The use of each of these ports is described separately below. The interaction of the ports is then described. The Microport interface is a multi-mode interface that is designed to give flexibility when dealing with the host processor. There are two modes of bus operation: Intel non-multiplexed mode (INM), and Motorola non-multiplexed mode (MNM). The mode is selected based on host processor and which mode is best suited to that processor. The micro-port has an 8-bit data bus (D[7:0]), 3-bit address bus(A[2:0]), 3 control pins lines (/CS, /DS or /RD, RW or /WR), and one status pin (DTACK or RDY). The functionality of the control signals and status line changes slightly depending upon the mode that is chosen. Refer to the timing diagrams and the following descriptions for details on the operation of both modes.

External Memory Map

The External Memory Map is used to gain access to the Channel Address Space. The 8-bit data and address buses are used to set the 8 registers that can be seen in the following table. These registers are collectively referred to as the External Interface Registers since they control all accesses to the Channel Address space as well as global chip functions. The use of each of these individual registers is described below in detail.

External Memory Map

A[2:0]	Name	Comment
111	Access Control Register (ACR)	7: Auto Increment 6: Broadcast 5-2: Instruction[3:0] 1-0: A[9:8]
110	Channel Address Register (CAR)	7-0: A[7:0]
101	Special Function Register 2 (SF2)	6: AGC sync Enable 5: DC correction sync enable 4: PN sync enable 3-1: Reserved 0: Issue soft sync
100	Special Function Register 1 (SF1)	5: First Sync only 4: Enable edge-sensitivity 3-1: Reserved
011	Special Function Register 0 (SF0)	7-4: Reserved 3: Status of Channel B 2: Enable Channel B 1: Status of Channel A 0: Enable Channel A
010	Data Register 2 (DR2)	7-4: Reserved 3-0: D[19:16]
001	Data Register 1 (DR1)	15-8: D[15:8]
000	Data Register 0 (DR0)	7-0: D[7:0]

Table xx. External Memory Map

Access Control Register (ACR)

The Access Control Register serves to define the channel or channels that receive an access from the micro-port or I²C port.

Bit 7 of this register is the Auto-Increment bit. If this bit is a 1 then the CAR register described below will increment its value after every access to the channel. This allows blocks of address space such as Coefficient Memory to be initialized more efficiently.

Bit 6 of the register is the Broadcast bit and determines how bits 5-2 are interpreted. The Broadcast bit should be set high so that bits 5-2, which are referred to as Instruction bits (Instruction [3:0]), allows a single or multiple (up to 4) AD6650 chip(s) to be configured simultaneously. There are 10 possible instructions that are defined in the table below. The x's in the table represent don't cares in the digital decoding.

Microport Instructions

Instruction	Comment:
0000	All Chips will get the access.
0001	All Chips will get the access.
0010	All Chips will get the access.
0100	All Chips will get the access.
1000	All Chips with Chip_ID[0] = xxx 0 will get the access. ¹
1001	All Chips with Chip_ID[0] = xxx1 will get the access. ¹
1100	All Chips with Chip_ID[1:0] = xx00 will get the access. ¹
1101	All Chips with Chip_ID[1:0] = xx01 will get the access. ¹
1110	All Chips with Chip_ID[1:0] = xx10 will get the access. ¹
1111	All Chips with Chip_ID[1:0] = xx11 will get the access. ¹

¹A[9:8] bits control which channel is decoded for the access.

Table xx. Microport Instructions

When broadcast is enabled (bit 6 set high) read back is not valid because of the potential for internal bus contention. Therefore, if read back is subsequently desired, the broadcast bit should be set low.

Bits 1-0 of this register are address bits that decode which of the two channels are being accessed. Because the channels of the AD6650 cannot be programmed independently, these bits should be set to 0.

Channel Address Register (CAR)

This register represents the 8-bit internal address of each channel. If the Auto-Increment bit of the ACR is 1 then this value will be incremented after every access to the DR0 register, which will in turn access the location pointed to by this address. The Channel Address register cannot be read back while the Broadcast bit is set high.

Special Function Registers

The AD6650 has three special function registers, SF0, SF1, and SF2 that control synchronizing and enabling the channels. SF0 is the channel enable register, SF1 is the pin-sync register, and SF2 is the soft-sync register. For SF0, bits 0 and 2 allow the channels A and B, respectively to come out of sleep based on the method selected in SF1. Bits 1 and 3 are read-only and indicate whether or not channels A and B, respectively are active. A 1 indicates the channel is active and a 0 indicates it is not active. Bits 4 through 7 are unused.

For SF1, if bit 0 is set to 1, then both channels will wait for a pulse to appear on the SYNC pin before coming out of sleep; otherwise, the channels will assume a soft start is desired and wait for the start hold-off counter to issue a sync. When bit 5 is set, both channels ignore all subsequent attempts to resync once they are awake.

For SF2, bit 0 tells the startup block to run the start hold-off counter from the value programmed into the start hold-off counter control register and issue a sync when done. Bits 4-

6 can be used to enable syncs to individual blocks in the channels.

Data Address Registers

External Address [2-0] form the data registers DR2, DR1 and DR0 respectively. All internal data words have widths that are less than or equal to 20 bits. Accesses to External Address [0] DR0 trigger an internal access to the AD6650 based on the address indicated in the ACR and CAR. Thus during writes to the internal registers, External Address [0] DR0 must be written last. At this point data is transferred to the internal memory indicated in A[9:0]. Reads are performed in the opposite direction. Once the address is set, External Address [0] DR0 must be the first data register read to initiate an internal access. DR2 is only 4 bits wide. Data written to the upper 4 bits of this register will be ignored. Likewise reading from this register will produce only 4 LSBs.

Write Sequencing

Writing to an internal location is achieved by first writing the upper two bits of the address to bits 1 through 0 of the ACR. Bits 7:2 may be set to select the channel as indicated above. The CAR is then written with the lower eight bits of the internal address (it doesn't matter if the CAR is written before the ACR as long as both are written before the internal access). Data register 2, (DR2) and register 1 (DR1) must be written first because the write to data register DR0 triggers the internal access. Data register DR0 must always be the last register written to initiate the internal write.

Read Sequencing

Reading from the micro port is accomplished in the same manner. The internal address is set up the same way as the write. A read from data register DR0 activates the internal read, thus register DR0 must always be read first to initiate an internal read followed by DR1 and DR2. This provides the 8 LSBs of the internal read through the micro port (D[7:0]). Additional data registers can be read to read the balance of the internal memory.

Read/Write Chaining

The micro port of the AD6650 allows for multiple accesses while /CS is held low (/CS can be tied permanently low if the micro port is not shared with additional devices). The user can access multiple locations by pulsing the /WR or /RD line and changing the contents of the external three bit address bus. External access to the external registers of Table 2 is accomplished in one of two modes using the /CS, /RD, /WR, and MODE inputs. The access modes are Intel Non-Multiplexed mode and Motorola Non-Multiplexed mode. These modes are controlled by the MODE input (MODE=0 for INM, MODE=1 for MNM). /CS, /RD, and /WR control the access type for each mode.

Programming Modes

The AD6650 can be programmed using several different modes. These modes include two micro-port modes, Intel Non-Multiplexed mode and Motorola Non-Multiplexed Mode, and a serial port mode, I²C. The programming mode can be selected by writing the appropriate 3-bit word to the mode pins. The following table identifies which word selects the desired mode.

Mode [2:0]	Comment:
000	Micro-Port Intel Non-Multiplexed Mode
001	Micro-Port Motorola Non-Multiplexed Mode
010	Reserved
011	Reserved
100	I ² C
101	Reserved
110	Reserved
111	Reserved

Intel Non-Multiplexed Mode (INM)

Setting the mode word bits to 000 will enable the AD6650 microprocessor in INM mode. The access type is controlled by the user with the /CS, /RD (/DS), and /WR (RW) inputs. The RDY (/DTACK) signal is produced by the micro port to communicate to the user that an access has been completed. RDY (/DTACK) goes low at the start of the access and is released when the internal cycle is complete. See the timing diagrams for both the read and write modes in the Specifications.

Motorola Non-Multiplexed Mode (MNM)

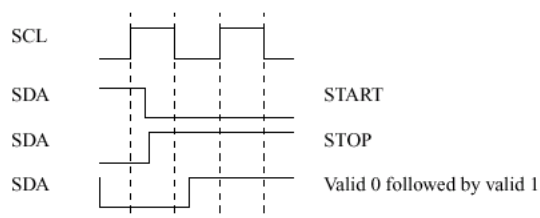
Setting the mode word bits to 001 will enable the AD6650 microprocessor in MNM mode. The access type is controlled by the user with the /CS, /DS (/RD), and RW (/WR) inputs. The /DTACK (RDY) signal is produced by the micro port to communicate to the user that an access has been completed. /DTACK (RDY) goes low when an internal access is complete and then will return high after /DS (/RD) is de-asserted. See the timing diagrams for both the read and write modes in the Specifications.

I²C Control

I²C programming is selected by setting MODE =100. I²C is a two-line bi-directional serial interface specification developed by Phillips that the AD6650 uses to program the control registers/ coefficient memory address space. It uses one data line (SDA) and one clock line (SCL) to transfer data between a master device and a slave device. The AD6650 can only act as an I²C slave, so a master device is always needed to program it in I²C mode. I²C data transfers or the AD6650 comply with the Standard-mode transfer, up to 100 kHz. An I²C bus can be multi-master and/or multi-slave relying on the wired-and function of the devices connected to it to indicate that the bus is free. To comply with this, the I²C pins on the AD6650 are open-drain

outputs, meaning that they can drive a logic low, but not a logic high. The pins tri-state to indicate a logic-high and this is pulled high on the bus by external pull-up resistors to provide a logic high to the other devices on the bus. For a single-master, single-slave configuration, a 2.2 k-ohm resistor should be sufficient on each of the I²C lines.

Stable data is transferred on SDA when SCL is high, meaning that SDA can only be changed when SCL is low. If SDA transitions while SCL is high, this indicates to the AD6650 that a new transfer is being initiated on the I²C bus. A start condition from the master initiates a transfer between I²C devices and a stop condition ends one. A START condition is signaled by transitioning the SDA line from high to low while SCL is high and a transition from low to high while SCL is high indicates a STOP condition.



Acknowledge (ACK) is obligatory in I²C, so the receiver must send an acknowledge back to the transmitter after each byte is transferred. The master generates the acknowledge-related clock pulse after a given byte is transmitted and releases the SDA line. The receiver must pull the SDA line to a stable low before the high period of the extra clock pulse to signal receipt of the transmitted byte.

I²C Access

Once a start condition has been generated, the master must transmit the AD6650's 1-byte device ID and a read/write bit to indicate that the rest of the access to follow is intended for it (the read/write bit and the LSB of the ID are xor'ed together to create one byte). The I²C device ID of the AD6650 is 0010 0000 or 20 (hex). Next, the master must transmit the instruction byte to the AD6650 indicating the type of access to the EIR.

Bit	Comment:
7	Read/Write
6	x
5	SI[2]
4	SI[1]
3	SI[0]
2	A[2]
1	A[1]
0	A[0]

Table xx. I²C Instruction Byte

Each instruction byte indicates whether the EIR is being written or read (R/Wn), which serial instruction (SI [2:0]) is being executed and which register (A [2:0]), if appropriate,

is being accessed. The serial instruction is decoded according to the following table.

Read/Write	SI[2:0]	Function
0	000	Write 1 byte: A[2:0] determines EIR address
0	001	Write 2 bytes: ACR and CAR
0	010	Write 2 bytes: CAR and DR0
0	011	Write 3 bytes: ACR, CAR and DR0
0	100	Write 4 bytes: ACR, CAR, DR1 and DR0
0	101	Write 5 bytes: ACR, CAR, DR2, DR1, and DR0
0	110	Write 8 bytes: All EIR addresses, ACR to DR0
0	111	Write 3 bytes: DR2, DR1, and DR0
1	000	Read 1 byte: A[2:0] determines EIR address
1	001	Write 2 bytes: ACR and CAR
1	010	Write 1 byte: CAR; then read 1 byte: DR0
1	011	Write 2 bytes: ACR then CAR; then read 1 byte: DR0
1	100	Write 2 bytes: ACR then CAR; then read 2 bytes: DR0 then DR1
1	101	Write 2 bytes: ACR then CAR; then read 3 bytes: DR0, DR1, then DR2
1	110	Read 8 bytes: all EIR addresses DR0 to ACR
1	111	Read 3 bytes: DR0, DR1, then DR2

Table xx. I²C Instructions

After the instruction byte, the appropriate data must be written to or read from the EIR. Finally, a STOP condition is sent to end the transfer.

Pin Multiplexing

Since the programming modes of the AD6650 are all mutually exclusive, the pins used for each mode are all multiplexed together and are named after their microport function. For I²Cmode, the SCL pin is the DSn pin in microport mode and the SDA pin is the DTACKn pin in microport mode.

AD6650 Memory Map

CH Address	Register	Bit Width	Bit Definitions
0 (Hex)	Clock Divider Control		0: Clock_DIV 1: Divide by 2 0: No Divide
1	PLL Register 0	22	
2	PLL Register 1	22	
3	PLL Register 2	22	
4	PLL Register 3	22	
5	Clamp Control		1: Disable B 0: Disable A
6	Aux DAC A	8	Aux_DACA
7	Aux DAC B	8	Aux_DACB
8	Aux DAC Control	8	7-5: FS Current Adjust B 4: Enable DAC B 3-1: FS Current Adjust A 0: Enable DAC A
9	ADC Dither Control	2	1: High Dither Power 0: Enable Dither
A	DC Correction BW	16	15-0: Correction BW
B	DC Correction Control	7	6: Multiply by .75 5-2: Scalar 1: PN_EN 0: Enable
C	AGC Control 0	4	3: Force VGA Gain 2: FD_Enable 1: FA_Enable 0: Slow Loop Enable
D	AGC Control 1	9	8-0: VGA_Gain
E	AGC Control 2	16	15-8 Hysterisis 7-0: Requested Level
F	AGC Control 3	11	10-8: Loop Gain-Exp 7-0: Loop Gain-Mant
10	AGC Control 4	12	12-10: FD_Step-1 9-8: FA_Thresh 7-4: FA_count 3-0: FA_Step-1
11	AGC Control 5	16	15-8: SpB Peak Detect Period 7-0: S Peak Detect Period
12	AGC Control 6	12	11-0: FD_S Threshold
13	AGC Control 7	12	11-0: FD_SpB Threshold
14	Start Hold-Off Counter	16	Start Hold-Off Counter
15	CIC4 Decimation	5	$M_{CIC4}-1$
16	CIC4 Scale	4	CIC4_scale
17	IIR Control Register	1	SYNC_MASK
18	RCF Decimation Register	3	$M_{RCF}-1$
19	RCF Decimation Phase	3	P_{RCF}
1A	RCF Coefficient Offset	6	CO_{RCF}
1B	RCF Taps	6	$N_{Taps}-1$
1C	RCF Scale Register	2	1-0: Scale
1D	BIST for A-I	24	BIST-I/DATA_I
1E	BIST for A-Q	24	BIST-Q/DATA_Q
1F	BIST for B-I	24	BIST-I/DATA_I

Preliminary Technical Data

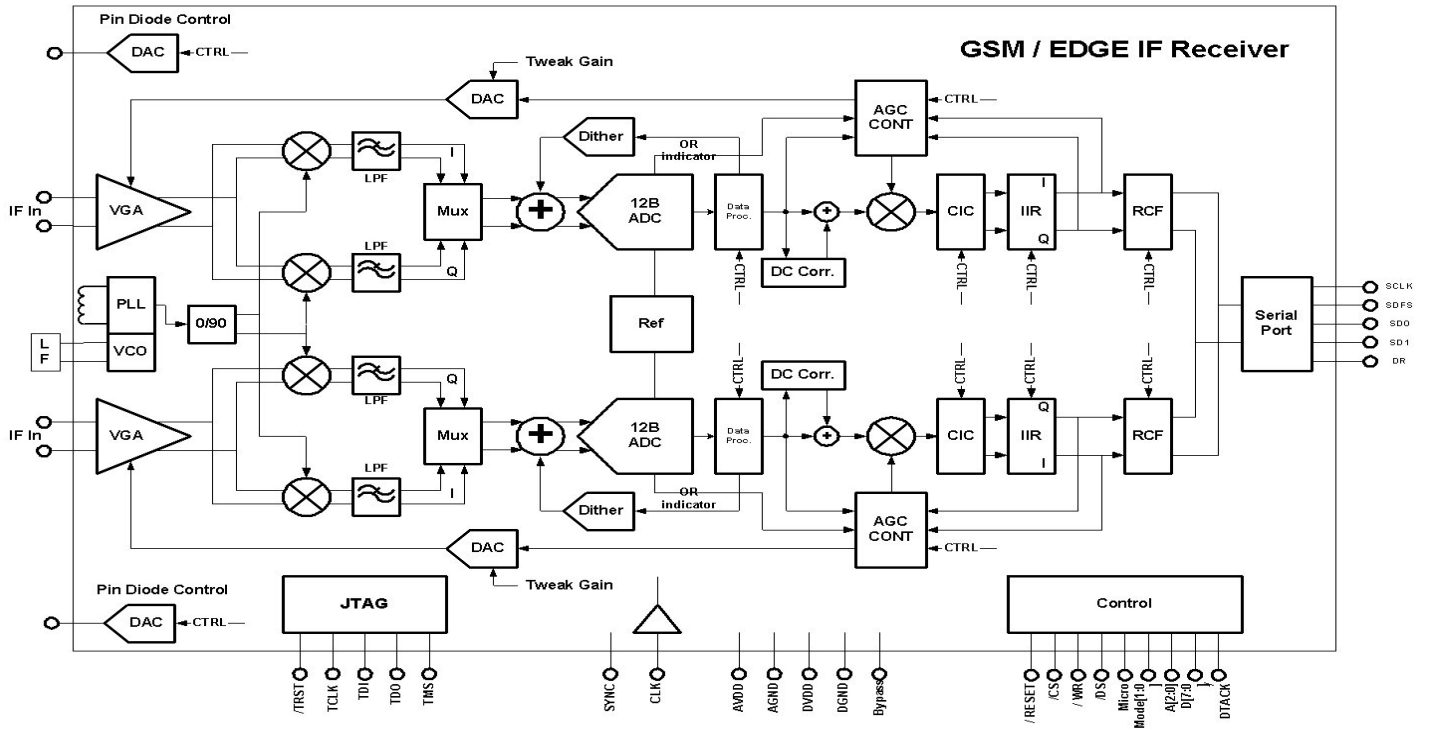
AD6650

20	BIST for B-Q	24	BIST-Q/DATA_Q
21	Serial Control Register	9	8: RCF Data to BIST 7: Use SDO1 for B data 6-5: I_SDFS Control 11: High for SDO0 valid 10: AI,AQ,BI,BQ pulses 01: AI,BI pulses 00: AI pulse 4: SOWL 1: 24-bit words 0: 16-bit words 3: SBM 2-0: SDIV[2:0]
23-3F	Reserved		
40-6F	Coefficient Memory		48x20 bit RAM
70-FF	Reserved		

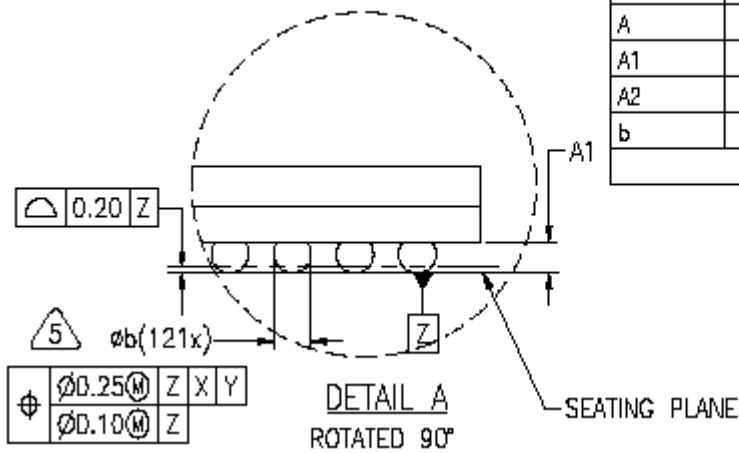
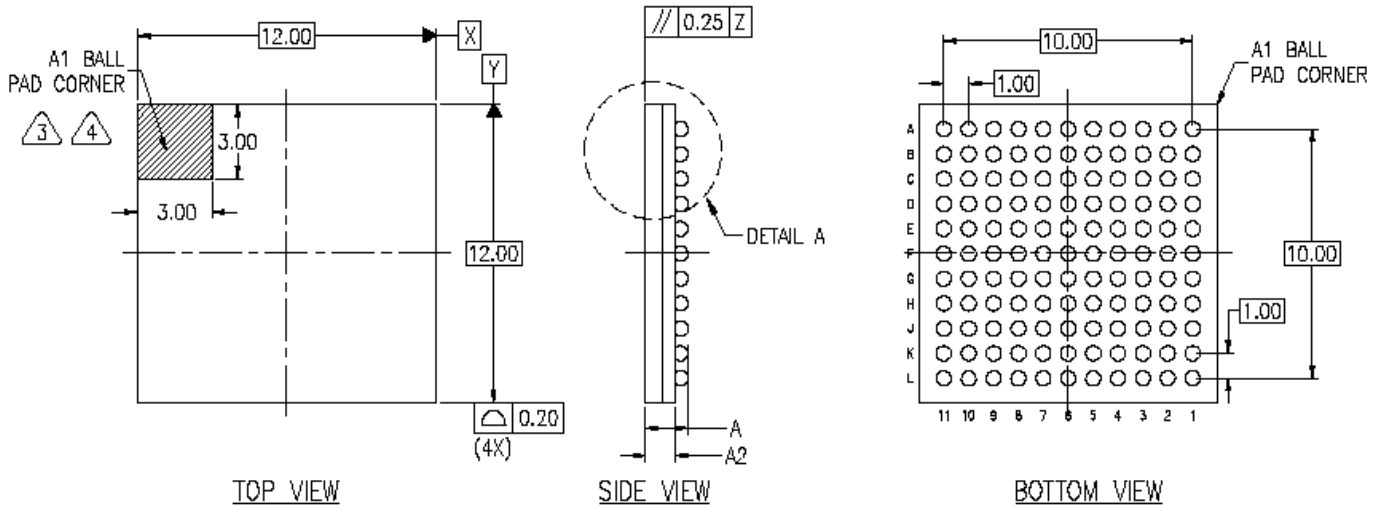
Preliminary Technical Data

Recommended Applications circuit

AD6650



Outline Dimensions
Dimensions shown in mm
121-Pin PBGA



DIMENSION	MINIMUM	NOMINAL	MAXIMUM
A	1.40	1.71	1.85
A1	0.30	0.50	-
A2	1.11	1.21	1.31
b	0.50	0.60	0.70
NUMBER OF BALLS 121			

NOTES:

1. ALL DIMENSIONS ARE IN MM.
2. TERMINAL POSITIONS DESIGNATION PER JEDEC 95-1, SPP-010.
3. CORNER DETAILS PER STATS OPTION.
4. PIN 1 IDENTIFIER CAN BE CHAMFER, INK MARK, METALLIZED MARK, BUT LOCATED WITHIN ZONE INDICATED.
5. REFLOW BALL DIAMETER.
6. COMPLIANT TO JEDEC REGISTERED OUTLINE MO-192, VARIATION ADD-1, WITH EXCEPTION TO DIM A & A2.