

PLEASE CHECK WWW.MOLEX.COM FOR LATEST PART INFORMATION

Part Number: [0473621001](#)
Status: **Active**
Overview: serial ata 127 host receptacles
Description: 1.27mm (.050") Pitch Combo SATA Cable Connector, Straight Type, with Arris on both surface, with bumps, 0.76µm (30µ") Gold(Au) Plating, 22 Circuits, LeadFree

Documents:

[3D Model](#) [Product Specification PS-47362-001 \(PDF\)](#)
[Drawing \(PDF\)](#) [RoHS Certificate of Compliance \(PDF\)](#)

General

Product Family	I/O Connectors
Series	47362
Application	Wire-to-Board
Comments	Straight Type
Component Type	Receptacle
Overview	serial ata 127 host receptacles
Product Name	Serial ATA
Type	N/A

Physical

Boot Color	N/A
Circuits (Loaded)	22
Circuits (maximum)	22
Circuits Detail	Signal 7, Power 15
Color - Resin	Black
Durability (mating cycles max)	50
Gender	Receptacle
Keying to Mating Part	Yes
Lock to Mating Part	Yes
Material - Metal	Copper Alloy
Material - Plating Mating	Gold
Material - Plating Termination	Tin
Number of Rows	1
Orientation	Straight
PCB Locator	No
PCB Retention	None
Packaging Type	Tray
Panel Mount	No
Pitch - Mating Interface (in)	0.050 In
Pitch - Mating Interface (mm)	1.27 mm
Pitch - Term. Interface (in)	0.050 In
Pitch - Term. Interface (mm)	1.27 mm
Plating min: Mating (µin)	30
Plating min: Mating (µm)	0.76
Plating min: Termination (µin)	50
Plating min: Termination (µm)	1.27
Polarized to Mating Part	Yes
Polarized to PCB	Yes
Ports	2
Surface Mount Compatible (SMC)	Yes
Temperature Range - Operating	-35°C to +85°C
Termination Interface: Style	Solder or Weld
Waterproof / Dustproof	No
Wire Size AWG	N/A

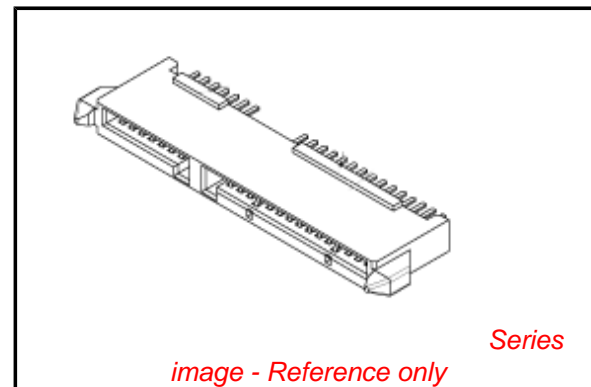


image - Reference only

EU RoHS

**ELV and RoHS
Compliant**

REACH SVHC

Contains SVHC: No

Halogen-Free

Status

Not Halogen-Free

China RoHS



**Need more information on product
environmental compliance?**

Email productcompliance@molex.com
 For a multiple part number RoHS Certificate of Compliance, [click here](#)

Please visit the [Contact Us](#) section for any non-product compliance questions.

Search Parts in this Series

[47362Series](#)

Electrical

Current - Maximum per Contact 1.5A
Voltage - Maximum 15V DC

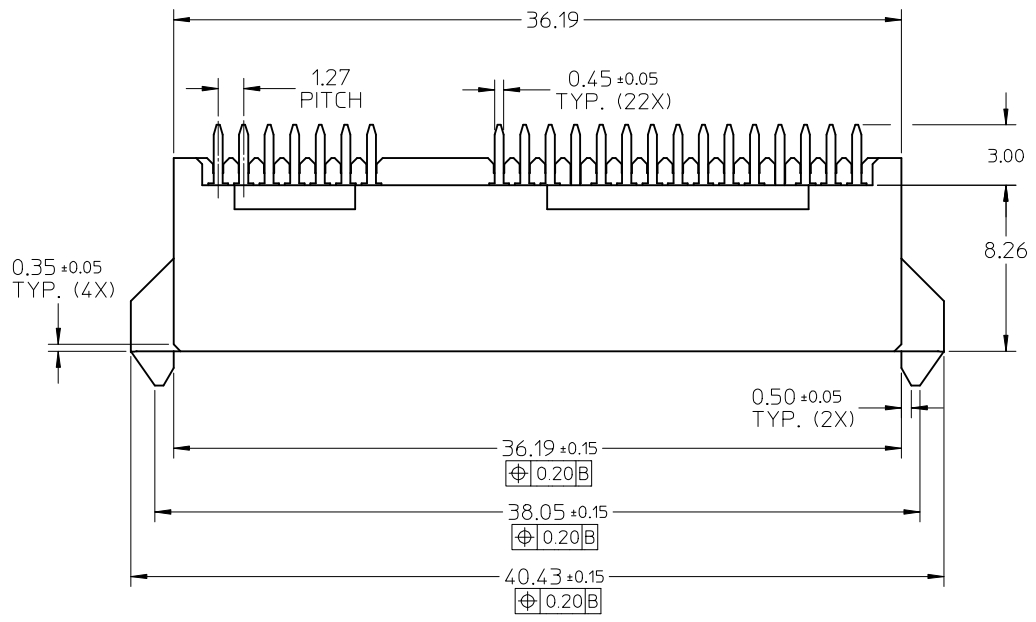
Material Info**Reference - Drawing Numbers**

Packaging Specification PK-47362-001
Product Specification PS-47362-001
Sales Drawing SD-47362-100

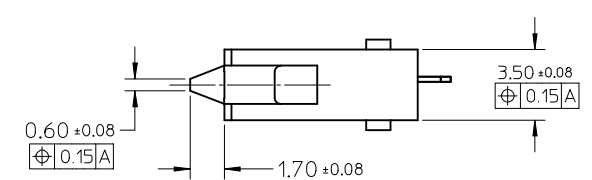
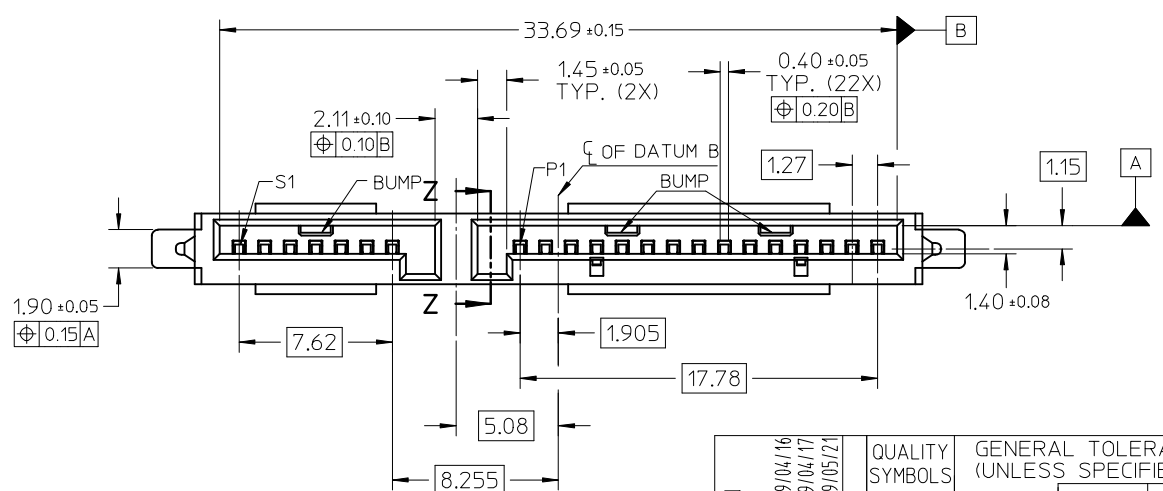
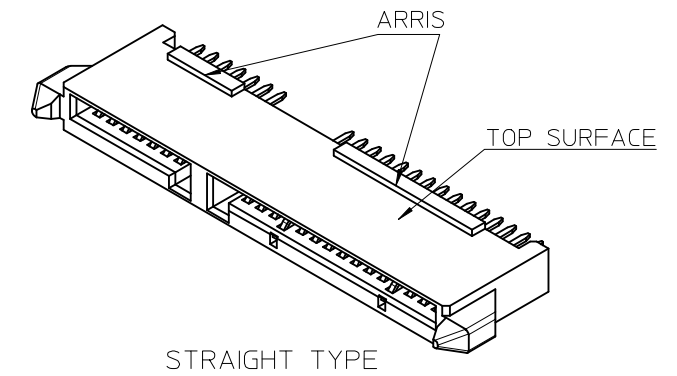
This document was generated on 05/19/2010

PLEASE CHECK WWW.MOLEX.COM FOR LATEST PART INFORMATION

10 9 8 7 6 5 4 3 2 1



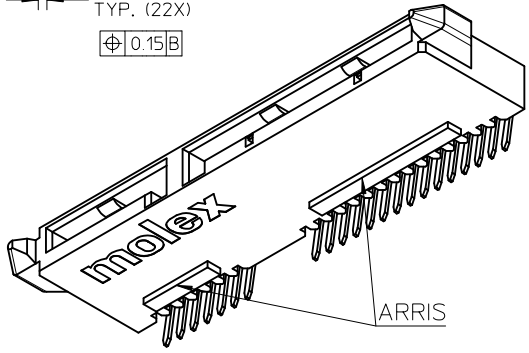
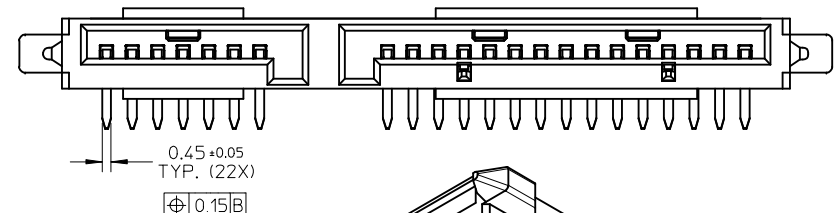
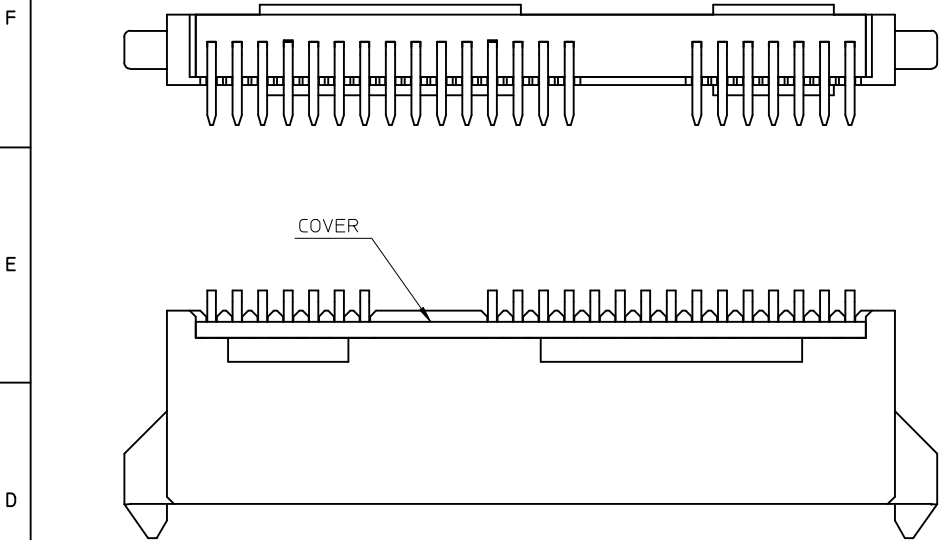
- NOTES:
- MATERIAL:
HOUSING: THERMAL PLASTIC, GLASS FILLED, UL94V-0, COLOR: BLACK.
TERMINAL: COPPER ALLOY, THICKNESS=0.25MM.
 - TERMINAL PLATING:
CONTACT AREA: GOLD PLATED, SEE TABLE.
SOLDER AREA: PURE TIN, THICKNESS=1.27 MICRONS MINIMUM.
UNDER PLATE: NICKLE, THICKNESS=1.27 MICRONS MINIMUM.
 - PRODUCT SPECIFICATION: REFER TO PS-47362-001.
 - PACKAGING METHOD: REFER TO PK-47362-001.
 - PRODUCT COMPLIANT TO RoHS DIRECTIVE 2002/95/EC AND ELV DIRECTIVE 2000/53/EC



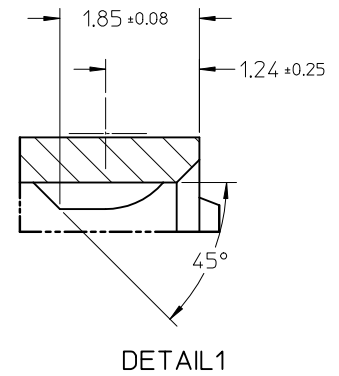
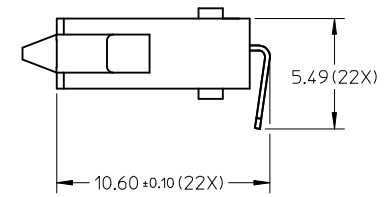
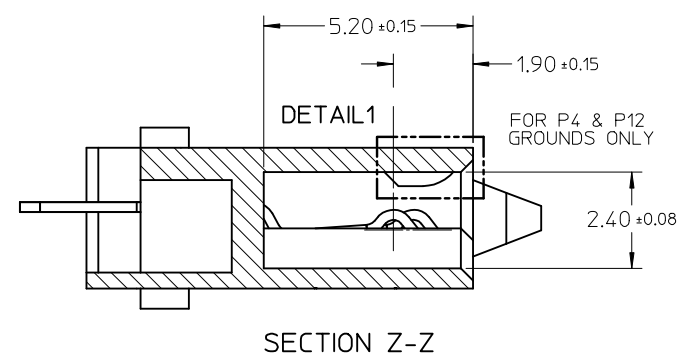
ADD NEW OPTION EC NO: SH2009-0500 DRWN: XJSONG 2009/04/16 CHKD: XJSONG 2009/04/17 APPR: HWANG 2009/05/21	QUALITY SYMBOLS ▽=0 ▽=0	GENERAL TOLERANCES (UNLESS SPECIFIED)		DIMENSION STYLE MM ONLY		SCALE 4:1		DESIGN UNITS METRIC		THIRD ANGLE PROJECTION	
		mm	INCH	DRAWN BY	DATE	TITLE					
		4 PLACES ± ---	± ---	BCHEN26	2005/12/05	COMBO SATA RECEPTACLE CABLE END					
		3 PLACES ± ---	± ---	CHECKED BY	DATE	MOLEX INCORPORATED					
2 PLACES ± 0.2	± ---	DIXON	2005/12/05	MATERIAL NO. DOCUMENT NO. SHEET NO.							
1 PLACE ± 0.25	± ---	APPROVED BY	DATE	SEE SHEET 4 SD-47362-100 1 OF 4							
ANGULAR ± 3 °		GRATE		2005/12/05		THIS DRAWING CONTAINS INFORMATION THAT IS PROPRIETARY TO MOLEX INCORPORATED AND SHOULD NOT BE USED WITHOUT WRITTEN PERMISSION					
DRAFT WHERE APPLICABLE MUST REMAIN WITHIN DIMENSIONS		SIZE		A3							

9 8 7 6 5 4 3 2 1

10 9 8 7 6 5 4 3 2 1



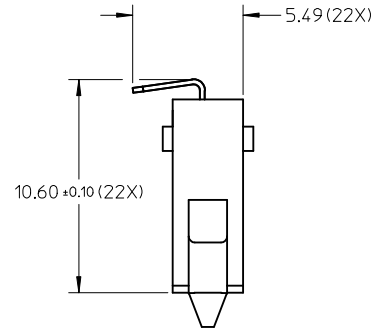
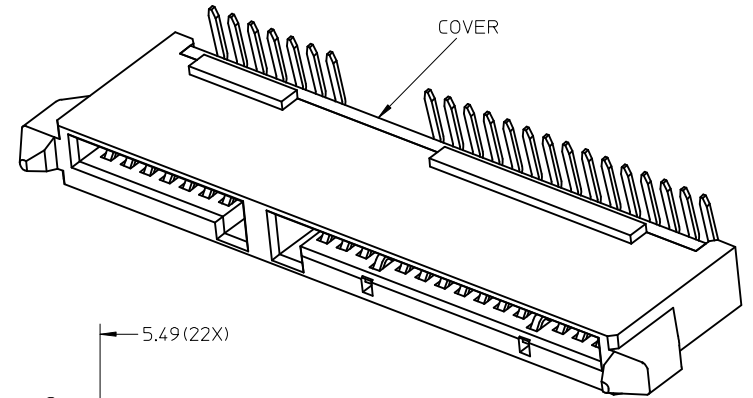
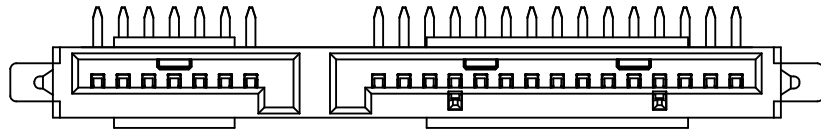
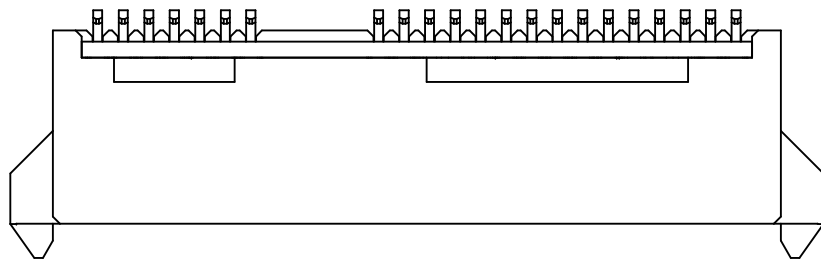
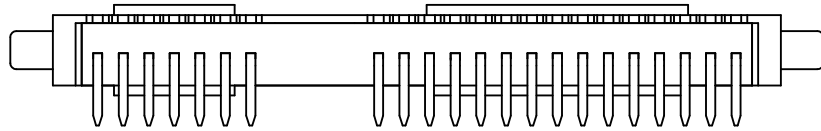
RIGHT ANGLE(90 DEGREE) TYPE
OTHER DIMENSIONS REFER TO STRAIGHT TYPE



SEE SHEET 1 IEC NO: SH2009-0500 DRWN: XJ.SONG 2009/04/16 CHKD: XJ.SONG 2009/04/17 APPR: H.WANG 2009/05/21	QUALITY SYMBOLS ▽=0 ◻=0	GENERAL TOLERANCES (UNLESS SPECIFIED)		DIMENSION STYLE MM ONLY		SCALE 4:1	DESIGN UNITS METRIC	THIRD ANGLE PROJECTION						
		4 PLACES ± --- ± ---	3 PLACES ± --- ± ---	2 PLACES ± 0.2 ± ---	1 PLACE ± 0.25 ± ---	ANGULAR ± 3 °	DRAFT WHERE APPLICABLE MUST REMAIN WITHIN DIMENSIONS	DRAWN BY B.CHEN26	DATE 2005/12/05	CHECKED BY DIXON	DATE 2005/12/05	APPROVED BY GRATE	DATE 2005/12/05	TITLE COMBO SATA RECEPTACLE CABLE END
		MATERIAL NO.		SEE SHEET 4		MOLEX INCORPORATED		DOCUMENT NO.	SHEET NO.					
		SIZE A3		THIS DRAWING CONTAINS INFORMATION THAT IS PROPRIETARY TO MOLEX INCORPORATED AND SHOULD NOT BE USED WITHOUT WRITTEN PERMISSION										

9 8 7 6 5 4 3 2 1

10 9 8 7 6 5 4 3 2 1



RIGHT ANGLE(270 DEGREE) TYPE
OTHER DIMENSIONS REFER TO RIGHT ANGLE(90 DEGREE) TYPE

SEE SHEET 1 EC NO: SH2009-0500 DRWN: XJ SONG 2009/04/16 CHKD: XJ SONG 2009/04/17 APPR: H WANG 2009/05/21	QUALITY SYMBOLS ▽ = 0 ◻ = 0	GENERAL TOLERANCES (UNLESS SPECIFIED)		DIMENSION STYLE MM ONLY		SCALE 4:1	DESIGN UNITS METRIC	THIRD ANGLE PROJECTION	
			mm	INCH	DRAWN BY BCHEN26	DATE 2005/12/05	TITLE COMBO SATA RECEPTACLE CABLE END		
		4 PLACES	± ---	± ---	CHECKED BY DIXON	DATE 2005/12/05			
		3 PLACES	± ---	± ---	APPROVED BY GRATE	DATE 2005/12/05	MOLEX INCORPORATED		
2 PLACES	± 0.2	± ---	MATERIAL NO.	DOCUMENT NO.					
1 PLACE	± 0.25	± ---	ANGULAR ± 3 °		SEE SHEET 4		SD-47362-100	SHEET NO. 3 OF 4	
DRAFT WHERE APPLICABLE MUST REMAIN WITHIN DIMENSIONS				SIZE A3		THIS DRAWING CONTAINS INFORMATION THAT IS PROPRIETARY TO MOLEX INCORPORATED AND SHOULD NOT BE USED WITHOUT WRITTEN PERMISSION			

9 8 7 6 5 4 3 2 1

10	9	8	7	6	5	4	3	2	1
P/N	PLATE TYPE	REMARK	STRAIGHT OR R/A	P/N	PLATE TYPE	REMARK	STRAIGHT OR R/A		
47362-1000	GOLD FLASH			47362-3000	GOLD FLASH				
47362-1001	GOLD PLATED 0.76 MICRONS MIN.	WITH ARRIS ON BOTH SURFACE	STRAIGHT TYPE	47362-3001	GOLD PLATED 0.76 MICRONS MIN.	WITH ARRIS ON BOTH SURFACE	RIGHT ANGLE TYPE (270 DEGREE)		
47362-1002	GOLD PLATED 0.38 MICRONS MIN.	WITH BUMPS		47362-3002	GOLD PLATED 0.38 MICRONS MIN.	WITH BUMPS,WITH COVER			
47362-1010	GOLD FLASH			47362-3010	GOLD FLASH				
47362-1011	GOLD PLATED 0.76 MICRONS MIN.	WITH ARRIS ON TOP SURFACE		47362-3011	GOLD PLATED 0.76 MICRONS MIN.	WITH ARRIS ON TOP SURFACE			
47362-1012	GOLD PLATED 0.38 MICRONS MIN.	WITH BUMPS		47362-3012	GOLD PLATED 0.38 MICRONS MIN.	WITH BUMPS,WITH COVER			
47362-1020	GOLD FLASH			47362-3020	GOLD FLASH				
47362-1021	GOLD PLATED 0.76 MICRONS MIN.	WITH ARRIS ON BOTTOM SURFACE		47362-3021	GOLD PLATED 0.76 MICRONS MIN.	WITH ARRIS ON BOTTOM SURFACE			
47362-1022	GOLD PLATED 0.38 MICRONS MIN.	WITH BUMPS		47362-3022	GOLD PLATED 0.38 MICRONS MIN.	WITH BUMPS,WITH COVER			
47362-1030	GOLD FLASH			47362-3030	GOLD FLASH				
47362-1031	GOLD PLATED 0.76 MICRONS MIN.	WITHOUT ARRIS		47362-3031	GOLD PLATED 0.76 MICRONS MIN.	WITHOUT ARRIS			
47362-1032	GOLD PLATED 0.38 MICRONS MIN.	WITH BUMPS	47362-3032	GOLD PLATED 0.38 MICRONS MIN.	WITH BUMPS,WITH COVER				
47362-2000	GOLD FLASH		RIGHT ANGLE TYPE (90 DEGREE)						
47362-2001	GOLD PLATED 0.76 MICRONS MIN.	WITH ARRIS ON BOTH SURFACE							
47362-2002	GOLD PLATED 0.38 MICRONS MIN.	WITH BUMPS,WITH COVER							
47362-2010	GOLD FLASH								
47362-2011	GOLD PLATED 0.76 MICRONS MIN.	WITH ARRIS ON TOP SURFACE							
47362-2012	GOLD PLATED 0.38 MICRONS MIN.	WITH BUMPS,WITH COVER							
47362-2020	GOLD FLASH								
47362-2021	GOLD PLATED 0.76 MICRONS MIN.	WITH ARRIS ON BOTTOM SURFACE							
47362-2022	GOLD PLATED 0.38 MICRONS MIN.	WITH BUMPS,WITH COVER							
47362-2030	GOLD FLASH								
47362-2031	GOLD PLATED 0.76 MICRONS MIN.	WITHOUT ARRIS							
47362-2032	GOLD PLATED 0.38 MICRONS MIN.	WITH BUMPS,WITH COVER							
47362-1003	GOLD PLATED 0.38 MICRONS MIN.	WITH ARRIS ON BOTH SURFACE	STRAIGHT TYPE						
47362-1082	GOLD PLATED 0.38 MICRONS MIN.	WITH ARRIS ON BOTH SURFACE	STRAIGHT TYPE						

--	--	--	--	--	--	--	--	--	--

SEE SHEET1 EC NO: SH2009-0500 DRWN: X JSONG CHKD: X JSONG APPR: HWANG	2009/04/16 2009/04/17 2009/05/21	DESCRIPTION REV	QUALITY SYMBOLS =0 =0	GENERAL TOLERANCES (UNLESS SPECIFIED) <table border="1"> <tr> <td></td> <td>mm</td> <td>INCH</td> </tr> <tr> <td>4 PLACES</td> <td>± .005</td> <td>± .0004</td> </tr> <tr> <td>3 PLACES</td> <td>± .008</td> <td>± .0006</td> </tr> <tr> <td>2 PLACES</td> <td>± 0.015</td> <td>± .0012</td> </tr> <tr> <td>1 PLACE</td> <td>± 0.025</td> <td>± .0010</td> </tr> </table>		mm	INCH	4 PLACES	± .005	± .0004	3 PLACES	± .008	± .0006	2 PLACES	± 0.015	± .0012	1 PLACE	± 0.025	± .0010	DIMENSION STYLE MM ONLY	SCALE 4:1	DESIGN UNITS METRIC	THIRD ANGLE PROJECTION
				mm	INCH																		
			4 PLACES	± .005	± .0004																		
			3 PLACES	± .008	± .0006																		
2 PLACES	± 0.015	± .0012																					
1 PLACE	± 0.025	± .0010																					
DRAWN BY BCHEN26	DATE 2005/12/05	TITLE COMBO SATA RECEPTACLE CABLE END																					
CHECKED BY DIXON	DATE 2005/12/05	MOLEX INCORPORATED																					
APPROVED BY GRATE	DATE 2005/12/05	MATERIAL NO. SEE TABLE	DOCUMENT NO. SD-47362-100	SHEET NO. 4 OF 4																			