



N-Channel Enhancement Mode Field Effect Transistor

PRODUCT SUMMARY		
V _{DSS}	I _D	R _{DS(ON)} (mΩ) Max
25V	14A	7 @ V _{GS} = 10V
		9 @ V _{GS} = 4.5V

FEATURES

- Super high dense cell design for low R_{DS(ON)}.
- Rugged and reliable.
- Surface Mount Package.



ABSOLUTE MAXIMUM RATINGS (T_A=25 °C unless otherwise noted)

Parameter	Symbol	Limit	Unit
Drain-Source Voltage Rating	V _{spike} ^d	30	V
Drain-Source Voltage	V _{DS}	25	V
Gate-Source Voltage	V _{GS}	±16	V
Drain Current-Continuous ^a @ T _c =25 °C -Pulsed ^b	I _D	14	A
	I _{DM}	56	A
Drain-Source Diode Forward Current ^a	I _S	14	A
Maximum Power Dissipation ^a	P _D	2.5	W
Operating Junction and Storage Temperature Range	T _J , T _{STG}	-55 to 150	°C

THERMAL CHARACTERISTICS

Thermal Resistance, Junction-to-Ambient ^a	R _{θJA}	50	°C/W
--	------------------	----	------

STM7822A

ELECTRICAL CHARACTERISTICS ($T_A=25^{\circ}\text{C}$ unless otherwise noted)

Parameter	Symbol	Condition	Min	Typ ^c	Max	Unit
OFF CHARACTERISTICS						
Drain-Source Breakdown Voltage	BV_{DSS}	$V_{GS}=0V, I_D=250\mu A$	25			V
Zero Gate Voltage Drain Current	I_{DSS}	$V_{DS}=20V, V_{GS}=0V$			1	μA
Gate-Body Leakage	I_{GSS}	$V_{GS} = \pm 16V, V_{DS}=0V$			± 100	nA
ON CHARACTERISTICS^b						
Gate Threshold Voltage	$V_{GS(th)}$	$V_{DS}=V_{GS}, I_D=250\mu A$	0.7	1.2	2.0	V
Drain-Source On-State Resistance	$R_{DS(on)}$	$V_{GS}=10V, I_D=14A$		6	7	m ohm
		$V_{GS}=4.5V, I_D=10A$		8	9	m ohm
On-State Drain Current	$I_{D(on)}$	$V_{DS}=10V, V_{GS}=10V$	10			A
Forward Transconductance	g_{FS}	$V_{DS}=10V, I_D=14A$		28		S
DYNAMIC CHARACTERISTICS^c						
Input Capacitance	C_{iss}	$V_{DS}=16V, V_{GS}=0V$ $f=1.0\text{MHz}$		3640		pF
Output Capacitance	C_{oss}			550		pF
Reverse Transfer Capacitance	C_{rss}			420		pF
SWITCHING CHARACTERISTICS^c						
Turn-On Delay Time	$t_{D(on)}$	$V_{DD}=16V,$ $I_D=14A,$ $V_{GS}=5V,$ $R_{GEN}=6\text{ ohm}$		12.3		ns
Rise Time	t_r			10.2		ns
Turn-Off Delay Time	$t_{D(off)}$			23.8		ns
Fall Time	t_f			12.1		ns
Total Gate Charge	Q_g	$V_{DS}=16V, I_D=14A, V_{GS}=10V$		73.9		nC
		$V_{DS}=16V, I_D=14A, V_{GS}=5V$		36.2		nC
Gate-Source Charge	Q_{gs}	$V_{DS}=16V, I_D=14A,$ $V_{GS}=5V$		11.5		nC
Gate-Drain Charge	Q_{gd}			9.9		nC

STM7822A

ELECTRICAL CHARACTERISTICS ($T_A=25^{\circ}\text{C}$ unless otherwise noted)

Parameter	Symbol	Condition	Min	Typ ^c	Max	Unit
DRAIN-SOURCE DIODE CHARACTERISTICS^b						
Diode Forward Voltage	V_{SD}	$V_{GS} = 0V, I_s = 14A$		0.84	1.2	V

- Notes
 a. Surface Mounted on FR4 Board, $t \leq 10\text{sec}$.
 b. Pulse Test: Pulse Width $\leq 300\mu\text{s}$, Duty Cycle $\leq 2\%$.
 c. Guaranteed by design, not subject to production testing.
 d. Guaranteed when external $R_g = 6\text{ ohm}$ and $t_f < t_{f\text{ max}}$

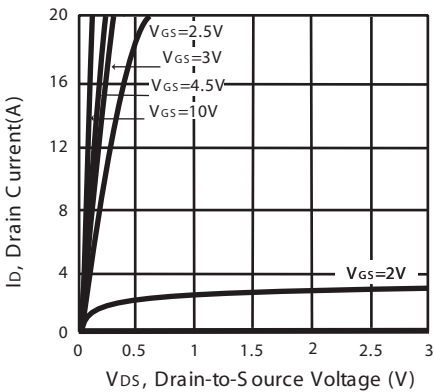


Figure 1. Output Characteristics

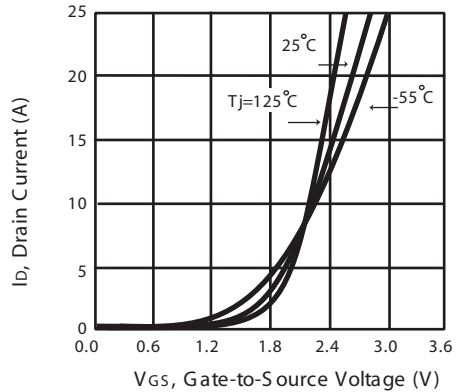


Figure 2. Transfer Characteristics

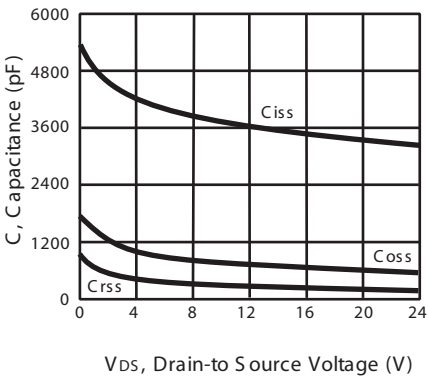


Figure 3. Capacitance

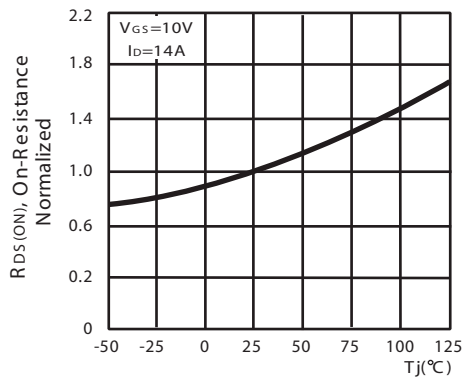
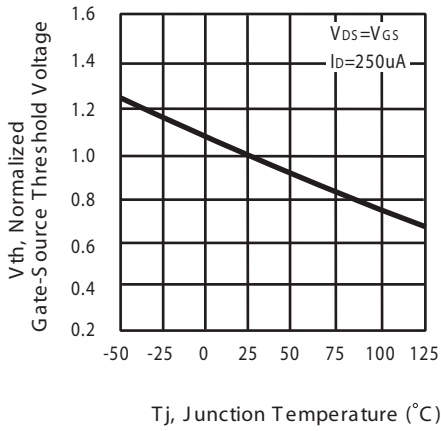


Figure 4. On-Resistance Variation with Temperature

STM7822A



with Temperature

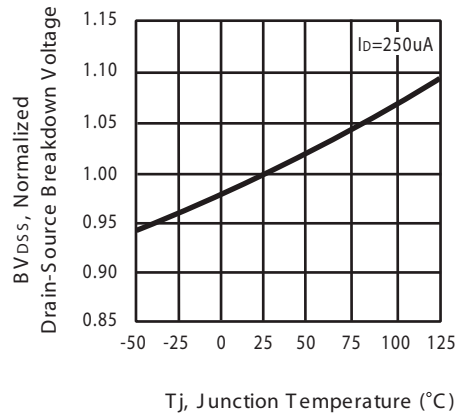


Figure 6. Breakdown Voltage Variation with Temperature

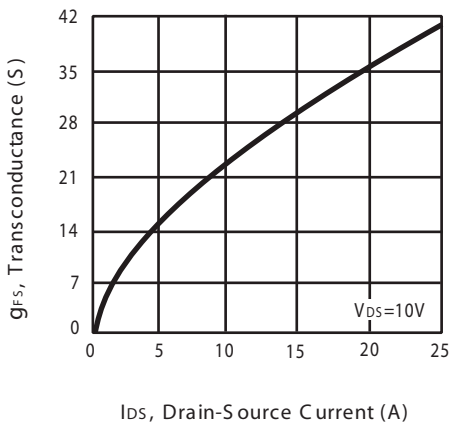


Figure 7. Transconductance Variation with Drain Current

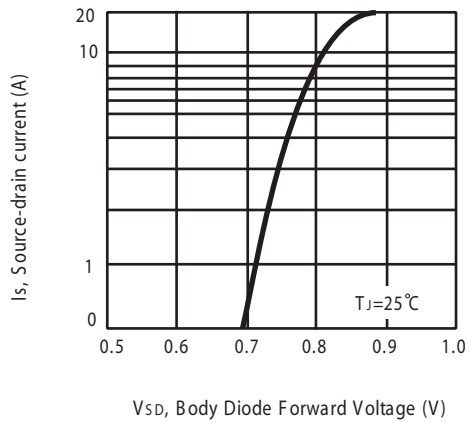


Figure 8. Body Diode Forward Voltage Variation with Source Current

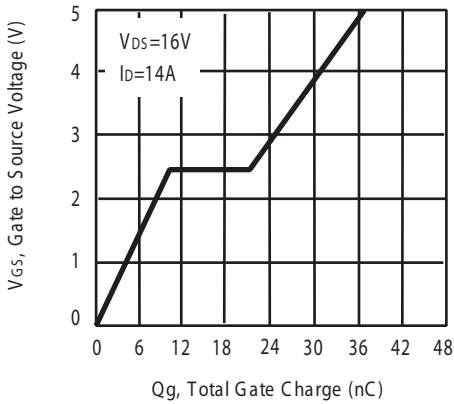


Figure 9. Gate Charge

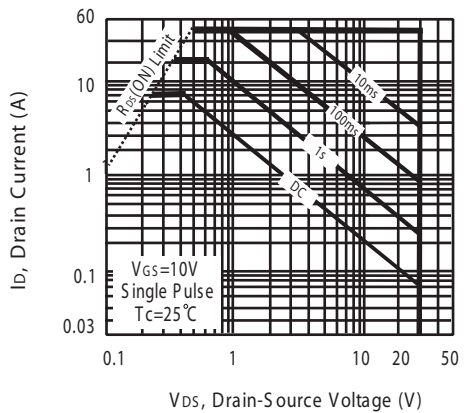


Figure 10. Maximum Safe Operating Area

STM7822A

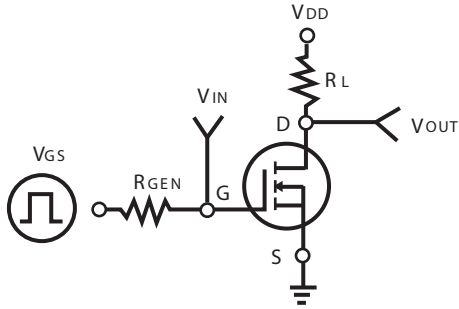


Figure 11. Switching Test Circuit

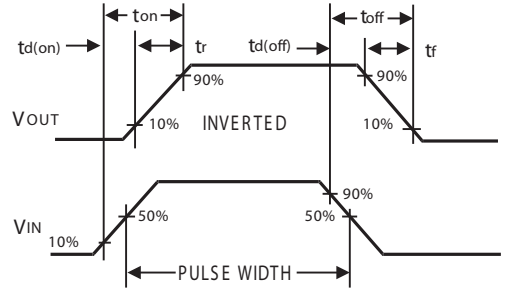


Figure 12. Switching Waveforms

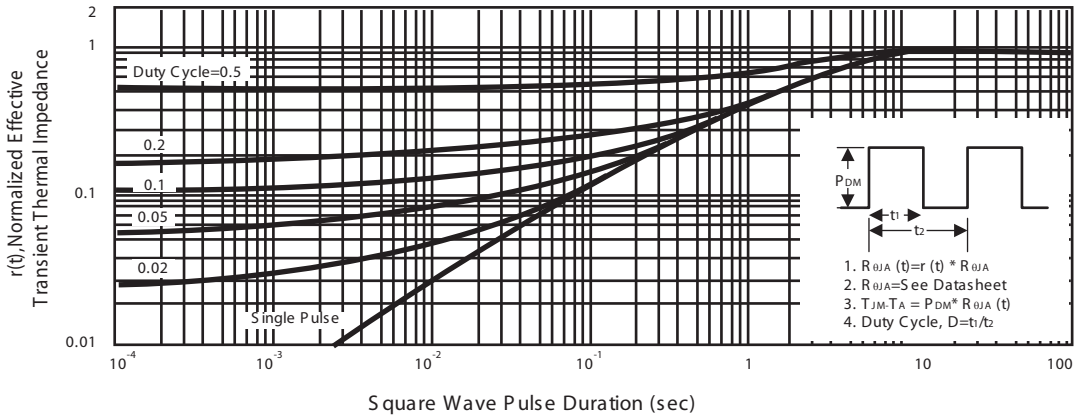
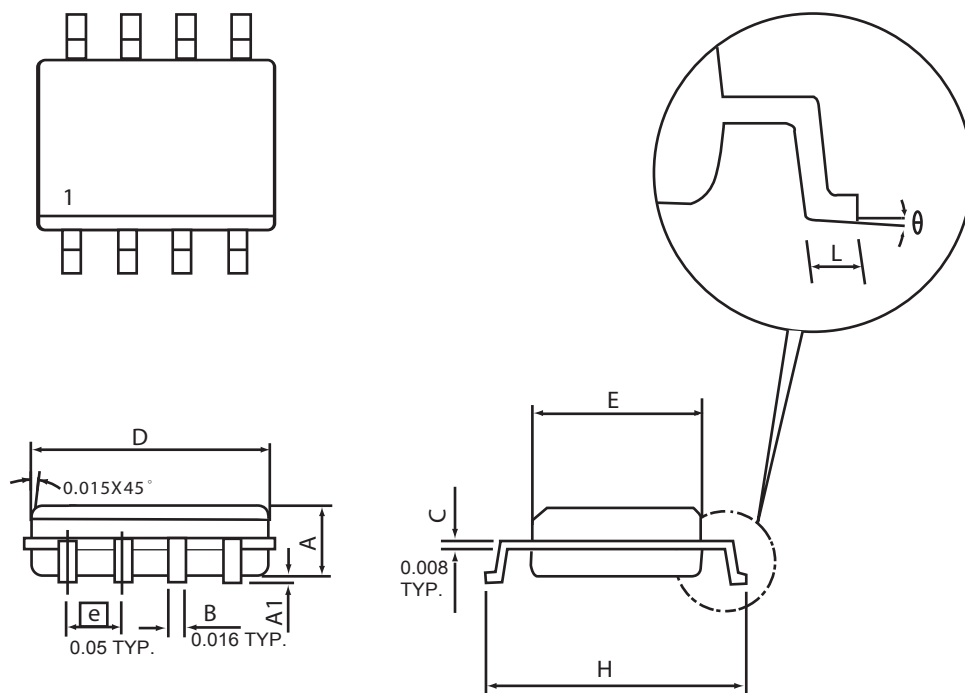


Figure 13. Normalized Thermal Transient Impedance Curve

STM7822A

PACKAGE OUTLINE DIMENSIONS

SO-8

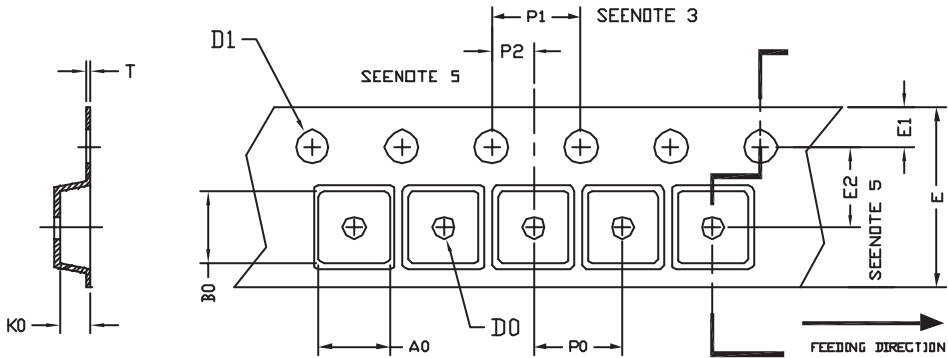


SYMBOLS	MILLIMETERS		INCHES	
	MIN	MAX	MIN	MAX
A	1.35	1.75	0.053	0.069
A1	0.10	0.25	0.004	0.010
D	4.80	4.98	0.189	0.196
E	3.81	3.99	0.150	0.157
H	5.79	6.20	0.228	0.244
L	0.41	1.27	0.016	0.050
θ	0°	8°	0°	8°

STM7822A

SO-8 Tape and Reel Data

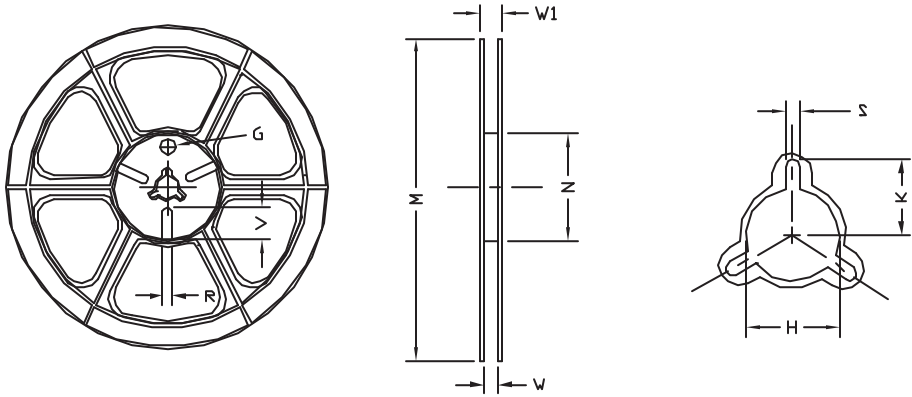
SO-8 Carrier Tape



unit:mm

PACKAGE	A0	B0	K0	D0	D1	E	E1	E2	P0	P1	P2	T
SOP 8N 150mil	6.40	5.20	2.10	ϕ 1.5 (MIN)	ϕ 1.5 + 0.1 - 0.0	12.0 \pm 0.3	1.75	5.5 \pm 0.05	8.0	4.0	2.0 \pm 0.05	0.3 \pm 0.05

SO-8 Reel



UNIT:mm

TAPE SIZE	REEL SIZE	M	N	W	W1	H	K	S	G	R	V
12 mm	ϕ 330	330 \pm 1	62 \pm 1.5	12.4 + 0.2	16.8 - 0.4	ϕ 12.75 + 0.15	---	2.0 \pm 0.15	---	---	---