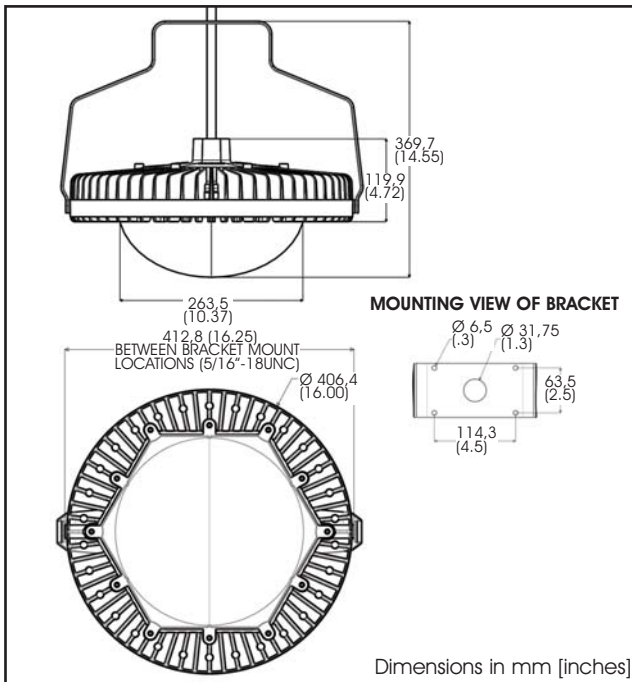




DuroSite™ LED Low Bay Fixture



Certifications & Ratings:

- ▷ CE - compliant
EN 55015:2006 / EN 61547:2009 / EN 60598:2008
- ▷ IP66 to EN60529
- ▷ IK10 to EN50102
- ▷ RoHS Compliant

Features & Benefits:

- ▷ 80% lumen maintenance over 60,000 operating hours
- ▷ May be used with remote occupancy sensors
- ▷ Up to 75 lm/w
- ▷ Significant energy savings
- ▷ Optional cover for food preparation applications
- ▷ Instant on/off
- ▷ Replaces up to 150W HID
- ▷ Mercury free/lead free
- ▷ Superior light quality
- ▷ Produces minimal heat compared to competitive fixture
- ▷ Simple installation
- ▷ Resistant to shock and vibration
- ▷ Hard coated lens which adds UV protection and scratch resistance
- ▷ Temperature compensation technology for long life

Accessories

Image	Part Number	Description	Kit Includes
	HBXW3	Swivel Bracket	Swivel Bracket Bracket to Fixture Hardware
	HBXH	Hook (Hook cannot be used in wet or damp location installs)	Hanger Hook

Application

Dialight's DuroSite™ LED Low Bay fixture was designed specifically to replace conventional lighting in a wide variety of industrial applications; both indoor and outdoor. Its low profile light weight design and versatile mounting options make it ideal for many applications such as indoor and outdoor car parks, garages, cold storage and general area lighting applications with mounting heights less than 4 metres.

All of Dialight's long life LED luminaires are designed to meet the most demanding specification criteria while offering maximum energy savings, reduced maintenance costs, and a superior quality of light.

Mechanical Information

Fixture Weight:	8.2 kg (18 lbs)
Mounting options:	Swivel bracket or hook
Fixing:	Factory installed 3 meter PVC cable Custom cable lengths available, consult factory

Electrical specifications

Operating Voltage:	230/240VAC, 50/60Hz
Total System Power Consumption (TYP):	80W
Operating Temp:	-40°C to +60°C (-40°F to +149°F)
Dimming Option:	Consult factory for more information
Harmonics:	EN61000-3-2
Surge Protection:	EN61000-4-5 1 kV line to line 2 kV line to ground

THD:	< 15%
Power Factor:	> 0.9
Construction:	
Housing:	Alum. cast
Finish:	Light grey powder coated (RAL7001)
Lens:	Hard coated diffused polycarbonate

Photometric Information

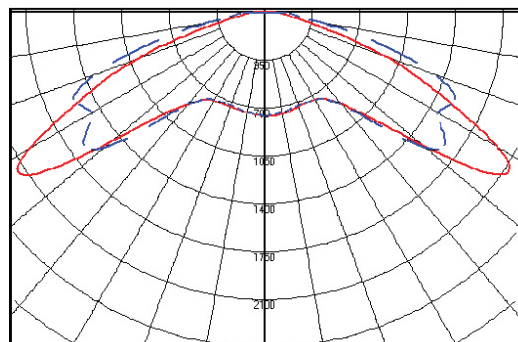
CRI (typ):	> 70
CCT (typ):	6,000K (cool white) 4,500K (neutral white)



Ordering Codes

Part Number	LED Colour	Lumens
LBW1C1D-EU	Cool White	6,000
LBW1N1D-EU	Neutral White	6,000

Polar Plot LBW1C1D-EU



Dialight reserves the right to make changes at any time in order to supply the best product possible.

The most current version of this document will always be available at:
www.dialight.com/Assets/Brochures_And_Catalogs/Illumination/MDEXLBXEU001.pdf

MDEXLBXEU001_A