

BIPOLAR ANALOG INTEGRATED CIRCUIT

μ PC29M00 Series

THREE TERMINAL LOW DROPOUT VOLTAGE REGULATOR

The μ PC29M00 series of low dropout voltage three terminal positive regulators is constructed with PNP output transistor. The μ PC29M00 series feature the ability to source 0.5 A of output current with a low dropout voltage of typically 0.5 V.

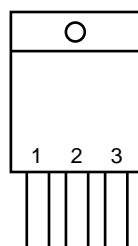
The power dissipation of the μ PC29M00 series can be drastically reduced compared with the conventional three terminal positive voltage regulators that is constructed with NPN output transistor. Also, this series corresponds to the low voltage output (3 V, 3.3 V) which is not in the conventional low dropout regulators (μ PC24M00A series).

FEATURES

- Output current in excess of 0.5 A
- Low dropout voltage $V_{DIF} = 0.5$ V TYP. (at $I_o = 0.5$ A)
- On-chip overcurrent and thermal protection circuit
- On-chip output transistor safe area protection circuit

PIN CONFIGURATION (Marking Side)

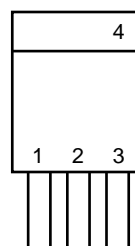
μ PC29M00HF Series: MP-45G



1: INPUT
2: GND
3: OUTPUT

μ PC29M00HB Series: MP-3

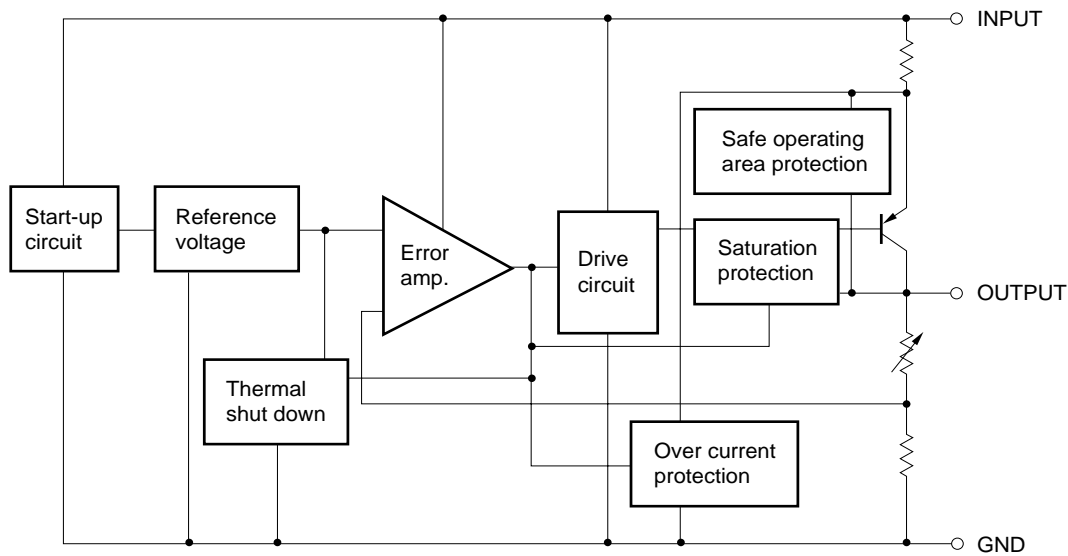
μ PC29M00T Series: MP-3Z



1: INPUT
2: GND
3: OUTPUT
4: GND (Fin)

The information in this document is subject to change without notice.

BLOCK DIAGRAM



ORDERING INFORMATION

Part Number	Package	Output Voltage
μPC29M03HF	MP-45G (Isolated TO-220)	3.0 V
μPC29M03HB	MP-3 (SC-64)	3.0 V
μPC29M03T	MP-3Z (SC-63)	3.0 V
μPC29M33HF	MP-45 (Isolated TO-220)	3.3 V
μPC29M33HB	MP-3 (SC-64)	3.3 V
μPC29M33T	MP-3Z (SC-63)	3.3 V
μPC29M05HF	MP-45G (Isolated TO-220)	5.0 V
μPC29M05HB	MP-3 (SC-64)	5.0 V
μPC29M05T	MP-3Z (SC-63)	5.0 V
★ μPC29M06HF	MP-45G (Isolated TO-220)	6.0 V
★ μPC29M06HB	MP-3 (SC-64)	6.0 V
★ μPC29M06T	MP-3Z (SC-63)	6.0 V
★ μPC29M07HF	MP-45G (Isolated TO-220)	7.0 V
★ μPC29M07HB	MP-3 (SC-64)	7.0 V
★ μPC29M07T	MP-3Z (SC-63)	7.0 V
μPC29M08HF	MP-45G (Isolated TO-220)	8.0 V
μPC29M08HB	MP-3 (SC-64)	8.0 V
μPC29M08T	MP-3Z (SC-63)	8.0 V
μPC29M09HF	MP-45G (Isolated TO-220)	9.0 V
μPC29M09HB	MP-3 (SC-64)	9.0 V
μPC29M09T	MP-3Z (SC-63)	9.0 V
μPC29M10HF	MP-45G (Isolated TO-220)	10.0 V
μPC29M10HB	MP-3 (SC-64)	10.0 V
μPC29M10T	MP3Z (SC-63)	10.0 V
μPC29M12HF	MP-45G (Isolated TO-220)	12.0 V
μPC29M12HB	MP-3 (SC-64)	12.0 V
μPC29M12T	MP-3Z (SC-63)	12.0 V

ABSOLUTE MAXIMUM RATINGS (T_A = 25 °C, Unless otherwise specified.)

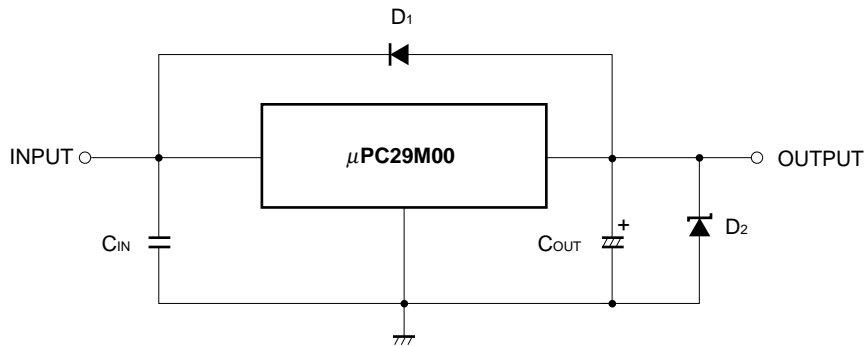
Parameter	Symbol	Rating		Unit
		μPC29M00HF	μPC29M00HB, μPC29M00T	
Input Voltage	V _{IN}	20		V
Internal Power Dissipation ^{Note}	P _T	15	10	W
Operating Ambient Temperature	T _A	-30 to +85		°C
Operating Junction Temperature	T _J	-30 to +150		°C
Storage Temperature	T _{stg}	-55 to +150		°C
Thermal Resistance (Junction to Case)	R _{th (J-C)}	7	12.5	°C/W
Thermal Resistance (Junction to Ambient)	R _{th (J-A)}	65	125	°C/W

Note T_C = 25 °C, Internally limited

When operating junction temperature rises up to 150 °C, the internal circuit shutdown output voltage.

Caution Exposure to Absolute Maximum Ratings for extended periods may affect device reliability; exceeding the ratings could cause permanent damage. The parameters apply independently. The device should be operated within the limits specified under DC and AC Characteristics.

TYPICAL CONNECTION



C_{IN} : More than 0.1 μF. Required if regulator is located an appreciable distance from power supply filter. You must use to prevent from the parasitic oscillation.

C_{OUT} : More than 47 μF. You must use the Low-impedance-type (low ESR) capacitor.

D₁ : Need for V_O > V_{IN}

D₂ : Need a shottky barrier diode for V_O < GND.

RECOMMENDED OPERATING CONDITIONS

Parameter	Symbol	Type Number	MIN.	TYP.	MAX.	Unit
★ ★ Input Voltage	V _{IN}	μPC29M03	4		16	V
		μPC29M33	4.3		16	
		μPC29M05	6		16	
		μPC29M06	7		16	
		μPC29M07	8		16	
		μPC29M08	9		18	
		μPC29M09	10		18	
		μPC29M10	11		18	
		μPC29M12	13		18	
Output Current	I _o	all	0		0.5	A
Operating Ambient Temperature	T _A	all	-30		+85	°C
Operating Junction Temperature	T _J	all	-30		+125	°C

ELECTRICAL CHARACTERISTICS μPC29M03 (T_J = 25 °C, V_{IN} = 5 V, I_o = 350 mA, C_{IN} = 0.22 μF, C_{OUT} = 47 μF, unless otherwise specified.)

Parameters	Symbol	Conditions	MIN.	TYP.	MAX.	Unit
Output Voltage	V _o		2.88	3.0	3.12	V
		0 °C ≤ T _J ≤ 125 °C, 4.0 V ≤ V _{IN} ≤ 16 V, 0 A ≤ I _o ≤ 350 mA	2.85		3.15	
		0 °C ≤ T _J ≤ 125 °C, 0 A ≤ I _o ≤ 0.5 A				
Line Regulation	REG _{IN}	4.0 V ≤ V _{IN} ≤ 16 V		7	30	mV
Load Regulation	REG _L	0 A ≤ I _o ≤ 0.5 A		8	30	mV
Quiescent Current	I _{BIAS}	I _o = 0 A		1.8	4.0	mA
		I _o = 0.5 A		17	30	
Startup Quiescent Current	I _{BIAS (s)}	V _{IN} = 2.95 V, I _o = 0 A		7	30	mA
		V _{IN} = 2.95 V, I _o = 0.5 A			80	
Quiescent Current Change	ΔI _{BIAS}	0 °C ≤ T _J ≤ 125 °C, 4.0 V ≤ V _{IN} ≤ 16 V		3.2	20	mA
Output Noise Voltage	V _n	10 Hz ≤ f ≤ 100 kHz		51		μV _{r.m.s.}
Ripple Rejection	R-R	f = 120 Hz, 4.0 V ≤ V _{IN} ≤ 16 V	48	64		dB
Dropout Voltage	V _{DIF}	0 °C ≤ T _J ≤ 125 °C, I _o = 0.5 A		0.5	1.0	V
Short Circuit Current	I _{o short}	V _{IN} = 4.5 V	0.65	1.0	1.5	A
		V _{IN} = 16 V		0.6		
Peak Output Current	I _{o peak}	V _{IN} = 4.5 V	0.7	1.0	1.5	A
		V _{IN} = 16 V	0.6	0.9	1.5	
Temperature Coefficient of Output Voltage	ΔV _o /ΔT	0 °C ≤ T _J ≤ 125 °C, I _o = 5 mA		-0.3		mV/°C

ELECTRICAL CHARACTERISTICS μ PC29M33 ($T_J = 25\text{ }^\circ\text{C}$, $V_{IN} = 5\text{ V}$, $I_o = 350\text{ mA}$, $C_{IN} = 0.22\text{ }\mu\text{F}$, $C_{OUT} = 47\text{ }\mu\text{F}$, unless otherwise specified.)

Parameters	Symbol	Conditions	MIN.	TYP.	MAX.	Unit
Output Voltage	V_o		3.17	3.3	3.43	V
		$0\text{ }^\circ\text{C} \leq T_J \leq 125\text{ }^\circ\text{C}$, $4.3\text{ V} \leq V_{IN} \leq 16\text{ V}$, $0\text{ A} \leq I_o \leq 350\text{ mA}$	3.14		3.46	
		$0\text{ }^\circ\text{C} \leq T_J \leq 125\text{ }^\circ\text{C}$, $0\text{ A} \leq I_o \leq 0.5\text{ A}$				
Line Regulation	REG_{IN}	$4.3\text{ V} \leq V_{IN} \leq 16\text{ V}$		8	33	mV
Load Regulation	REG_L	$0\text{ A} \leq I_o \leq 0.5\text{ A}$		10	33	mV
Quiescent Current	I_{BIAS}	$I_o = 0\text{ A}$		1.8	4.0	mA
		$I_o = 0.5\text{ A}$		15	30	
Startup Quiescent Current	$I_{BIAS(s)}$	$V_{IN} = 3.1\text{ V}$, $I_o = 0\text{ A}$		9	30	mA
		$V_{IN} = 3.1\text{ V}$, $I_o = 0.5\text{ A}$			80	
Quiescent Current Change	ΔI_{BIAS}	$0\text{ }^\circ\text{C} \leq T_J \leq 125\text{ }^\circ\text{C}$, $4.3\text{ V} \leq V_{IN} \leq 16\text{ V}$		2.9	20	mA
Output Noise Voltage	V_n	$10\text{ Hz} \leq f \leq 100\text{ kHz}$		56		$\mu\text{V}_{r.m.s.}$
Ripple Rejection	R·R	$f = 120\text{ Hz}$, $4.3\text{ V} \leq V_{IN} \leq 16\text{ V}$	48	64		dB
Dropout Voltage	V_{DIF}	$0\text{ }^\circ\text{C} \leq T_J \leq 125\text{ }^\circ\text{C}$, $I_o = 0.5\text{ A}$		0.5	1.0	V
Short Circuit Current	$I_{o\text{ short}}$	$V_{IN} = 4.5\text{ V}$	0.7	1.1	1.5	A
		$V_{IN} = 16\text{ V}$		0.6		
Peak Output Current	$I_{o\text{ peak}}$	$V_{IN} = 4.5\text{ V}$	0.7	1.2	1.5	A
		$V_{IN} = 16\text{ V}$	0.6	1.0	1.5	
Temperature Coefficient of Output Voltage	$\Delta V_o/\Delta T$	$0\text{ }^\circ\text{C} \leq T_J \leq 125\text{ }^\circ\text{C}$, $I_o = 5\text{ mA}$		-0.4		mV/°C

ELECTRICAL CHARACTERISTICS μPC29M05 ($T_J = 25\text{ }^\circ\text{C}$, $V_{IN} = 8\text{ V}$, $I_o = 350\text{ mA}$, $C_{IN} = 0.22\text{ }\mu\text{F}$, $C_{OUT} = 47\text{ }\mu\text{F}$, unless otherwise specified.)

Parameters	Symbol	Conditions	MIN.	TYP.	MAX.	Unit
Output Voltage	V_o		4.8	5.0	5.2	V
		$0\text{ }^\circ\text{C} \leq T_J \leq 125\text{ }^\circ\text{C}$, $6\text{ V} \leq V_{IN} \leq 16\text{ V}$, $0\text{ A} \leq I_o \leq 350\text{ mA}$	4.75		5.25	
		$0\text{ }^\circ\text{C} \leq T_J \leq 125\text{ }^\circ\text{C}$, $0\text{ A} \leq I_o \leq 0.5\text{ A}$				
Line Regulation	REG_{IN}	$6\text{ V} \leq V_{IN} \leq 16\text{ V}$		26	50	mV
Load Regulation	REG_L	$0\text{ A} \leq I_o \leq 0.5\text{ A}$		17	50	mV
Quiescent Current	I_{BIAS}	$I_o = 0\text{ A}$		1.9	4.0	mA
		$I_o = 0.5\text{ A}$		16	30	
Startup Quiescent Current	$I_{BIAS(s)}$	$V_{IN} = 4.5\text{ V}$, $I_o = 0\text{ A}$		10	30	mA
		$V_{IN} = 4.5\text{ V}$, $I_o = 0.5\text{ A}$			80	
Quiescent Current Change	ΔI_{BIAS}	$0\text{ }^\circ\text{C} \leq T_J \leq 125\text{ }^\circ\text{C}$, $6\text{ V} \leq V_{IN} \leq 16\text{ V}$		2.4	20	mA
Output Noise Voltage	V_n	$10\text{ Hz} \leq f \leq 100\text{ kHz}$		87		$\mu\text{V}_{r.m.s.}$
Ripple Rejection	R·R	$f = 120\text{ Hz}$, $6\text{ V} \leq V_{IN} \leq 16\text{ V}$	46	60		dB
Dropout Voltage	V_{DIF}	$0\text{ }^\circ\text{C} \leq T_J \leq 125\text{ }^\circ\text{C}$, $I_o = 0.5\text{ A}$		0.5	1.0	V
Short Circuit Current	$I_{o\text{ short}}$	$V_{IN} = 6.5\text{ V}$	0.65	1.1	1.5	A
		$V_{IN} = 16\text{ V}$		0.6		
Peak Output Current	$I_{o\text{ peak}}$	$V_{IN} = 6.5\text{ V}$	0.7	1.2	1.5	A
		$V_{IN} = 16\text{ V}$	0.6	1.1	1.5	
Temperature Coefficient of Output Voltage	$\Delta V_o/\Delta T$	$0\text{ }^\circ\text{C} \leq T_J \leq 125\text{ }^\circ\text{C}$, $I_o = 5\text{ mA}$		0.7		mV/°C

★ **ELECTRICAL CHARACTERISTICS** μ PC29M06 ($T_J = 25\text{ }^\circ\text{C}$, $V_{IN} = 9\text{ V}$, $I_o = 350\text{ mA}$, $C_{IN} = 0.22\text{ }\mu\text{F}$, $C_{OUT} = 47\text{ }\mu\text{F}$, unless otherwise specified.)

Parameters	Symbol	Conditions	MIN.	TYP.	MAX.	Unit
Output Voltage	V_o		5.76	6.0	6.24	V
		$0\text{ }^\circ\text{C} \leq T_J \leq 125\text{ }^\circ\text{C}$, $7\text{ V} \leq V_{IN} \leq 16\text{ V}$, $0\text{ A} \leq I_o \leq 350\text{ mA}$	5.70		6.30	
		$0\text{ }^\circ\text{C} \leq T_J \leq 125\text{ }^\circ\text{C}$, $0\text{ A} \leq I_o \leq 0.5\text{ A}$				
Line Regulation	REG_{IN}	$7\text{ V} \leq V_{IN} \leq 16\text{ V}$		30	60	mV
Load Regulation	REG_L	$0\text{ A} \leq I_o \leq 0.5\text{ A}$		30	60	mV
Quiescent Current	I_{BIAS}	$I_o = 0\text{ A}$		2.0	4.0	mA
		$I_o = 0.5\text{ A}$		16	30	
Startup Quiescent Current	$I_{BIAS(s)}$	$V_{IN} = 5.5\text{ V}$, $I_o = 0\text{ A}$		10	30	mA
		$V_{IN} = 5.5\text{ V}$, $I_o = 0.5\text{ A}$			80	
Quiescent Current Change	ΔI_{BIAS}	$0\text{ }^\circ\text{C} \leq T_J \leq 125\text{ }^\circ\text{C}$, $7\text{ V} \leq V_{IN} \leq 16\text{ V}$		2.5	20	mA
Output Noise Voltage	V_n	$10\text{ Hz} \leq f \leq 100\text{ kHz}$		126		$\mu\text{V}_{r.m.s.}$
Ripple Rejection	R·R	$f = 120\text{ Hz}$, $7\text{ V} \leq V_{IN} \leq 16\text{ V}$	42	58		dB
Dropout Voltage	V_{DIF}	$0\text{ }^\circ\text{C} \leq T_J \leq 125\text{ }^\circ\text{C}$, $I_o = 0.5\text{ A}$		0.5	1.0	V
Short Circuit Current	$I_{o\text{ short}}$	$V_{IN} = 7.5\text{ V}$	0.7	1.1	1.5	A
		$V_{IN} = 16\text{ V}$		0.6		
Peak Output Current	$I_{o\text{ peak}}$	$V_{IN} = 7.5\text{ V}$	0.7	1.1	1.5	A
		$V_{IN} = 16\text{ V}$	0.6	1.1	1.5	
Temperature Coefficient of Output Voltage	$\Delta V_o/\Delta T$	$0\text{ }^\circ\text{C} \leq T_J \leq 125\text{ }^\circ\text{C}$, $I_o = 5\text{ mA}$		0.44		mV/°C

★ ELECTRICAL CHARACTERISTICS μPC29M07 (T_J = 25 °C, V_{IN} = 10 V, I_O = 350 mA, C_{IN} = 0.22 μF, C_{OUT} = 47 μF, unless otherwise specified.)

Parameters	Symbol	Conditions	MIN.	TYP.	MAX.	Unit
Output Voltage	V _O		6.72	7.0	7.28	V
		0 °C ≤ T _J ≤ 125 °C, 8 V ≤ V _{IN} ≤ 16 V, 0 A ≤ I _O ≤ 350 mA	6.65		7.35	
		0 °C ≤ T _J ≤ 125 °C, 0 A ≤ I _O ≤ 0.5 A				
Line Regulation	REG _{IN}	8 V ≤ V _{IN} ≤ 16 V		35	70	mV
Load Regulation	REG _L	0 A ≤ I _O ≤ 0.5 A		35	70	mV
Quiescent Current	I _{BIAS}	I _O = 0 A		2.0	4.0	mA
		I _O = 0.5 A		16	30	
Startup Quiescent Current	I _{BIAS (s)}	V _{IN} = 6.5 V, I _O = 0 A		10	30	mA
		V _{IN} = 6.5 V, I _O = 0.5 A			80	
Quiescent Current Change	ΔI _{BIAS}	0 °C ≤ T _J ≤ 125 °C, 8 V ≤ V _{IN} ≤ 16 V		2.6	20	mA
Output Noise Voltage	V _n	10 Hz ≤ f ≤ 100 kHz		147		μV _{r.m.s.}
Ripple Rejection	R·R	f = 120 Hz, 8 V ≤ V _{IN} ≤ 16 V	40	56		dB
Dropout Voltage	V _{DIF}	0 °C ≤ T _J ≤ 125 °C, I _O = 0.5 A		0.5	1.0	V
Short Circuit Current	I _{O short}	V _{IN} = 8.5 V	0.7	1.1	1.5	A
		V _{IN} = 16 V		0.6		
Peak Output Current	I _{O peak}	V _{IN} = 8.5 V	0.7	1.2	1.5	A
		V _{IN} = 16 V	0.6	1.1	1.5	
Temperature Coefficient of Output Voltage	ΔV _O /ΔT	0 °C ≤ T _J ≤ 125 °C, I _O = 5 mA		0.7		mV/°C

ELECTRICAL CHARACTERISTICS μPC29M08 (T_J = 25 °C, V_{IN} = 11 V, I_O = 350 mA, C_{IN} = 0.22 μF, C_{OUT} = 47 μF, unless otherwise specified.)

Parameters	Symbol	Conditions	MIN.	TYP.	MAX.	Unit
Output Voltage	V _O		7.68	8.0	8.32	V
		0 °C ≤ T _J ≤ 125 °C, 9 V ≤ V _{IN} ≤ 18 V, 0 A ≤ I _O ≤ 350 mA	7.6		8.4	
		0 °C ≤ T _J ≤ 125 °C, 0 A ≤ I _O ≤ 0.5 A				
Line Regulation	REG _{IN}	9 V ≤ V _{IN} ≤ 18 V		40	80	mV
Load Regulation	REG _L	0 A ≤ I _O ≤ 0.5 A		40	80	mV
Quiescent Current	I _{BIAS}	I _O = 0 A		2.0	4.0	mA
		I _O = 0.5 A		15	30	
Startup Quiescent Current	I _{BIAS (s)}	V _{IN} = 7.5 V, I _O = 0 A		10	30	mA
		V _{IN} = 7.5 V, I _O = 0.5 A			80	
Quiescent Current Change	ΔI _{BIAS}	0 °C ≤ T _J ≤ 125 °C, 9 V ≤ V _{IN} ≤ 18 V		3.0	20	mA
Output Noise Voltage	V _n	10 Hz ≤ f ≤ 100 kHz		150		μV _{r.m.s.}
Ripple Rejection	R·R	f = 120 Hz, 9 V ≤ V _{IN} ≤ 18 V	42	58		dB
Dropout Voltage	V _{DIF}	0 °C ≤ T _J ≤ 125 °C, I _O = 0.5 A		0.5	1.0	V
Short Circuit Current	I _{O short}	V _{IN} = 9.5 V		1.0		A
		V _{IN} = 18 V		0.55		
Peak Output Current	I _{O peak}	V _{IN} = 9.5 V	0.7	1.2	1.5	A
		V _{IN} = 18 V	0.6	1.1	1.5	
Temperature Coefficient of Output Voltage	ΔV _O /ΔT	0 °C ≤ T _J ≤ 125 °C, I _O = 5 mA		0.7		mV/°C

ELECTRICAL CHARACTERISTICS μPC29M09 (T_J = 25 °C, V_{IN} = 12 V, I_O = 350 mA, C_{IN} = 0.22 μF, C_{OUT} = 47 μF, unless otherwise specified.)

Parameters	Symbol	Conditions	MIN.	TYP.	MAX.	Unit
Output Voltage	V _O		8.64	9.0	9.36	V
		0 °C ≤ T _J ≤ 125 °C, 10 V ≤ V _{IN} ≤ 18 V, 0 A ≤ I _O ≤ 350 mA	8.55		9.45	
		0 °C ≤ T _J ≤ 125 °C, 0 A ≤ I _O ≤ 0.5 A				
Line Regulation	REG _{IN}	10 V ≤ V _{IN} ≤ 18 V		45	90	mV
Load Regulation	REG _L	0 A ≤ I _O ≤ 0.5 A		45	90	mV
Quiescent Current	I _{BIAS}	I _O = 0 A		2.0	4.0	mA
		I _O = 0.5 A		15	30	
Startup Quiescent Current	I _{BIAS (s)}	V _{IN} = 8.5 V, I _O = 0 A		10	30	mA
		V _{IN} = 8.5 V, I _O = 0.5 A			80	
Quiescent Current Change	ΔI _{BIAS}	0 °C ≤ T _J ≤ 125 °C, 10 V ≤ V _{IN} ≤ 18 V			20	mA
Output Noise Voltage	V _n	10 Hz ≤ f ≤ 100 kHz		170		μV _{r.m.s.}
Ripple Rejection	R·R	f = 120 Hz, 10 V ≤ V _{IN} ≤ 18 V	41	57		dB
Dropout Voltage	V _{DIF}	0 °C ≤ T _J ≤ 125 °C, I _O = 0.5 A		0.5	1.0	V
Short Circuit Current	I _{O short}	V _{IN} = 10.5 V		1.0		A
		V _{IN} = 18 V		0.55		
Peak Output Current	I _{O peak}	V _{IN} = 10.5 V	0.7	1.2	1.5	A
		V _{IN} = 18 V	0.6	1.1	1.5	
Temperature Coefficient of Output Voltage	ΔV _O /ΔT	0 °C ≤ T _J ≤ 125 °C, I _O = 5 mA		0.8		mV/°C

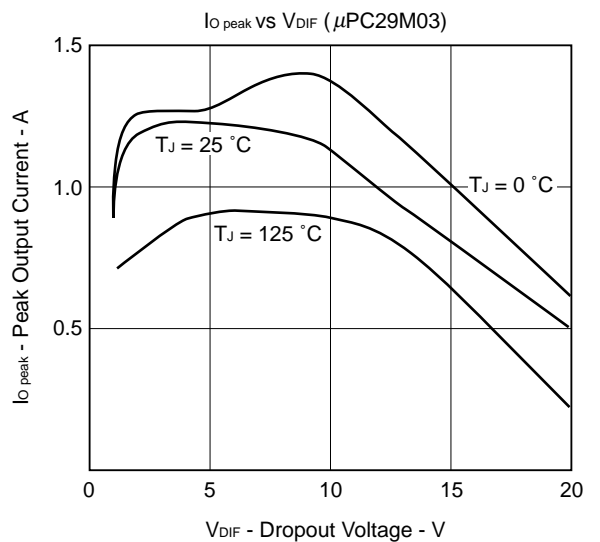
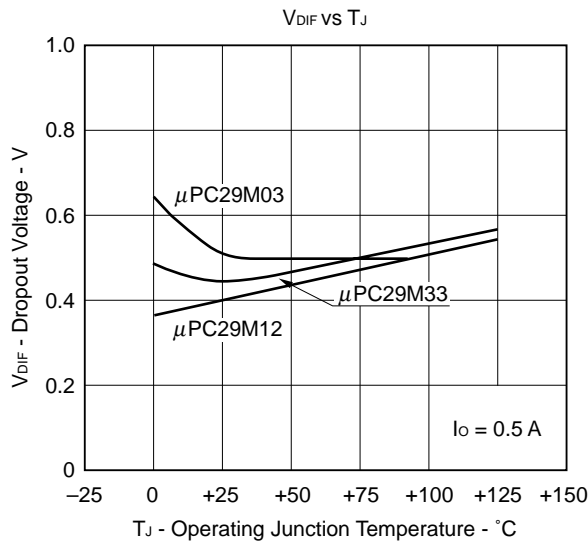
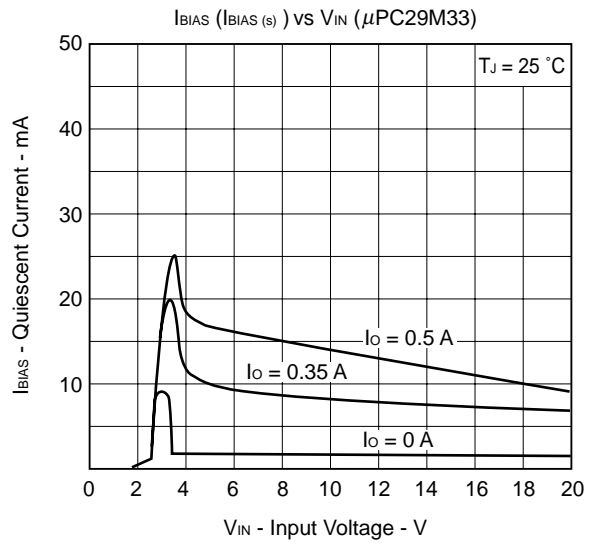
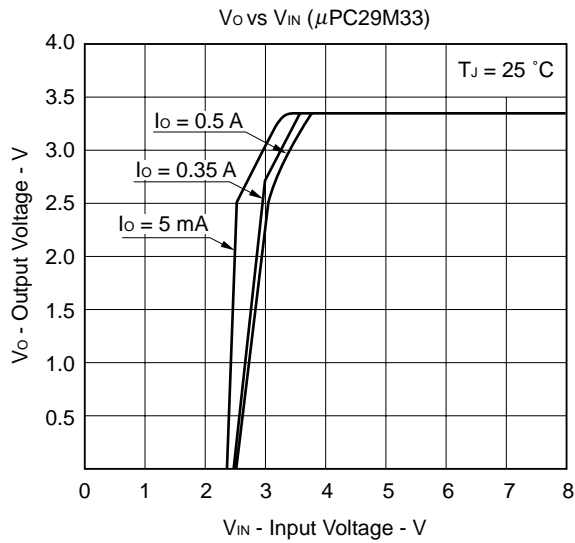
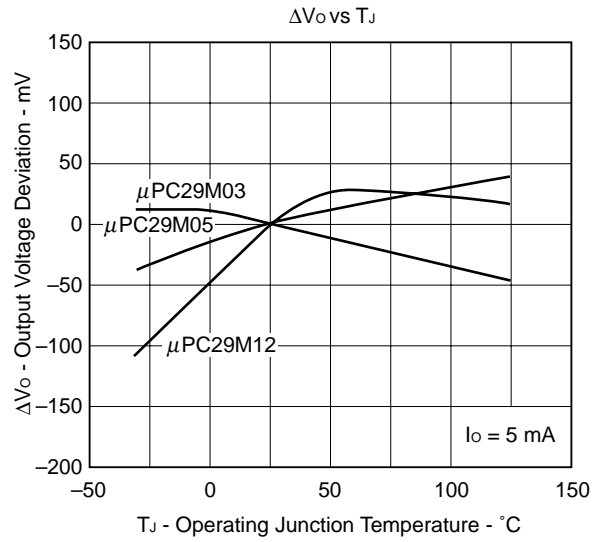
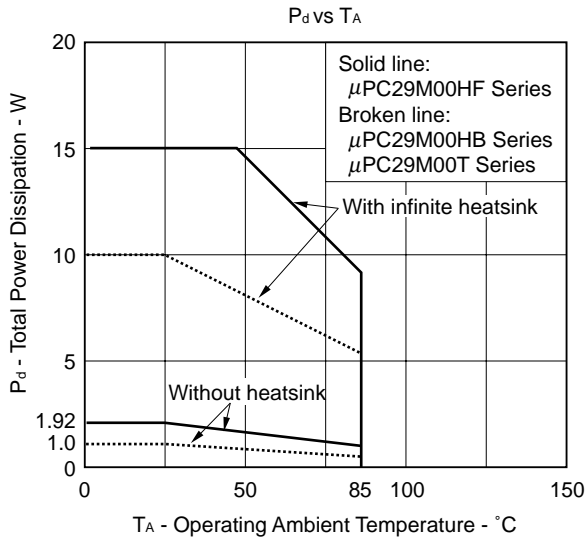
ELECTRICAL CHARACTERISTICS μPC29M10 (T_J = 25 °C, V_{IN} = 13 V, I_O = 350 mA, C_{IN} = 0.22 μF, C_{OUT} = 47 μF, unless otherwise specified.)

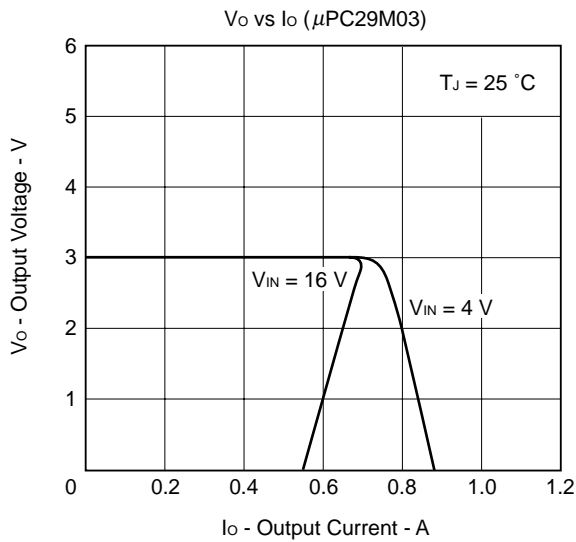
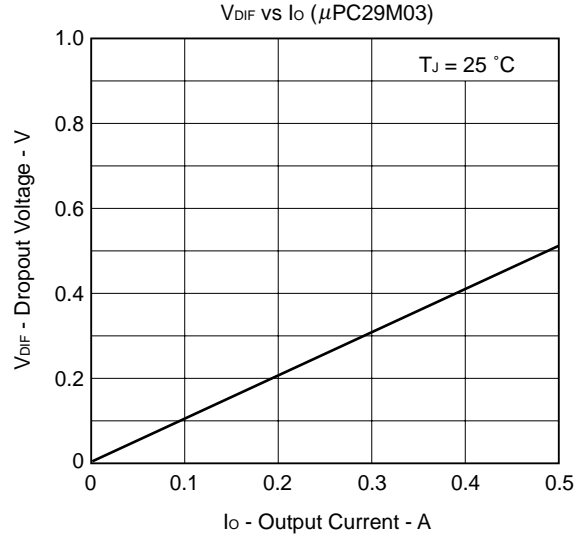
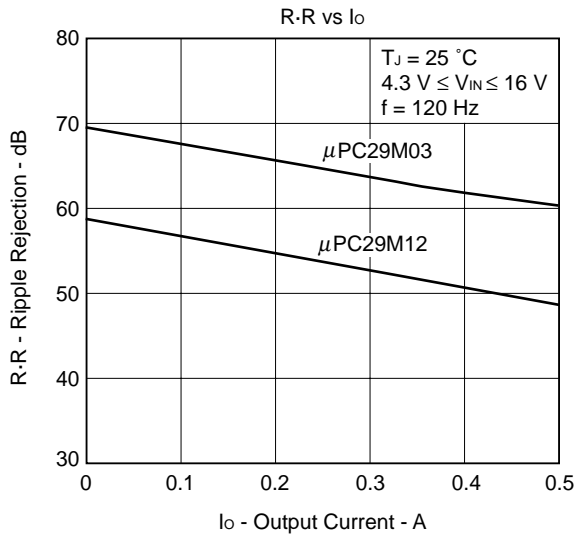
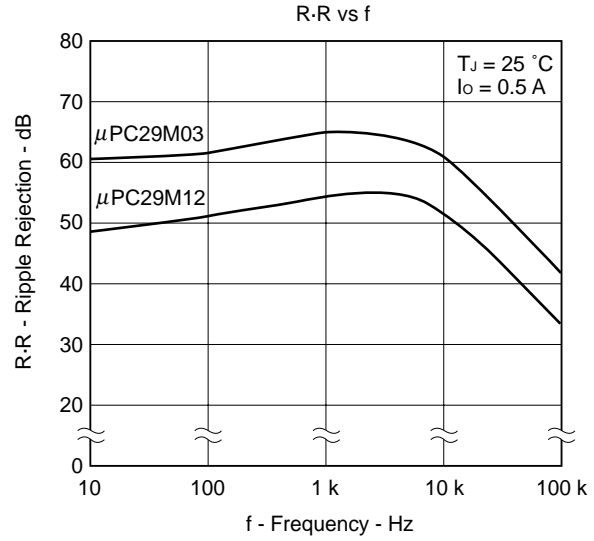
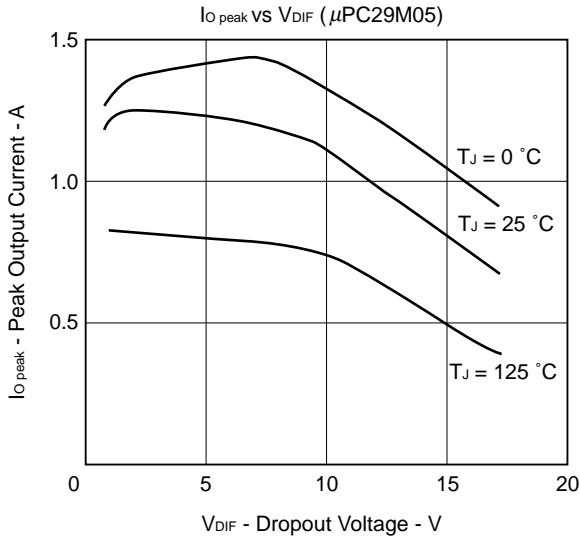
Parameters	Symbol	Conditions	MIN.	TYP.	MAX.	Unit
Output Voltage	V _O		9.6	10.0	10.4	V
		0 °C ≤ T _J ≤ 125 °C, 11 V ≤ V _{IN} ≤ 18 V, 0 A ≤ I _O ≤ 350 mA	9.5		10.5	
		0 °C ≤ T _J ≤ 125 °C, 0 A ≤ I _O ≤ 0.5 A				
Line Regulation	REG _{IN}	11 V ≤ V _{IN} ≤ 18 V		34	100	mV
Load Regulation	REG _L	0 A ≤ I _O ≤ 0.5 A		10	100	mV
Quiescent Current	I _{BIAS}	I _O = 0 A		2.1	4.0	mA
		I _O = 0.5 A		16	30	
Startup Quiescent Current	I _{BIAS (s)}	V _{IN} = 9.5 V, I _O = 0 A		10	30	mA
		V _{IN} = 9.5 V, I _O = 0.5 A			80	
Quiescent Current Change	ΔI _{BIAS}	0 °C ≤ T _J ≤ 125 °C, 11 V ≤ V _{IN} ≤ 18 V		1.9	20	mA
Output Noise Voltage	V _n	10 Hz ≤ f ≤ 100 kHz		180		μV _{r.m.s.}
Ripple Rejection	R·R	f = 120 Hz, 11 V ≤ V _{IN} ≤ 18 V	40	53		dB
Dropout Voltage	V _{DIF}	0 °C ≤ T _J ≤ 125 °C, I _O = 0.5 A		0.5	1.0	V
Short Circuit Current	I _{O short}	V _{IN} = 11.5 V		0.9		A
		V _{IN} = 18 V		0.5		
Peak Output Current	I _{O peak}	V _{IN} = 11.5 V	0.7	1.2	1.5	A
		V _{IN} = 18 V	0.6	1.2	1.5	
Temperature Coefficient of Output Voltage	ΔV _O /ΔT	0 °C ≤ T _J ≤ 125 °C, I _O = 5 mA		0.9		mV/°C

ELECTRICAL CHARACTERISTICS μ PC29M12 ($T_J = 25\text{ }^\circ\text{C}$, $V_{IN} = 15\text{ V}$, $I_O = 350\text{ mA}$, $C_{IN} = 0.22\text{ }\mu\text{F}$, $C_{OUT} = 47\text{ }\mu\text{F}$, unless otherwise specified.)

Parameters	Symbol	Conditions	MIN.	TYP.	MAX.	Unit
Output Voltage	V_O		11.52	12	12.48	V
		$0\text{ }^\circ\text{C} \leq T_J \leq 125\text{ }^\circ\text{C}$, $13\text{ V} \leq V_{IN} \leq 18\text{ V}$, $0\text{ A} \leq I_O \leq 350\text{ mA}$	11.4		12.6	
		$0\text{ }^\circ\text{C} \leq T_J \leq 125\text{ }^\circ\text{C}$, $0\text{ A} \leq I_O \leq 0.5\text{ A}$				
Line Regulation	REG_{IN}	$13\text{ V} \leq V_{IN} \leq 18\text{ V}$		25	120	mV
Load Regulation	REG_L	$0\text{ A} \leq I_O \leq 0.5\text{ A}$		13	120	mV
Quiescent Current	I_{BIAS}	$I_O = 0\text{ A}$		2.1	4.0	mA
		$I_O = 0.5\text{ A}$		14	30	
Startup Quiescent Current	$I_{BIAS(s)}$	$V_{IN} = 11.5\text{ V}$, $I_O = 0\text{ A}$		10	30	mA
		$V_{IN} = 11.5\text{ V}$, $I_O = 0.5\text{ A}$			80	
Quiescent Current Change	ΔI_{BIAS}	$0\text{ }^\circ\text{C} \leq T_J \leq 125\text{ }^\circ\text{C}$, $13\text{ V} \leq V_{IN} \leq 18\text{ V}$		1.7	20	mA
Output Noise Voltage	V_n	$10\text{ Hz} \leq f \leq 100\text{ kHz}$		210		$\mu\text{V}_{r.m.s.}$
Ripple Rejection	R·R	$f = 120\text{ Hz}$, $13\text{ V} \leq V_{IN} \leq 18\text{ V}$	40	53		dB
Dropout Voltage	V_{DIF}	$0\text{ }^\circ\text{C} \leq T_J \leq 125\text{ }^\circ\text{C}$, $I_O = 0.5\text{ A}$		0.5	1.0	V
Short Circuit Current	$I_{O\text{ short}}$	$V_{IN} = 14\text{ V}$		0.7		A
		$V_{IN} = 18\text{ V}$		0.5		
Peak Output Current	$I_{O\text{ peak}}$	$V_{IN} = 14\text{ V}$	0.7	1.2	1.5	A
		$V_{IN} = 18\text{ V}$	0.6	1.1	1.5	
Temperature Coefficient of Output Voltage	$\Delta V_O/\Delta T$	$0\text{ }^\circ\text{C} \leq T_J \leq 125\text{ }^\circ\text{C}$, $I_O = 5\text{ mA}$		1.2		mV/°C

TYPICAL CHARACTERISTICS

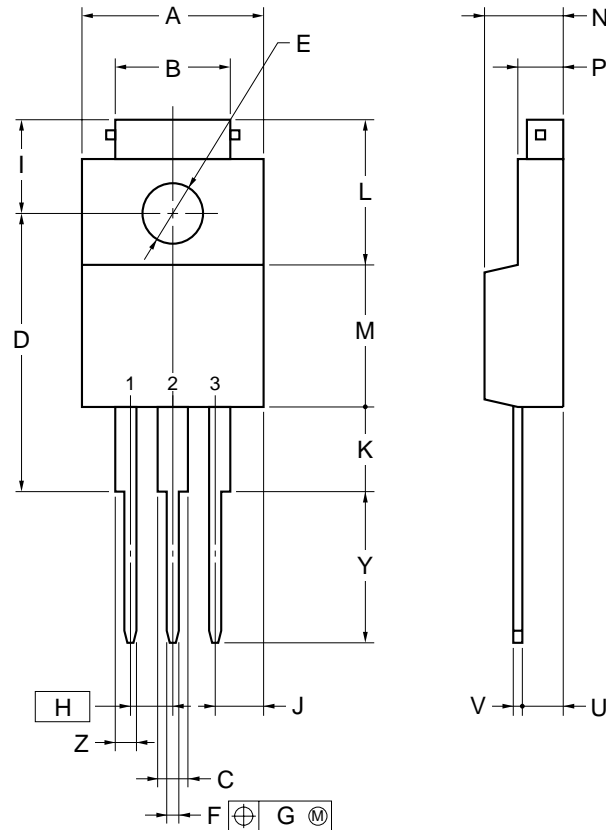




PACKAGE DRAWINGS

μPD29M00HF Series

3PIN PLASTIC SIP (MP-45G)



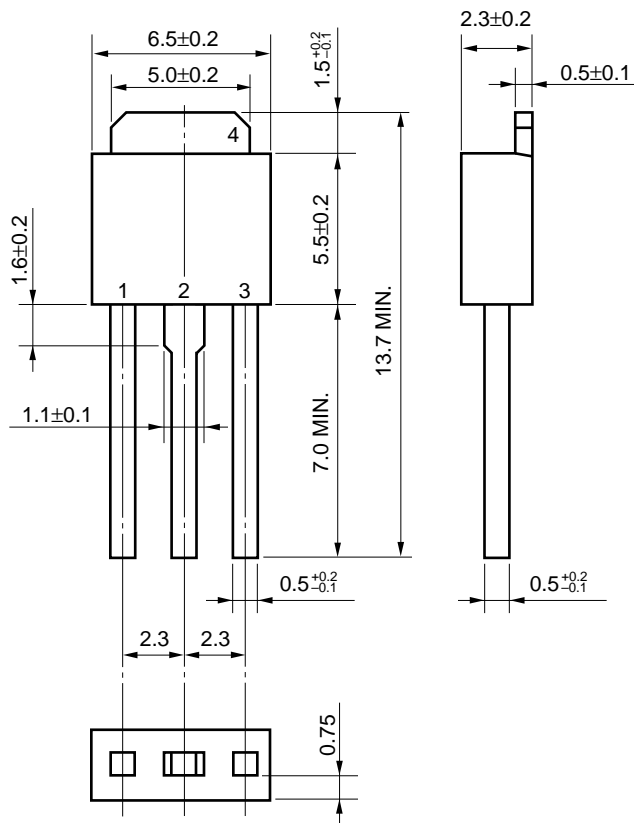
NOTE
 Each lead centerline is located within 0.25 mm of its true position (T.P.) at maximum material condition.

ITEM	MILLIMETERS
A	10.0±0.2
B	7.0±0.2
C	1.50±0.2
D	17.0±0.3
E	φ3.3±0.2
F	0.75±0.10
G	0.25
H	2.54 (T.P.)
I	5.0±0.3
J	2.46±0.2
K	5.0±0.2
L	8.5±0.2
M	8.5±0.2
N	4.5±0.2
P	2.8±0.2
U	2.4±0.5
V	0.65±0.10
Y	8.9±0.7
Z	1.30±0.2

P3HF-254B-4

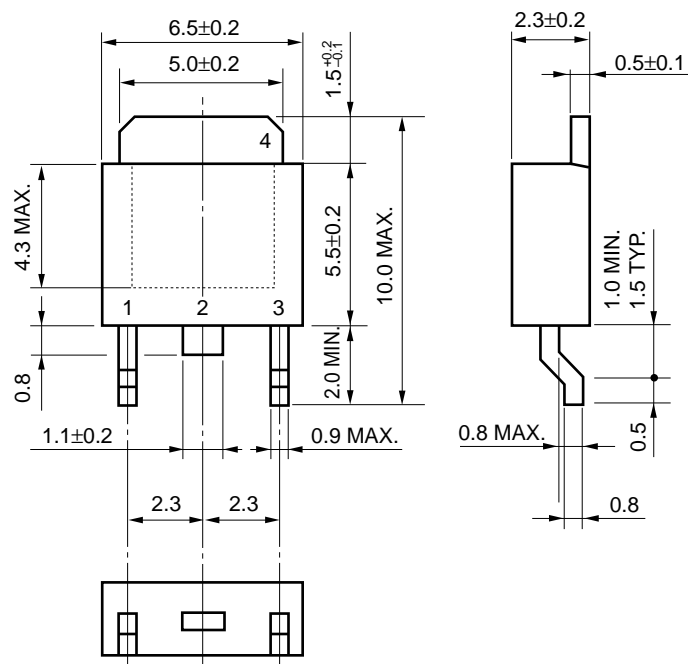
μPC29M00HB Series

MP-3 (SC-64) (Unit: mm)



μPC29M00T Series

MP-3Z (SC-63) (Unit: mm)



RECOMMENDED SOLDERING CONDITIONS

When soldering this product, it is highly recommended to observe the conditions as shown below. If other soldering processes are used, or if the soldering is performed under different condition, please make sure to consult with our sales offices.

For more details, refer to our document “**SEMICONDUCTOR DEVICE MOUNTING TECHNOLOGY MANUAL**” (C10535E).

Surface mount devices

μPC29M00T Series: MP-3Z

Process	Conditions	Symbol
Infrared ray reflow	Peak temperature: 235 °C or below (Package surface temperature), Reflow time: 30 seconds or less (at 210 °C or higher), Maximum number of reflow processes: 2 times.	IR35-00-2
VPS	Peak temperature: 215 °C or below (Package surface temperature), Reflow time: 40 seconds or less (at 200 °C or higher), Maximum number of reflow processes: 2 times.	VP15-00-2
Wave soldering	Solder temperature: 260 °C or below, Flow time: 10 seconds or less, Maximum number of flow processes: 1 time, Pre-heating temperature: 120 °C or below (Package surface temperature).	WS60-00-1
★ Partial heating method	Pin temperature: 300 °C or below, Heat time: 3 seconds or less (Per each side of the device).	—

Caution Apply only one kind of soldering condition to a device, except for “partial heating method”, or the device will be damaged by heat stress.

Through-hole devices

μPC29M00HF Series: MP-45G

μPC29M00HB Series: MP-3

Process	Conditions
Wave soldering (only to leads)	Solder temperature: 260 °C or below, Flow time: 10 seconds or less.
★ Partial heating method	Pin temperature: 300 °C or below, Heat time: 3 seconds or less (Per each pin).

Caution For through-hole device, the wave soldering process must be applied only to leads, and make sure that the package body does not get jet soldered.

CAUTION ON USE

When using the μ PC29M00 series at the input voltage which is lower than in the recommended operating condition, the big quiescent current flows through devices because the transistor of the output paragraph is saturated (Refer to I_{BIAS} ($I_{BIAS(s)}$) vs V_{IN} curves in **TYPICAL CHARACTERISTICS**). The μ PC29M00 series have saturation protection circuits, but they sometimes need about 80 mA current. Therefore the power supply on the input needs the enough current capacity to pass this quiescent current when the devices startup.

REFERENCE DOCUMENTS

★ QUALITY GRADE ON NEC SEMICONDUCTOR DEVICES	C11531E
SEMICONDUCTOR DEVICE MOUNTING TECHNOLOGY MANUAL	C10535E
IC PACKAGE MANUAL	C10943X
GUIDE TO QUALITY ASSUARANCE FOR SEMICONDUCTOR DEVICES	MEI-1202
SEMICONDUCTORS SELECTION GUIDE	X10679E
NEC SEMICONDUCTOR DEVICE RELIABILITY/QUALITY CONTROL	IEI-1212
SYSTEM-THREE TERMINAL REGULATOR	

[MEMO]

[MEMO]

No part of this document may be copied or reproduced in any form or by any means without the prior written consent of NEC Corporation. NEC Corporation assumes no responsibility for any errors which may appear in this document.

NEC Corporation does not assume any liability for infringement of patents, copyrights or other intellectual property rights of third parties by or arising from use of a device described herein or any other liability arising from use of such device. No license, either express, implied or otherwise, is granted under any patents, copyrights or other intellectual property rights of NEC Corporation or others.

While NEC Corporation has been making continuous effort to enhance the reliability of its semiconductor devices, the possibility of defects cannot be eliminated entirely. To minimize risks of damage or injury to persons or property arising from a defect in an NEC semiconductor device, customers must incorporate sufficient safety measures in its design, such as redundancy, fire-containment, and anti-failure features.

NEC devices are classified into the following three quality grades:

"Standard", "Special", and "Specific". The Specific quality grade applies only to devices developed based on a customer designated "quality assurance program" for a specific application. The recommended applications of a device depend on its quality grade, as indicated below. Customers must check the quality grade of each device before using it in a particular application.

Standard: Computers, office equipment, communications equipment, test and measurement equipment, audio and visual equipment, home electronic appliances, machine tools, personal electronic equipment and industrial robots

Special: Transportation equipment (automobiles, trains, ships, etc.), traffic control systems, anti-disaster systems, anti-crime systems, safety equipment and medical equipment (not specifically designed for life support)

Specific: Aircrafts, aerospace equipment, submersible repeaters, nuclear reactor control systems, life support systems or medical equipment for life support, etc.

The quality grade of NEC devices is "Standard" unless otherwise specified in NEC's Data Sheets or Data Books. If customers intend to use NEC devices for applications other than those specified for Standard quality grade, they should contact an NEC sales representative in advance.

Anti-radioactive design is not implemented in this product.