

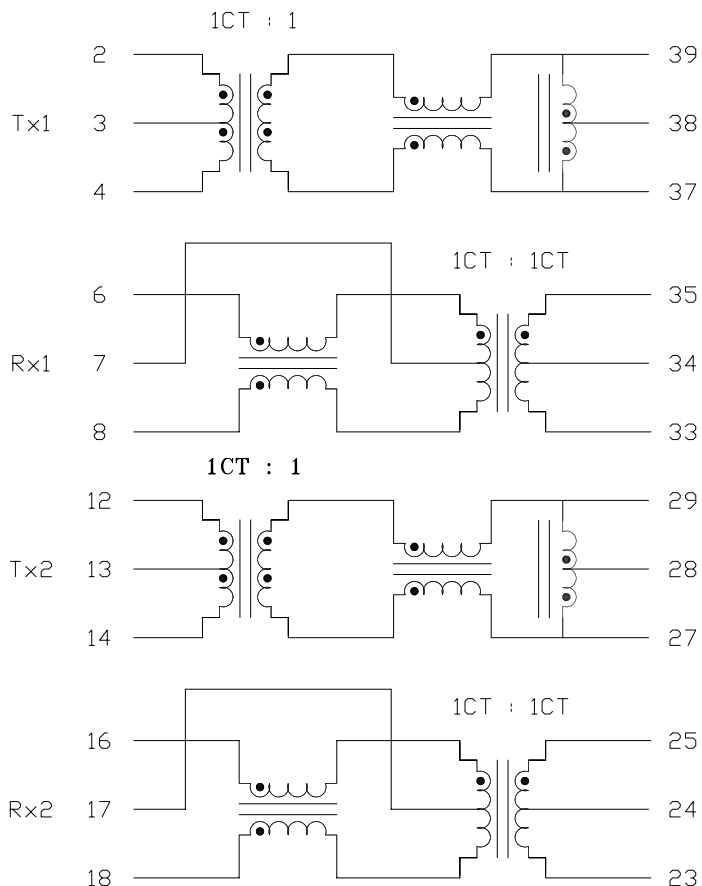
THE INFORMATION CONTAINED HEREIN IS CONSIDERED "PROPRIETARY" TO BEL FUSE INC. AND SHALL NOT BE COPIED, REPRODUCED OR DISCLOSED WITHOUT THE WRITTEN APPROVAL OF BEL FUSE INC.

PRELIMINARY



ELECTRICAL CHARACTERISTICS @ 25°C

SCHEMATIC

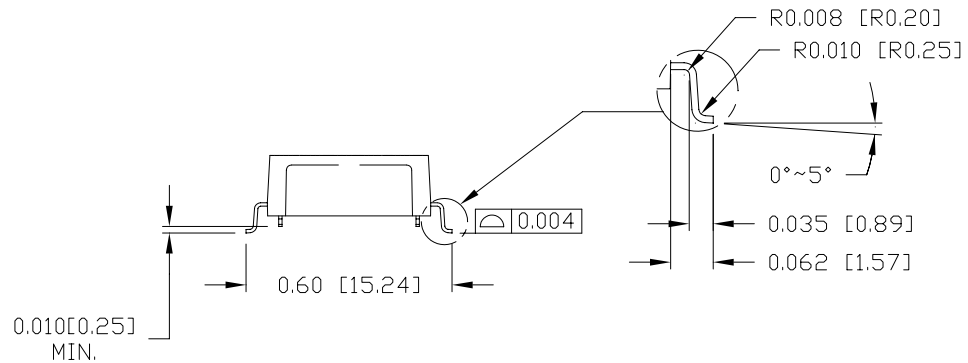
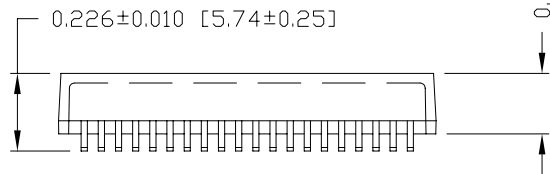
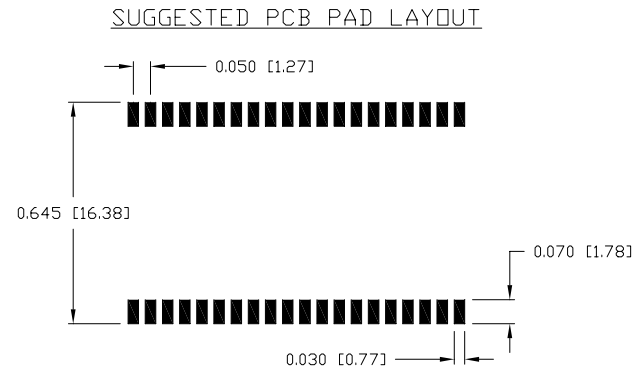
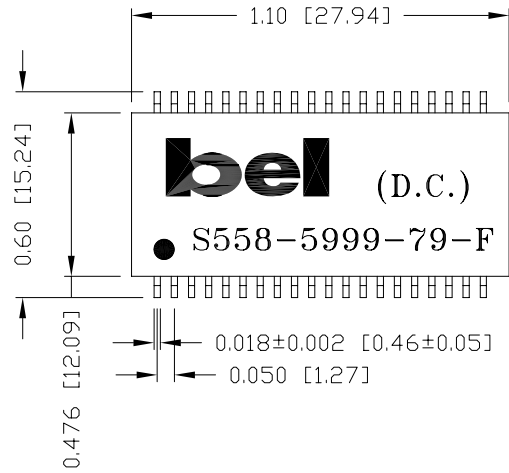


<p>TURN RATIO</p> <p>Tx SIDE: 1CT : 1</p> <p>Rx SIDE: 1CT : 1CT</p> <p>POLARITY</p> <p>2 & 39, 6 & 35, 12 & 29, 16 & 25</p> <p>IN PHASE</p> <p>OCL</p> <p>350uH MIN. @ 100kHz, 100mV</p> <p>WITH 8mA D.C. BIAS</p> <p>INSERTION LOSS</p> <p>1.0dB MAX. AT 100kHz TO 80MHZ</p> <p>RETURN LOSS</p> <p>MEASURED UNDER A 100 Ω ENVIRONMENT</p>	<table border="1"> <thead> <tr> <th>FREQ.(MHz)</th> <th>2</th> <th>5</th> <th>10</th> <th>30</th> <th>45</th> <th>60</th> <th>80</th> </tr> </thead> <tbody> <tr> <td>dB MIN</td> <td>20</td> <td>20</td> <td>20</td> <td>18</td> <td>15</td> <td>12</td> <td>10</td> </tr> </tbody> </table>	FREQ.(MHz)	2	5	10	30	45	60	80	dB MIN	20	20	20	18	15	12	10
FREQ.(MHz)	2	5	10	30	45	60	80										
dB MIN	20	20	20	18	15	12	10										
<p>RISE TIME</p> <p>2.5 nS TYP.</p> <p>COMMON TO DIFFEENTIAL MODE REJECTION</p> <p>40dB MIN. AT 100kHz TO 100MHZ</p> <p>COMMON TO COMMON MODE REJECTION</p> <p>30dB MIN. AT 100kHz TO 100MHZ</p> <p>CROSSTALK</p> <p>35dB MIN. AT 100kHz TO 100MHZ</p> <p>HIPOT</p> <p>PER HAND-WORK-03</p>																	

DRWN	DATE	TITLE	PART NO. / DRAWING NO.	STANDARD DIM. TOL. IN INCH	[] METRIC DIM. AS REFERENCE	<p>COMPONENTS FOR A CONNECTED PLANET</p>	
DQ Chen	12-10-04	10/100BT DUAL MAGNETICS MODULE	X558599979-F	.X	UNIT : INCH [mm]		REV. : PA
CHKD	DATE		FILE NAME	.XX	SCALE : N/A		SIZE : A4
HQ	12-10-04	S558-5999-79-F	X558599979FPA.DWG	.XXX		PAGE : 2	

THE INFORMATION CONTAINED HEREIN IS CONSIDERED "PROPRIETARY" TO BEL FUSE INC. AND SHALL NOT BE COPIED, REPRODUCED OR DISCLOSED WITHOUT THE WRITTEN APPROVAL OF BEL FUSE INC.

PRELIMINARY



NOTES:

- STANDARD MARKING REFER TO DOC. HAND-WORK-04.
- PACKAGE CODE: "RRS001".

DRWN Yang Hao	DATE 12-10-04	TITLE MECHANICAL DRAWING S558-5999-79-F	PART NO. / DRAWING NO. X558599979-F	STANDARD DIM. TOL. IN INCH		[] METRIC DIM. AS REFERENCE		REV. : PA	bel COMPONENTS FOR A CONNECTED PLANET
				.X		UNIT : INCH [mm]	SCALE : N/A		
CHKD Lawrence	DATE 12-10-04		FILE NAME X558599979FPA.DWG	.XX	±0.01			PAGE : 3	
				.XXX	±0.005				