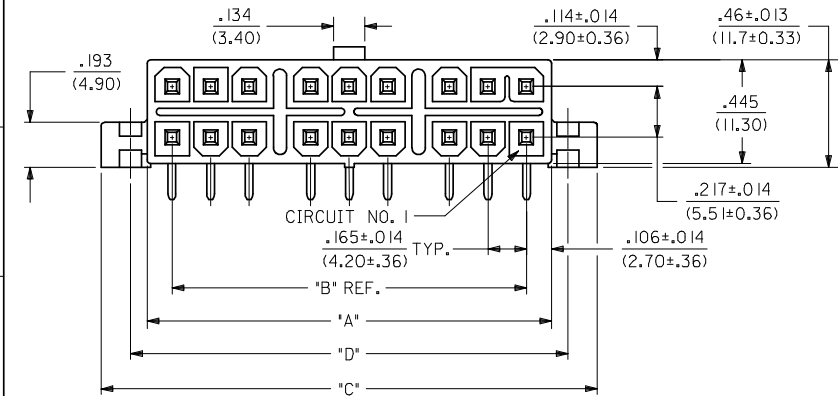
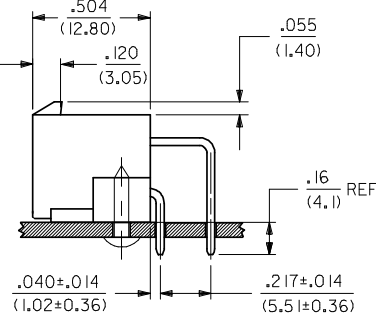
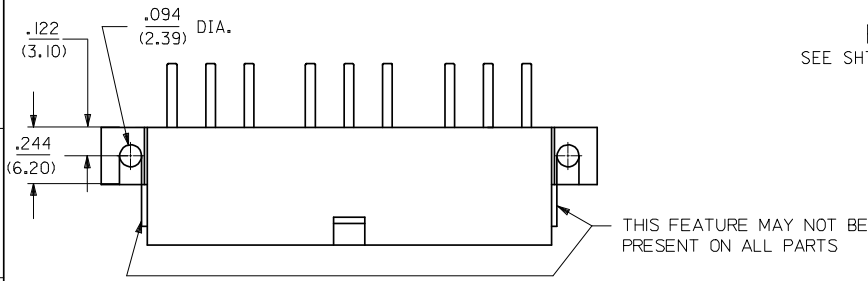


**OPTION A  
FLANGE MOUNT**  
SEE SHT. 2 FOR ADDITIONAL INFORMATION

NOTES:

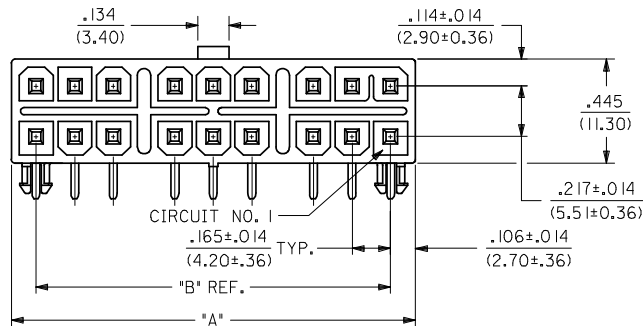
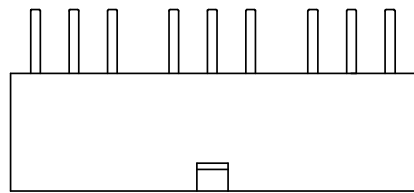
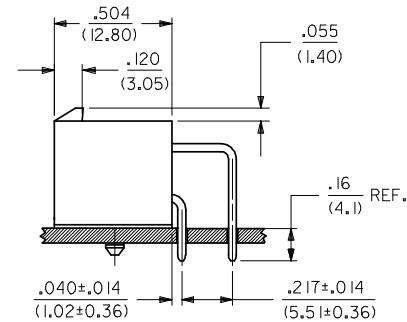
- MATERIALS:  
HOUSING: POLYESTER, UNFILLED, UL94 V-0, COLOR: BLACK  
PINS: BRASS
- PLATING:  
1=.000200/(0.00508) MIN. BRIGHT TIN OVER  
.000100/(0.00254) MIN. COPPER  
3=.000030/(0.00076) MIN. GOLD OVER  
.000050/(0.00127) MIN. NICKEL
- PRODUCT SPECIFICATION: PS-5556-003
- PACKAGING: BULK PACKAGING
- MATES WITH TPA RECEPTACLE NO. 30067-\*.  
PARTS ARE NOT DESIGNED TO BE MATED OR UNMATED WHILE CIRCUITS ARE LIVE.
- PART IS NOT DESIGNED FOR CURRENT SHARING.
- PART CONFORMS TO CLASS "B" REQUIREMENTS OF COSMETIC SPECIFICATION PS-45499-002.



**LEGEND**

A-30070-***	PLATING
NO. OF CIRCUITS	1 = (503)
	3 = (102)
PCB MOUNTING	
A = FLANGE	
B = PEG LOCK	

**OPTION B  
PEG MOUNT**  
SEE SHT. 3 FOR ADDITIONAL INFORMATION



4	M1
3	M1
2	M1
1	M1
SHT REV.	

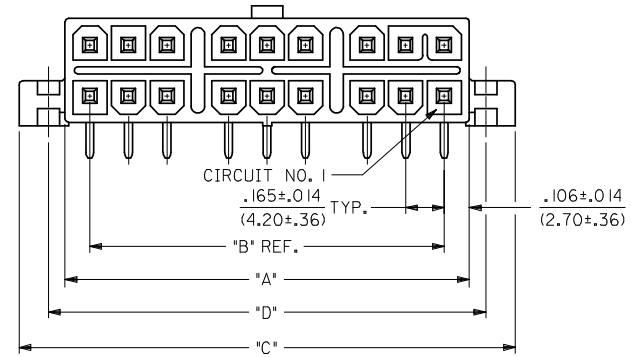
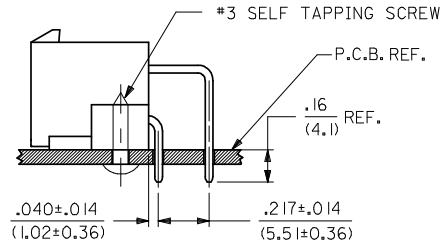
<b>ADD NOTE FOR RIB</b> EC NO: UCP2008-1664 DRWN: SCHMIDT 2008/01/25 CHKD: JEBELL 2008/01/25 APPR: FSM/TH 2008/01/28	QUALITY SYMBOLS ▽=0 ▽=0	GENERAL TOLERANCES (UNLESS SPECIFIED) <table border="1"> <tr> <th></th> <th>mm</th> <th>INCH</th> </tr> <tr> <td>4 PLACES</td> <td>±.005</td> <td>±.0002</td> </tr> <tr> <td>3 PLACES</td> <td>±.008</td> <td>±.0003</td> </tr> <tr> <td>2 PLACES</td> <td>±.015</td> <td>±.0006</td> </tr> <tr> <td>1 PLACE</td> <td>±.030</td> <td>±.0012</td> </tr> <tr> <td colspan="3">ANGULAR ±1/2°</td> </tr> </table>		mm	INCH	4 PLACES	±.005	±.0002	3 PLACES	±.008	±.0003	2 PLACES	±.015	±.0006	1 PLACE	±.030	±.0012	ANGULAR ±1/2°			DIMENSION STYLE IN/MM	SCALE 2:1	DESIGN UNITS METRIC	THIRD ANGLE PROJECTION
		mm	INCH																					
	4 PLACES	±.005	±.0002																					
	3 PLACES	±.008	±.0003																					
2 PLACES	±.015	±.0006																						
1 PLACE	±.030	±.0012																						
ANGULAR ±1/2°																								
DRAWN BY DMF	DATE 1990/6/15	TITLE MINI-FIT T.P.A. RIGHT ANGLE HEADER ASSEMBLY																						
CHECKED BY JRT	DATE 1990/6/15	MOLEX INCORPORATED																						
APPROVED BY SC	DATE 1990/6/15	MATERIAL NO. SEE CHARTS	DOCUMENT NO. SDA-30070-****	SHEET NO. 1 OF 4																				

DRAFT WHERE APPLICABLE  
MUST REMAIN  
WITHIN DIMENSIONS

THIS DRAWING CONTAINS INFORMATION THAT IS PROPRIETARY TO MOLEX INCORPORATED AND SHOULD NOT BE USED WITHOUT WRITTEN PERMISSION

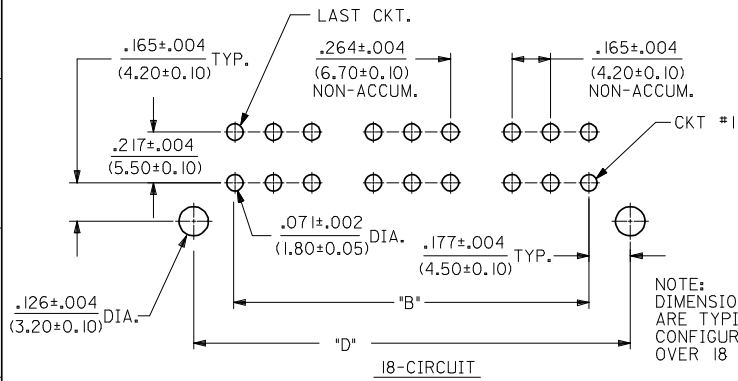
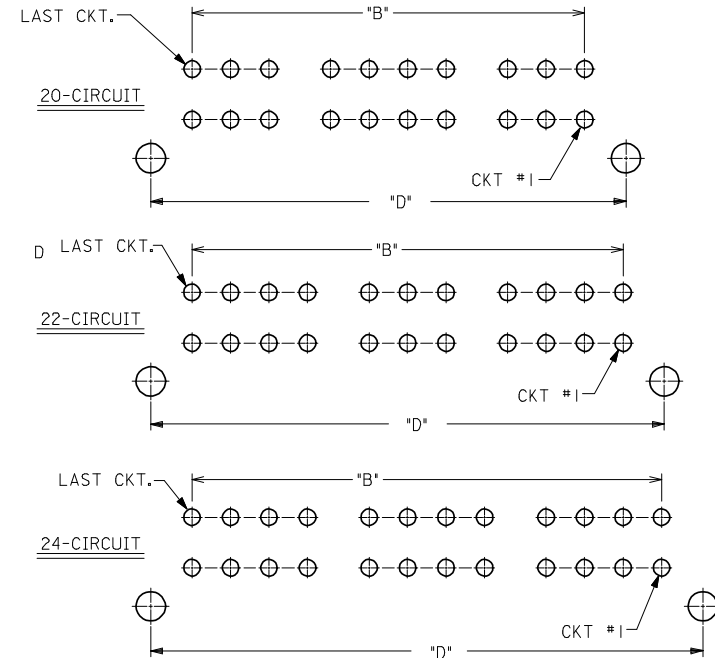
FLANGE MOUNT OPTION

CKT. SIZE	ENG. NO.	DIM. "A"	DIM. "B"	DIM. "C"	DIM. "D"
2	30070-02A*	.213 (5.40)	—	.606 (15.40)	.354 (9.00)
4	30070-04A*	.378 (9.60)	.165 (4.20)	.772 (19.60)	.520 (13.20)
6	30070-06A*	.543 (13.80)	.331 (8.40)	.937 (23.80)	.685 (17.40)
8	30070-08A*	.709 (18.00)	.496 (12.60)	1.102 (28.00)	.850 (21.60)
10	30070-10A*	.874 (22.20)	.661 (16.80)	1.268 (32.20)	1.016 (25.80)
12	30070-12A*	1.039 (26.40)	.827 (21.00)	1.433 (36.40)	1.181 (30.00)
14	30070-14A*	1.205 (30.60)	.992 (25.20)	1.598 (40.60)	1.346 (34.20)
16	30070-16A*	1.370 (34.80)	1.157 (29.40)	1.764 (44.80)	1.512 (38.40)
18	30070-18A*	1.732 (44.00)	1.520 (38.60)	2.126 (54.00)	1.874 (47.60)
20	30070-20A*	1.898 (48.20)	1.685 (42.80)	2.291 (58.20)	2.039 (51.80)
22	30070-22A*	2.063 (52.40)	1.850 (47.00)	2.457 (62.40)	2.205 (56.00)
24	30070-24A*	2.228 (56.60)	2.016 (51.20)	2.622 (66.60)	2.370 (60.20)

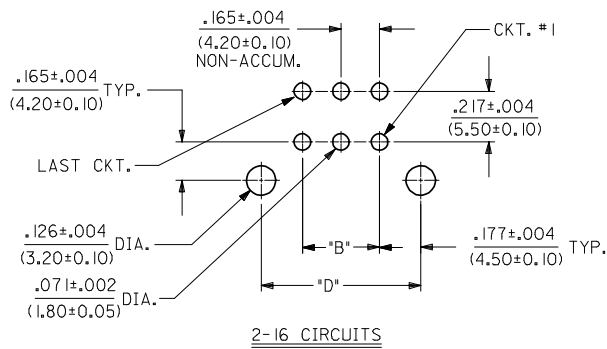


OPTION "A"  
FLANGE MOUNT

RECOMMENDED P.C.BOARD LAYOUT  
FOR .070/(1.78) MAX. THICK P.C. BOAR  
VIEWED FROM COMPONENT  
SIDE OF BOARD



NOTE:  
DIMENSIONS SHOWN IN THIS VIEW  
ARE TYPICAL FOR ALL P.C.B.  
CONFIGURATIONS  
OVER 18 CKTS.



UPDATE TITLE BLOCK EC NO: UCP2008-1664 DRAWN: SCHMIDT 2008/01/25 CHKD: JEBELL 2008/01/25 APPR: FSMITH 2008/01/28	DESCRIPTION REV	QUALITY SYMBOLS ▽=0 ▽=0	GENERAL TOLERANCES (UNLESS SPECIFIED)		DIMENSION STYLE IN/MM		SCALE 2:1	DESIGN UNITS METRIC	THIRD ANGLE PROJECTION
			4 PLACES ± --- ± ---	3 PLACES ± --- ± .010	2 PLACES ± 0.25 ± .014	1 PLACE ± 0.36 ± ---	ANGULAR ± 1/2°	DRAWN BY DMF	DATE 1990/06/04
DRAFT WHERE APPLICABLE MUST REMAIN WITHIN DIMENSIONS			SEE CHART		APPROVED BY SC		DATE 1990/06/04	Molex MOLEX INCORPORATED	
			MATERIAL NO.		DOCUMENT NO.		SHEET NO.		
			C		THIS DRAWING CONTAINS INFORMATION THAT IS PROPRIETARY TO MOLEX INCORPORATED AND SHOULD NOT BE USED WITHOUT WRITTEN PERMISSION		SDA-30070-****		2 OF 4

