

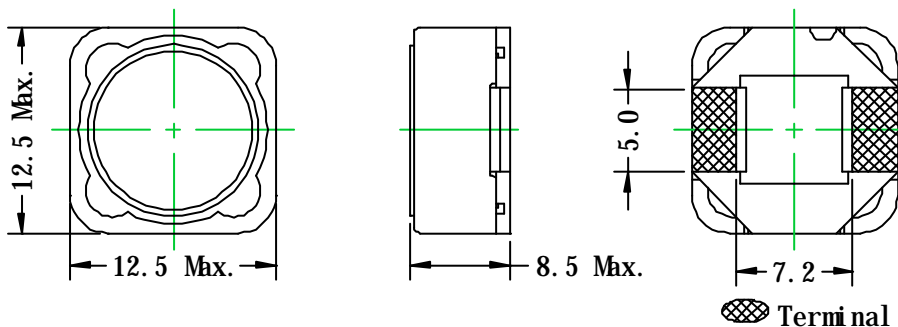
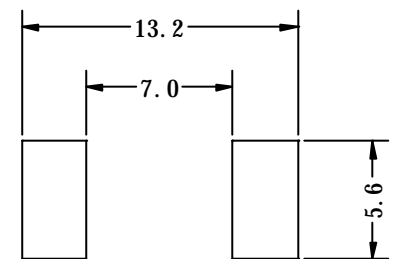
Type: CDRR127

UNDER DEVELOPMENT
Product Description

- 12.5×12.5mm Max. (L×W),8.5 mm Max. Height.
- Inductance range: 22 μ H.
- Rated current range: 4.45A.
- Custom design is available.


Feature

- Magnetically shielded construction.
- Ideally used in engine control modle.
- RoHS Compliance.

Dimensions (mm)

Land Pattern (mm)

Specification

Part Name	Stamp	Inductance [Within] 100kHz/1V	D.C.R. (m) Max. (at 20)	Saturation current Max.(Typ.) (A) 1	Temperature rise current Max.(Typ.) (A) 2
CDRR127NP-220MC	220	22 μ H ± 20%	37(29)	4.88(6.10)	4.45(5.02)

1.Saturation Current: The DC current at which the inductance decreases to 75% of it's initial value .
(Ta = 20)

2 Temperature rise current: The DC current at which the temperature rise is t = 40 .(Ta = 20)

NOTE: THIS SPEC IS NOT THE FINAL ISSUE. AND MAYBE SOME PARTS WILL BE CHANGED BEFORE PRODUCTION.