

Wirewound Rheostat/Potentiometer

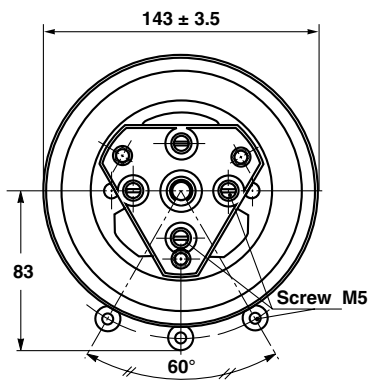
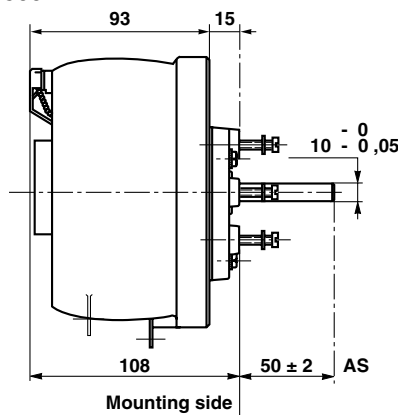
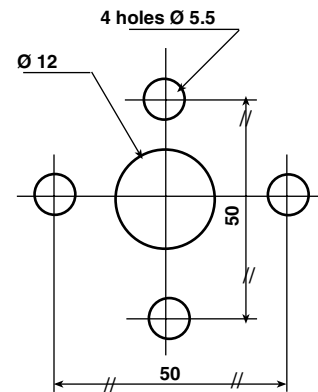


FEATURES

- 500 W at 25 °C
- Vitreous wirewound protection


RoHS
COMPLIANT

DIMENSIONS in millimeters


RT500

PANEL CUT OUT DETAILS


MECHANICAL SPECIFICATIONS

Mechanical Protection	vitreous
Mechanical Travel	300° ± 5°
Operating Torque	10 to 50 Ncm
End Stop Torque	200 Ncm
Unit Weight	1900 g

LOCKING DEVICE

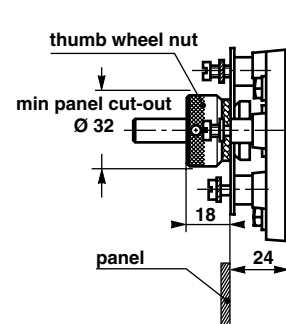
This is supplied as an option.

The available spindle length is according to the panel thickness.

Order reference: DBA11

ENVIRONMENTAL SPECIFICATIONS

Temperature Range	- 55 °C + 320 °C
Climatic Category	CCTU 454 CEI 55/200/56



ELECTRICAL SPECIFICATIONS

Ohmic Range	1Ω to 33 kΩ
Tolerance Standard	± 10 %
Power Rating	500 W at 25 °C
Variation Law	Standard linear
	On request sectorial winding
Limiting Element Voltage	3500 V
Dielectric Strength	3500 VRMS
Insulation Resistance	10 ³ MΩ (500 Vcc)

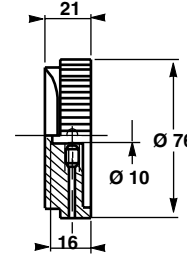
SPINDLES

Ø mm	DISTANCE TO MOUNTING PLATE mm	SCREW DRIVER SLOT	CODE
10	50	WITHOUT	AS

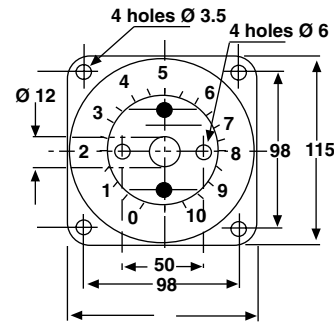
For any special requirement on request: spindle fl ats, etc.
Please supply detailed drawing.

PARTICULAR CHARACTERISTICS		
NOMINAL RESISTANCE Ω	MAX. SERVICE VOLTAGE V	MAX. CURRENT THROUGH WIPER A
1	22.4	22.4
1.5	27.3	18.2
2.2	33	15
3.3	40.6	12.3
4.7	48.4	10.3
6.8	58.3	8.57
10	70.7	7.07
15	86.5	5.77
22	105	4.77
33	128	3.89
47	153.2	3.26
68	184.3	2.71
100	224	2.24
150	273	1.82
220	330	1.5
330	406	1.23
470	484	1.03
680	584.8	0.86
1K	707	0.707
1.5K	865	0.577
2.2K	1050	0.477
3.3K	1283	0.389
4.7K	1532	0.326
6.8K	1843	0.271
10K	2240	0.224
15K	2730	0.182
22K	3322	0.151
33K	3500	0.106

COMMAND KNOB 60JF (OPTION)



DIAL CG115/4T (OPTION)



MARKING

SFERNICE trademark, series, style, ohmic value (in Ω or k Ω), tolerance (in %), maximum current in A, manufacturing date

ORDERING INFORMATION											
VITREOUS	RT	500	L	AS	22K	$\pm 10\%$	B01	e			
	SERIES	STYLE	SPINDLE LOCKING DEVICE	VARIATION LAW	SPECIAL DESIGN	WINDING	SPINDLE (Code)	OHMIC VALUE	TOLERANCE	PACKAGING	LEAD (Pb)-FREE
			Optional		Method N° Optional	Optional	for special spindles please supply detailed drawing				
		ACC		BOUTON CADIAN		CG115 60JF		e			
ACCESSORIES		MODEL		TYPE		STYLE		LEAD (Pb)-FREE			

SAP PART NUMBERING GUIDELINES						
RT	500	AS	2202	K	B	XXX
MODEL	STYLE	SPINDLE	OHMIC VALUE	TOLERANCE	PACKAGING	SPECIAL DESIGN
	ACCRF		BOUTON		60JF	
	MODEL		TYPE		STYLE	



Disclaimer

All product specifications and data are subject to change without notice.

Vishay Intertechnology, Inc., its affiliates, agents, and employees, and all persons acting on its or their behalf (collectively, "Vishay"), disclaim any and all liability for any errors, inaccuracies or incompleteness contained herein or in any other disclosure relating to any product.

Vishay disclaims any and all liability arising out of the use or application of any product described herein or of any information provided herein to the maximum extent permitted by law. The product specifications do not expand or otherwise modify Vishay's terms and conditions of purchase, including but not limited to the warranty expressed therein, which apply to these products.

No license, express or implied, by estoppel or otherwise, to any intellectual property rights is granted by this document or by any conduct of Vishay.

The products shown herein are not designed for use in medical, life-saving, or life-sustaining applications unless otherwise expressly indicated. Customers using or selling Vishay products not expressly indicated for use in such applications do so entirely at their own risk and agree to fully indemnify Vishay for any damages arising or resulting from such use or sale. Please contact authorized Vishay personnel to obtain written terms and conditions regarding products designed for such applications.

Product names and markings noted herein may be trademarks of their respective owners.