

FEATURES

DC PERFORMANCE

- 1 mV max Input Offset Voltage
- Low Offset Drift: 20 $\mu\text{V}/^\circ\text{C}$
- 1 pA max Input Bias Current
- Input Bias Current Guaranteed Over Full Common-Mode Voltage Range

AC PERFORMANCE

- 3 V/ μs Slew Rate
- 1 MHz Unity Gain Bandwidth
- Low Input Voltage Noise: 4 μV p-p, 0.1 Hz to 10 Hz
- Available in a Low Cost, 8-Pin Plastic Mini-DIP
- Standard Op Amp Pinout

APPLICATIONS

- Electrometer Amplifiers
- Photodiode Preamps
- pH Electrode Buffers
- Log Ratio Amplifiers

PRODUCT DESCRIPTION

The AD546 is a monolithic electrometer combining the virtues of low (1 pA) input bias current with the cost effectiveness of a plastic mini-DIP package. Both input offset voltage and input offset voltage drift are laser trimmed, providing very high performance for such a low cost amplifier.

Input bias currents are reduced significantly by using "topgate" JFET technology. The $10^{15} \Omega$ common-mode impedance, resulting from a bootstrapped input stage, insures that input bias current is essentially independent of common-mode voltage variations.

The AD546 is suitable for applications requiring both minimal levels of input bias current and low input offset voltage. Applications for the AD546 include use as a buffer amplifier for current output transducers such as photodiodes and pH probes. It may also be used as a precision integrator or as a low droop rate sample and hold amplifier. The AD546 is pin compatible with standard op amps; its plastic mini-DIP package is ideal for use with automatic insertion equipment.

The AD546 is available in two performance grades, all rated over the 0°C to $+70^\circ\text{C}$ commercial temperature range, and packaged in an 8-pin plastic mini-DIP.

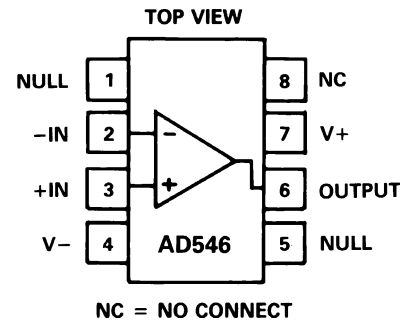
*Covered by Patent No. 4,639,683.

REV. A

Information furnished by Analog Devices is believed to be accurate and reliable. However, no responsibility is assumed by Analog Devices for its use, nor for any infringements of patents or other rights of third parties which may result from its use. No license is granted by implication or otherwise under any patent or patent rights of Analog Devices.

CONNECTION DIAGRAM

8-Pin Plastic
Mini-DIP Package



PRODUCT HIGHLIGHTS

1. The input bias current of the AD546 is specified, 100% tested and guaranteed with the device in the fully warmed-up condition.
2. The input offset voltage of the AD546 is laser trimmed to less than 1 mV (AD546K).
3. The AD546 is packaged in a standard, low cost, 8-pin mini-DIP.
4. A low quiescent supply current of 700 μA minimizes any thermal effects which might degrade input bias current and input offset voltage specifications.

AD546—SPECIFICATIONS (@ +25°C and ±15 V dc, unless otherwise noted)

Model	Conditions	AD546J			AD546K			Units
		Min	Typ	Max	Min	Typ	Max	
INPUT BIAS CURRENT¹								
Either Input	$V_{CM} = 0\text{ V}$		0.2	1		0.2	0.5	pA
Either Input	$V_{CM} = \pm 10\text{ V}$		0.1	1		0.2	0.5	pA
Either Input @ T_{MAX}	$V_{CM} = 0\text{ V}$		40			20		pA
Either Input	$V_{CM} = \pm 10\text{ V}$		40			20		pA
Offset Current	$V_{CM} = 0\text{ V}$		0.17			0.09		pA
Offset Current @ T_{MAX}	$V_{CM} = 0\text{ V}$		13			7		pA
INPUT OFFSET								
Initial Offset				2			1	pA
Offset @ T_{MAX} vs. Temperature			20	3		20	2	mV $\mu\text{V}/^\circ\text{C}$
vs. Supply				100			100	$\mu\text{V}/\text{V}$
vs. Supply	$T_{MIN}-T_{MAX}$			100			100	$\mu\text{V}/\text{V}$
Long-Term Stability			20			20		$\mu\text{V}/\text{Month}$
INPUT VOLTAGE NOISE								
	$f = 0.1\text{ Hz to }10\text{ Hz}$		4			4		$\mu\text{V p-p}$
	$f = 10\text{ Hz}$		90			90		$\text{nV}/\sqrt{\text{Hz}}$
	$f = 100\text{ Hz}$		60			60		$\text{nV}/\sqrt{\text{Hz}}$
	$\bar{f} = 1\text{ kHz}$		35			35		$\text{nV}/\sqrt{\text{Hz}}$
	$f = 10\text{ kHz}$		35			35		$\text{nV}/\sqrt{\text{Hz}}$
INPUT CURRENT NOISE								
	$f = 0.1\text{ Hz to }10\text{ Hz}$		1.3			1.3		fA rms
	$f = 1\text{ kHz}$		0.4			0.4		fA/ $\sqrt{\text{Hz}}$
INPUT IMPEDANCE								
Differential	$V_{DIFF} = \pm 1\text{ V}$		$10^{13} 1$			$10^{13} 1$		ΩpF
Common Mode	$V_{CM} = \pm 10\text{ V}$		$10^{15} 0.8$			$10^{15} 0.8$		ΩpF
OPEN LOOP GAIN								
	$V_O = \pm 10\text{ V}$ $R_{LOAD} = 10\text{ k}\Omega$	300	1000		300	1000		V/mV
$T_{MIN}-T_{MAX}$	$V_O = \pm 10\text{ V}$ $R_{LOAD} = 10\text{ k}\Omega$	300	800		300	800		V/mV
	$V_O = \pm 10\text{ V}$ $R_{LOAD} = 2\text{ k}\Omega$	100	250		100	250		V/mV
$T_{MIN}-T_{MAX}$	$V_O = \pm 10\text{ V}$ $R_{LOAD} = 2\text{ k}\Omega$	80	200		80	200		V/mV
INPUT VOLTAGE RANGE								
Differential ³			±20			±20		V
Common-Mode Voltage		-10		+10	-10		+10	V
Common-Mode Rejection Ratio	$V_{CM} = \pm 10\text{ V}$	80	90		84	100		dB
	$T_{MIN}\text{ to }T_{MAX}$	76	80		76	80		dB
OUTPUT CHARACTERISTICS								
Voltage	$R_{LOAD} = 10\text{ k}\Omega$	-12		+12	-12		+12	V
	$R_{LOAD} = 2\text{ k}\Omega$	-10		+10	-10		+10	V
Current	Short Circuit	15	20	35	15	20	35	mA
Load Capacitance Stability	Gain = +1		4000			4000		pF

Model	Conditions	AD546J			AD546K			Units
		Min	Typ	Max	Min	Typ	Max	
FREQUENCY RESPONSE								
Gain BW, Small Signal	$G = -1$	0.7	1.0		0.7	1.0		MHz
Full Power Response	$V_O = 20\text{ V p-p}$		50			50		kHz
Slew Rate, Unity Gain	$G = -1$	2	3		2	3		V/ μs
Settling Time	to 0.1%		4.5			4.5		μs
	to 0.01%		5			5		μs
Overload Recovery	50% Overdrive Gain = -1		2			2		μs
POWER SUPPLY								
Rated Performance			± 15			± 15		V
Operating Range		± 5		± 18	± 5		± 18	V
Quiescent Current			0.60	0.7		0.60	0.7	mA
Transistor Count	# of Transistors		50			50		
PACKAGE OPTIONS								
Plastic Mini-DIP (N-8)			AD546JN			AD546KN		

NOTES

¹Bias current specifications are guaranteed maximum, at either input, after 5 minutes of operation at $T_A = +25^\circ\text{C}$. Bias current increases by a factor of 2.3 for every 10°C rise in temperature.

²Input offset voltage specifications are guaranteed after 5 minutes of operation at $T_A = +25^\circ\text{C}$.

³Defined as max continuous voltage between inputs, such that neither exceeds $\pm 10\text{ V}$ from ground.

Specifications subject to change without notice.

Specifications in **boldface** are tested on all production units at final electrical test. Results from those tests are used to calculate outgoing quality levels. All min and max specifications are guaranteed, although only those shown in **boldface** are tested on all production units.

ABSOLUTE MAXIMUM RATINGS¹

Supply Voltage $\pm 18\text{ V}$

Internal Power Dissipation 500 mW

Input Voltage² $\pm 18\text{ V}$

Output Short Circuit Duration Indefinite

Differential Input Voltage $+V_S$ and $-V_S$

Storage Temperature Range -65°C to $+125^\circ\text{C}$

Operating Temperature Range 0°C to $+70^\circ\text{C}$

Lead Temperature Range (Soldering 60 sec) $+300^\circ\text{C}$

NOTES

¹Stresses above those listed under "Absolute Maximum Ratings" may cause permanent damage to the device. This is a stress rating only and functional operation of the device at these or any other conditions above those indicated in the operational section of this specification is not implied. Exposure to absolute maximum rating conditions for extended periods may affect device reliability.

²For supply voltages less than $\pm 18\text{ V}$, the absolute maximum input voltage is equal to the supply voltage.

CAUTION

ESD (electrostatic discharge) sensitive device. Electrostatic charges as high as 4000 V readily accumulate on the human body and test equipment and can discharge without detection. Although the AD546 features proprietary ESD protection circuitry, permanent damage may occur on devices subjected to high energy electrostatic discharges. Therefore, proper ESD precautions are recommended to avoid performance degradation or loss of functionality.



AD546—Typical Characteristics ($V_S = \pm 15\text{ V}$, unless otherwise noted)

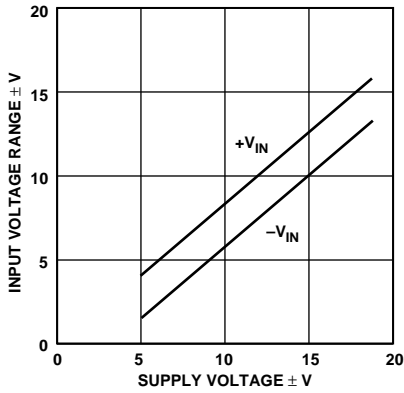


Figure 1. Input Voltage Range vs. Supply Voltage

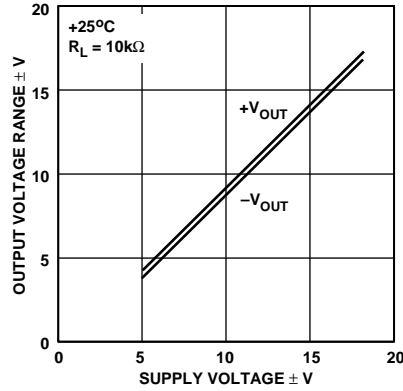


Figure 2. Output Voltage Range vs. Supply Voltage

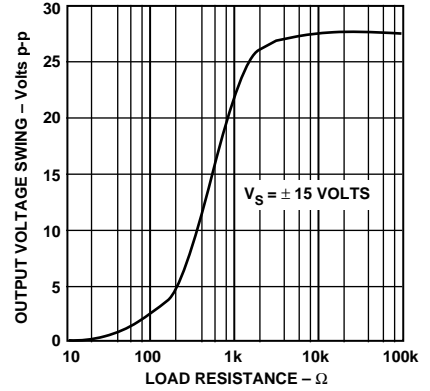


Figure 3. Output Voltage Swing vs. Resistive Load

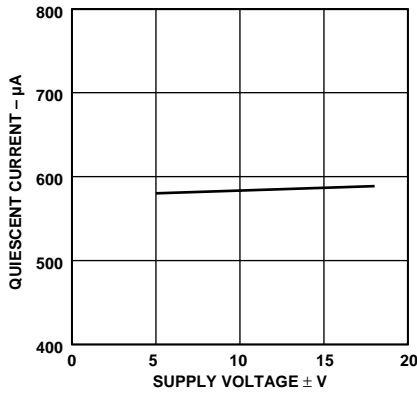


Figure 4. Quiescent Current vs. Supply Voltage

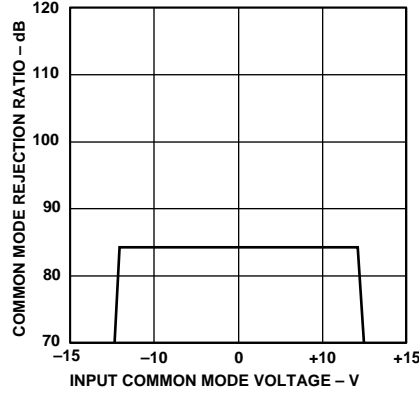


Figure 5. CMRR vs. Input Common-Mode Voltage

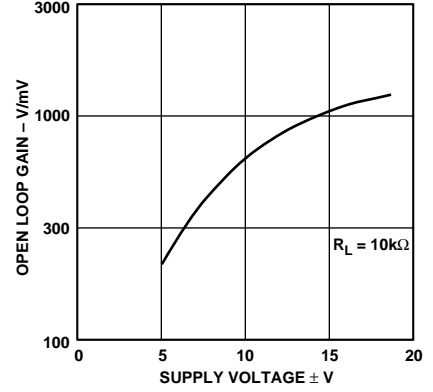


Figure 6. Open Loop Gain vs. Supply Voltage

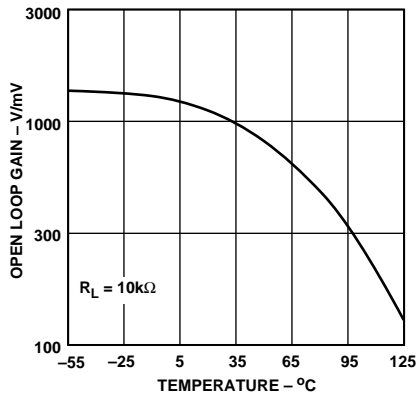


Figure 7. Open Loop Gain vs. Temperature

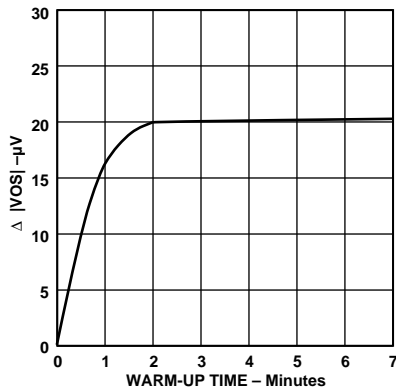


Figure 8. Change in Offset Voltage vs. Warm-Up Time

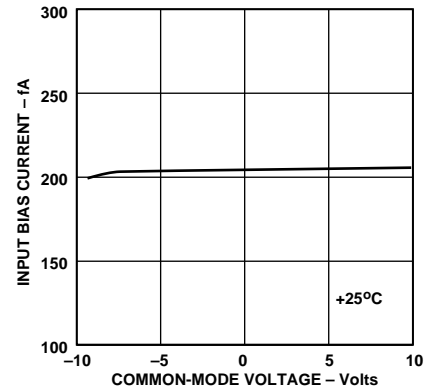


Figure 9. Input Bias Current vs. Common-Mode Voltage

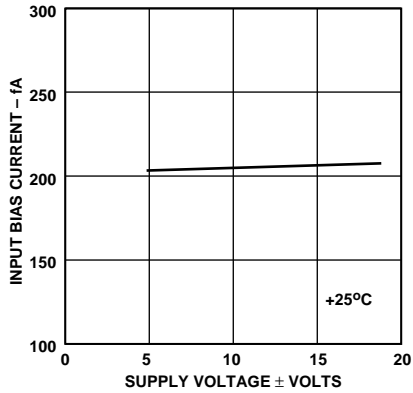


Figure 10. Input Bias Current vs. Supply Voltage

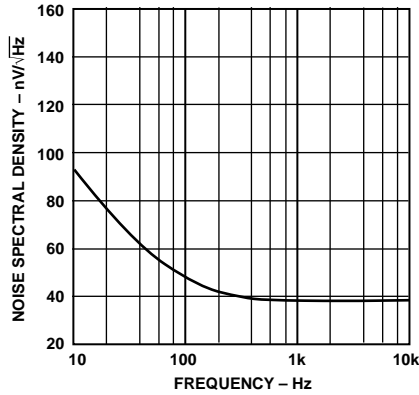


Figure 11. Input Voltage Noise Spectral Density vs. Frequency

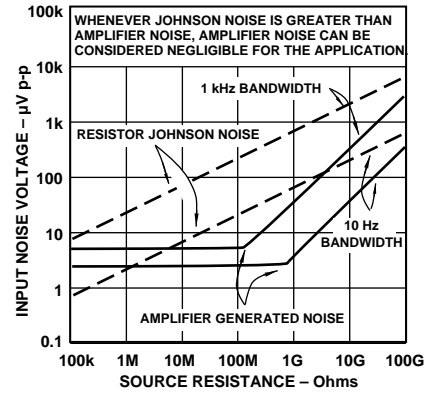


Figure 12. Noise vs. Source Resistance

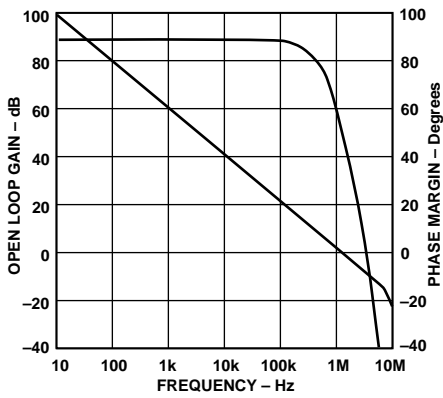


Figure 13. Open Loop Frequency Response

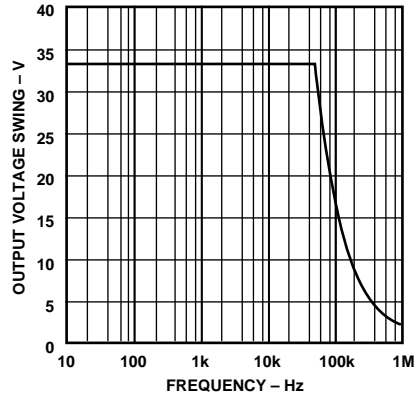


Figure 14. Large Signal Frequency Response

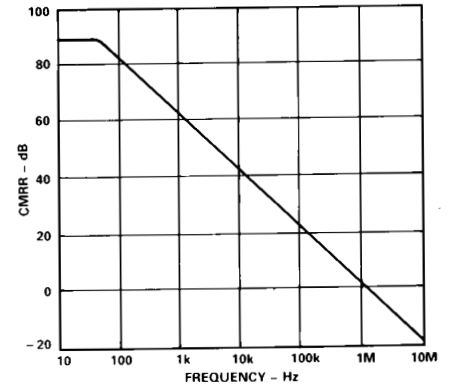


Figure 15. CMRR vs. Frequency

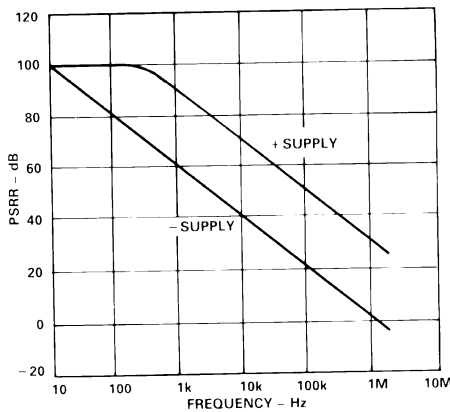


Figure 16. PSRR vs. Frequency

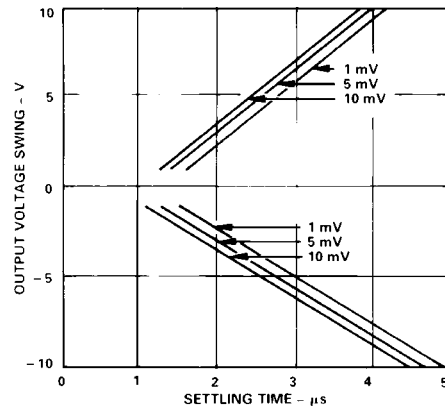


Figure 17. Output Settling Time vs. Output Swing and Error Voltage

AD546

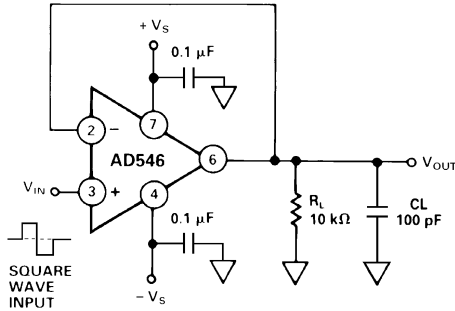


Figure 18. Unity Gain Follower

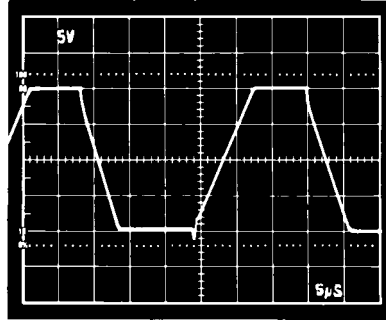


Figure 19. Unity Gain Follower Large Signal Pulse Response

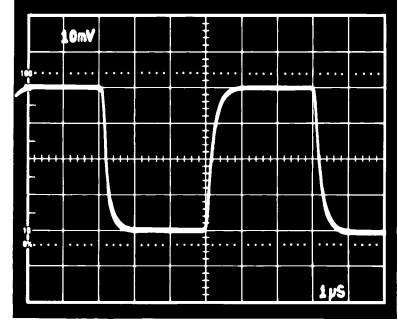


Figure 20. Unity Gain Follower Small Signal Pulse Response

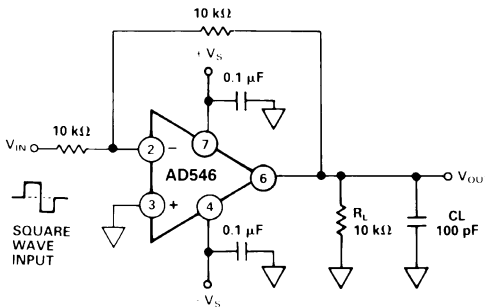


Figure 21. Unity Gain Inverter

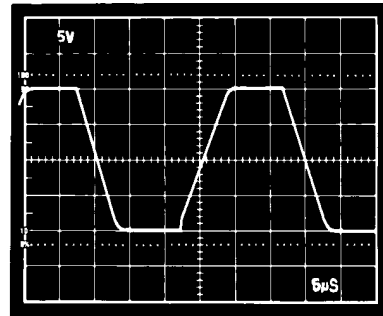


Figure 22. Unity Gain Inverter Large Signal Pulse Response

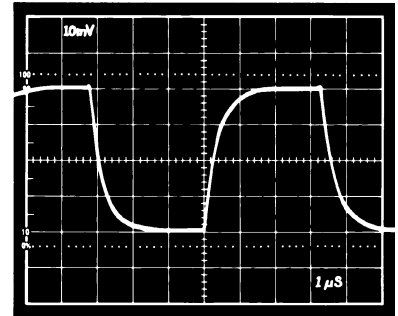


Figure 23. Unity Gain Inverter Small Signal Pulse Response

MINIMIZING INPUT CURRENT

The AD546 is guaranteed to have less than 1 pA max input bias current at room temperature. Careful attention to how the amplifier is used will reduce input currents in actual applications.

The amplifier operating temperature should be kept as low as possible to minimize input current. Like other JFET input amplifiers, the AD546's input current is sensitive to chip temperature, rising by a factor of 2.3 for every 10°C rise. This is illustrated in Figure 24, a plot of AD546 input current versus ambient temperature.

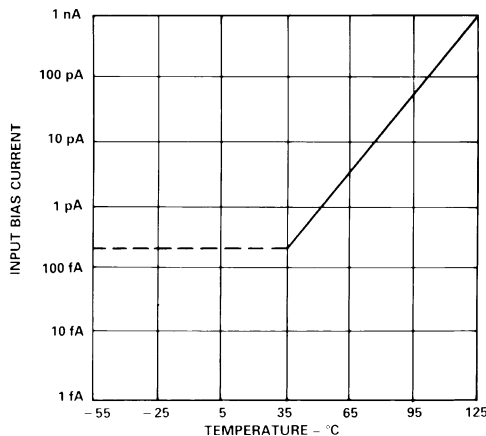


Figure 24. AD546 Input Bias Current vs Ambient Temperature

On-chip power dissipation will raise chip operating temperature causing an increase in input bias current. Due to the AD546's low quiescent supply current, chip temperature when the (unloaded) amplifier is operated with 15 V supplies, is less than 3°C higher than ambient. The difference in input current is negligible.

However, heavy output loads can cause a significant increase in chip temperature and a corresponding increase in input current. Maintaining a minimum load resistance of 10 kΩ is recommended. Input current versus additional power dissipation due to output drive current is plotted in Figure 25.

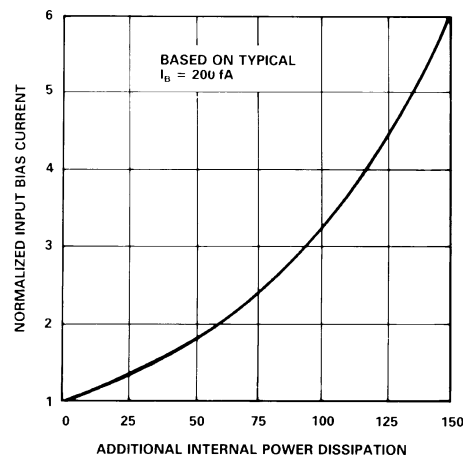


Figure 25. AD546 Input Bias Current vs. Additional Power Dissipation

Circuit Board Notes

The AD546 is designed for through hole mount into PC boards. Maintaining picoampere level resolution in that environment requires a lot of care. Since both the printed circuit board and the amplifier's package have a finite resistance, the voltage difference between the amplifier's input pin and other pins (or traces on the PC board) will cause parasitic currents to flow into (or out of) the signal path (see Figure 26). These currents can easily exceed the 1 pA input current level of the AD546 unless special precautions are taken. Two successful methods for minimizing leakage are guarding the AD546's input lines and maintaining adequate insulation resistance.

The AD546's positive input (Pin 3) is located next to the negative supply voltage pin (Pin 4). The negative input (Pin 2) is next to the balance adjust pin (Pin 1) which is biased at a potential close to the negative supply voltage. The layouts shown in Figures 27a and 27b for the inverter and follower connections will guard against the effects of low surface resistance of the board. Note that the guard traces should be placed on *both* sides of the board. In addition the input trace should be guarded on both of its edges along its entire length.

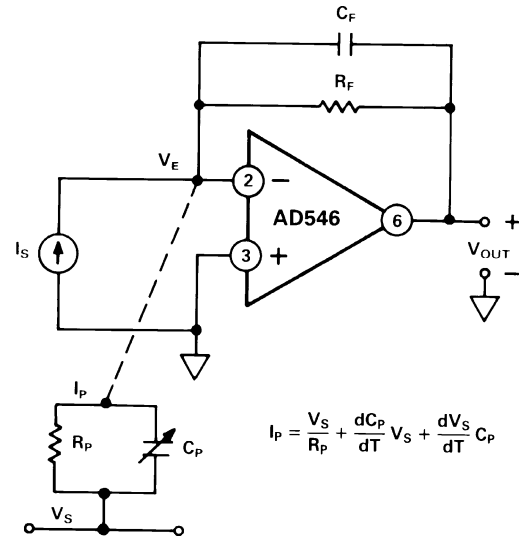


Figure 26. Sources of Parasitic Leakage Currents

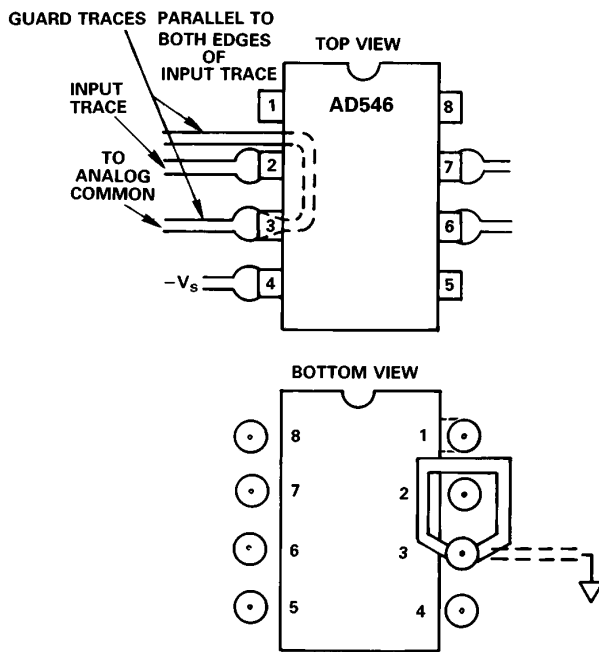


Figure 27a. Guarding Scheme—Inverter

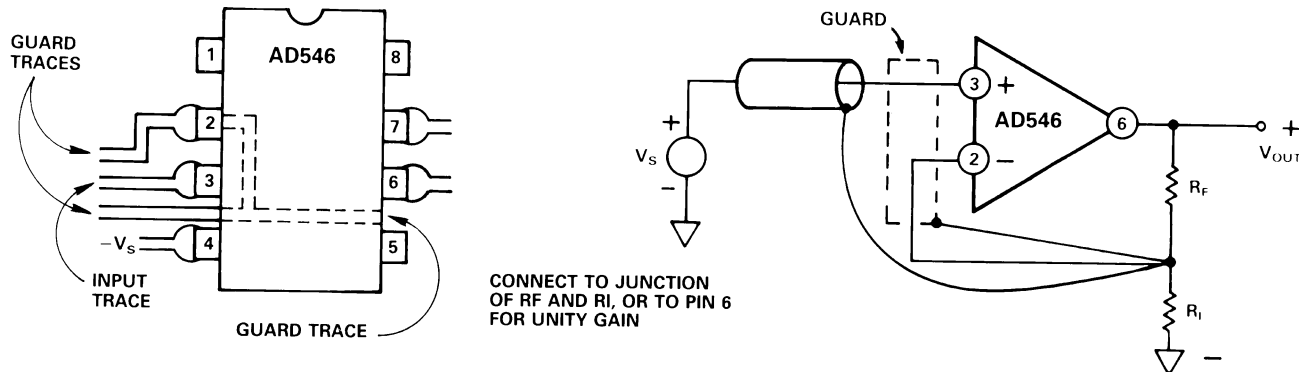


Figure 27b. Guarding Scheme—Follower

AD546

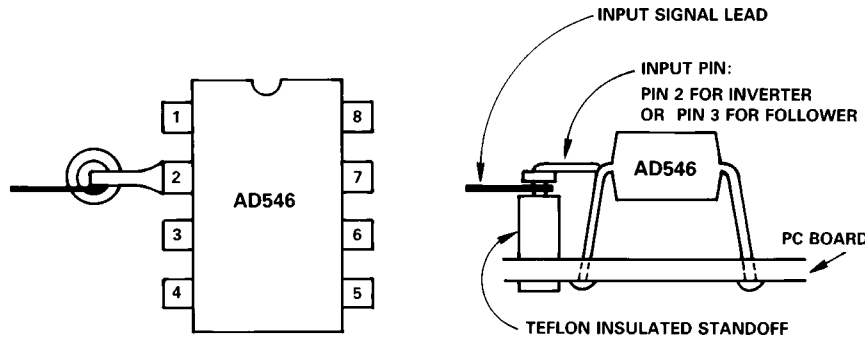


Figure 28. Input Pin to Insulating Standoff

Leakage through the bulk of the circuit board will still occur with the guarding schemes shown in Figures 27a and 27b. Standard "G10" type printed circuit board material may not have high enough volume resistivity to hold leakages at the sub-picoampere level particularly under high humidity conditions. One option that eliminates all effects of board resistance is shown in Figure 28. The AD546's sensitive input pin (either Pin 2 when connected as an inverter, or Pin 3 when connected as a follower) is bent up and soldered directly to a Teflon* insulated standoff. Both the signal input and feedback component leads must also be insulated from the circuit board by Teflon standoffs or low-leakage shielded cable.

Contaminants such as solder flux on the board's surface and on the amplifier's package can greatly reduce the insulation resistance between the input pin and those traces with supply or signal voltages. Both the package and the board must be kept clean and dry. An effective cleaning procedure is to first swab the surface with high grade isopropyl alcohol, then rinse it with deionized water and, finally, bake it at 80°C for 1 hour. Note that if either polystyrene or polypropylene capacitors are used on the printed circuit board, a baking temperature of 70°C is safer, since both of these plastic compounds begin to melt at approximately +85°C.

Other guidelines include making the circuit layout as compact as possible and reducing the length of input lines. Keeping circuit board components rigid and minimizing vibration will reduce triboelectric and piezoelectric effects. All precision high impedance circuitry requires shielding from electrical noise and interference. For example, a ground plane should be used under all high value (i.e., greater than 1 MΩ) feedback resistors. In some cases, a shield placed over the resistors, or even the entire amplifier, may be needed to minimize electrical interference originating from other circuits. Referring to the equation in Figure 26, this coupling can take place in either, or both, of two different forms—coupling via time varying fields:

$$\frac{dV}{dT} C_P$$

or by injection of parasitic currents by changes in capacitance due to mechanical vibration:

$$\frac{dC_P}{dT} V$$

Both proper shielding and rigid mechanical mounting of components help minimize error currents from both of these sources. Table I lists various insulators and their properties.

Table I. Insulating Materials and Characteristics

Material ¹	Volume Resistivity (Ω-CM)	Minimal Triboelectric Effects	Minimal Piezoelectric Effects	Resistance to Water Absorption
Teflon*	10 ¹⁷ -10 ¹⁸	W	W	G
Kel-F**	10 ¹⁷ -10 ¹⁸	W	M	G
Sapphire	10 ¹⁶ -10 ¹⁸	M	G	G
Polyethylene	10 ¹⁴ -10 ¹⁸	M	G	M
Polystyrene	10 ¹² -10 ¹⁸	W	M	M
Ceramic	10 ¹² -10 ¹⁴	W	M	W
Glass Epoxy	10 ¹⁰ -10 ¹⁷	W	M	W
PVC	10 ¹⁰ -10 ¹⁵	G	M	G
Phenolic	10 ⁵ -10 ¹²	W	G	W

G—Good with Regard to Property.

M—Moderate with Regard to Property.

W—Weak with Regard to Property.

¹Electronic Measurements, pp.15-17, Keithley Instruments, Inc., Cleveland, Ohio, 1977.

*Teflon is a registered trademark of E.I. du Pont Co.

**Kel-F is a registered trademark of 3M Company.

OFFSET NULLING

The AD546's input offset voltage can be nulled by using balance Pins 1 and 5, as shown in Figure 29. Nulling the input offset voltage in this fashion will introduce an added input offset voltage drift component of 2.4 μV/°C per millivolt of nulled offset.

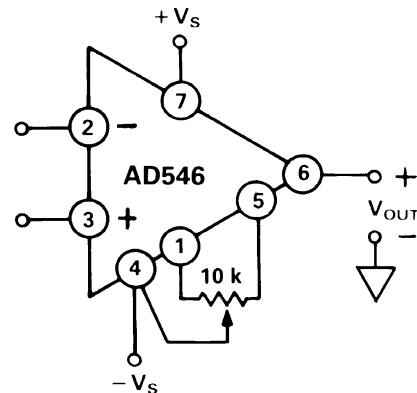


Figure 29. Standard Offset Null Circuit

The circuit in Figure 30 can be used when the amplifier is used as an inverter. This method introduces a small voltage in series with the amplifier's positive input terminal. The amplifier's

input offset voltage drift with temperature is not affected. However, variation of the power supply voltages will cause offset shifts.

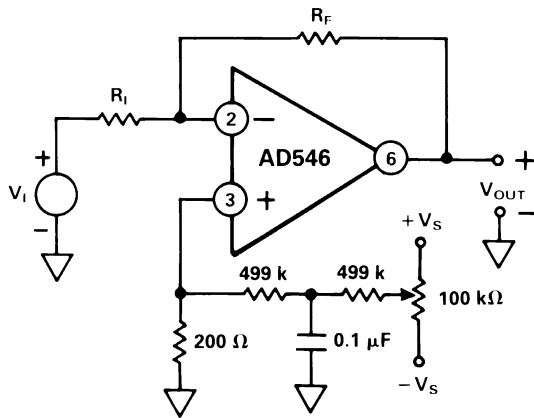


Figure 30. Alternate Offset Null Circuit for Inverter

AC RESPONSE WITH HIGH VALUE SOURCE AND FEEDBACK RESISTANCE

Source and feedback resistances greater than 100 kΩ will magnify the effect of input capacitances (stray and inherent to the AD546) on the ac behavior of the circuit. The effects of common-mode and differential-input capacitances should be taken into account since the circuit’s bandwidth and stability can be adversely affected.

In a follower, the source resistance, R_S , and input common-mode capacitance, C_S (including capacitance due to board and capacitance inherent to the AD546), form a pole that limits circuit bandwidth to $1/2 \pi R_S C_S$. Figure 31 shows the follower pulse response from a 1 MΩ source resistance with the amplifier’s input pin isolated from the board, only the effect of the AD546’s input common-mode capacitance is seen.

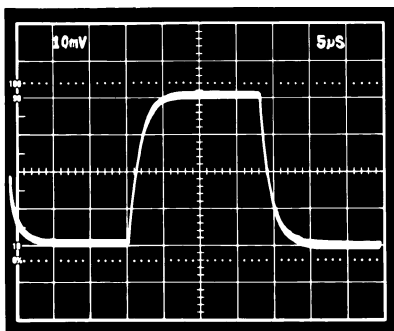


Figure 31. Follower Pulse Response from 1 MΩ Source Resistance

In an inverting configuration, the differential input capacitance forms a pole in the circuit’s loop transmission. This can create peaking in the ac response and possible instability. A feedback capacitance can be used to stabilize the circuit. The inverter pulse response with R_F and R_S equal to 1 MΩ, and the input pin isolated from the board appears in Figure 32. Figure 33 shows the response of the same circuit with a 1 pF feedback capacitance. Typical differential input capacitance for the AD546 is 1 pF.

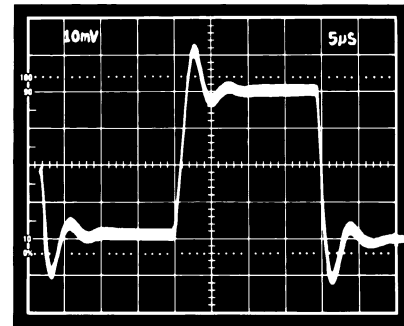


Figure 32. Inverter Pulse Response with 1 MΩ Source and Feedback Resistance

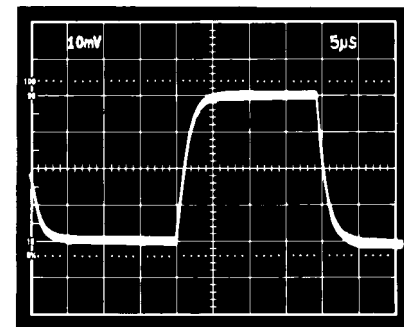


Figure 33. Inverter Pulse Response with 1 MΩ Source and Feedback Resistance, 1 pF Feedback Capacitance

COMMON-MODE INPUT VOLTAGE OVERLOAD

The rated common-mode input voltage range of the AD546 is from 3 V less than the positive supply voltage to 5 V greater than the negative supply voltage. Exceeding this range will degrade the amplifier’s CMRR. Driving the common-mode voltage above the positive supply will cause the amplifier’s output to saturate at the upper limit of output voltage. Recovery time is typically 2 μs after the input has been returned to within the normal operating range. Driving the input common mode voltage within 1 V of the negative supply causes phase reversal of the output signal. In this case, normal operation is typically resumed within 0.5 ms of the input voltage returning within range.

DIFFERENTIAL INPUT VOLTAGE OVERLOAD

A plot of the AD546’s input current versus differential input voltage (defined as $V_{IN+} - V_{IN-}$) appears in Figure 34. The

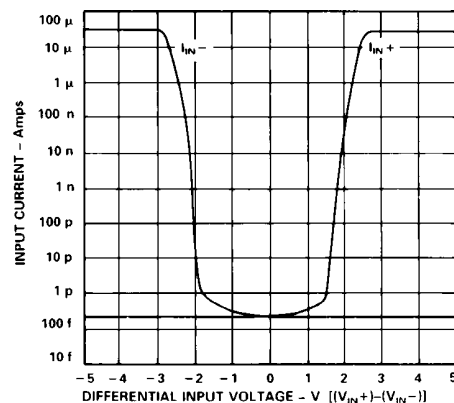


Figure 34. Input Current vs. Differential Input Voltage

AD546

input current at either terminal stays below a few hundred femtoamps until one input terminal is forced higher than 1 V to 1.5 V above the other terminal. Under these conditions, the input current limits at 30 μA .

INPUT PROTECTION

The AD546 safely handles any input voltage within the supply voltage range. Subjecting the input terminals to voltages beyond the power supply can destroy the device or cause shifts in input current or offset voltage if the amplifier is not protected.

A protection scheme for the amplifier as an inverter is shown in Figure 35. The protection resistor, R_P , is chosen to limit the current through the inverting input to 1 mA for expected transient (less than 1 second) overvoltage conditions, or to 100 μA for a continuous overload. Since R_P is inside the feedback loop, and is much lower in value than the amplifier's input resistance, it does not affect the inverter's dc gain. However, the Johnson noise of the resistor will add root sum of squares to the amplifier's input noise.

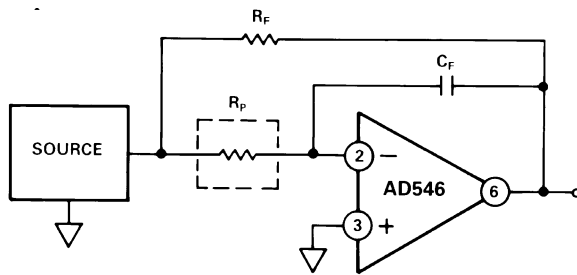


Figure 35. Inverter with Input Current Limit

In the corresponding version of this scheme for a follower, shown in Figure 36, R_P and the capacitance at the positive input terminal will produce a pole in the signal frequency response at a $f = 1/2 \pi RC$. Again, the Johnson noise of R_P will add to the amplifier's input voltage noise.

Figure 37 is a schematic of the AD546 as an inverter with an input voltage clamp. Bootstrapping the clamp diodes at the inverting input minimizes the voltage across the clamps and keeps the leakage due to the diodes low. Low leakage diodes (less

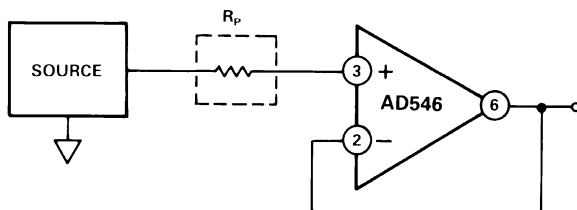


Figure 36. Follower with Input Current Limit

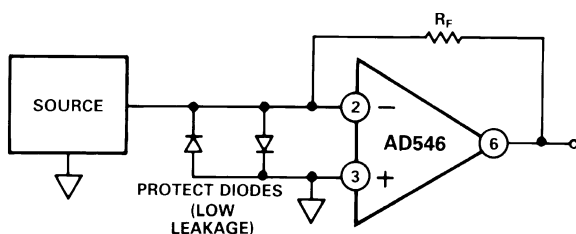


Figure 37. Input Voltage Clamp with Diodes

than 1 pA), such as the FD333's should be used, and should be shielded from light to keep photocurrents from being generated. Even with these precautions, the diodes will measurably increase the input current and capacitance.

In order to achieve the low input bias currents of the AD546, it is not possible to use the same on-chip protection as used in other Analog Devices op amps. This makes the AD546 sensitive to handling and precautions should be taken to minimize ESD exposure whenever possible.

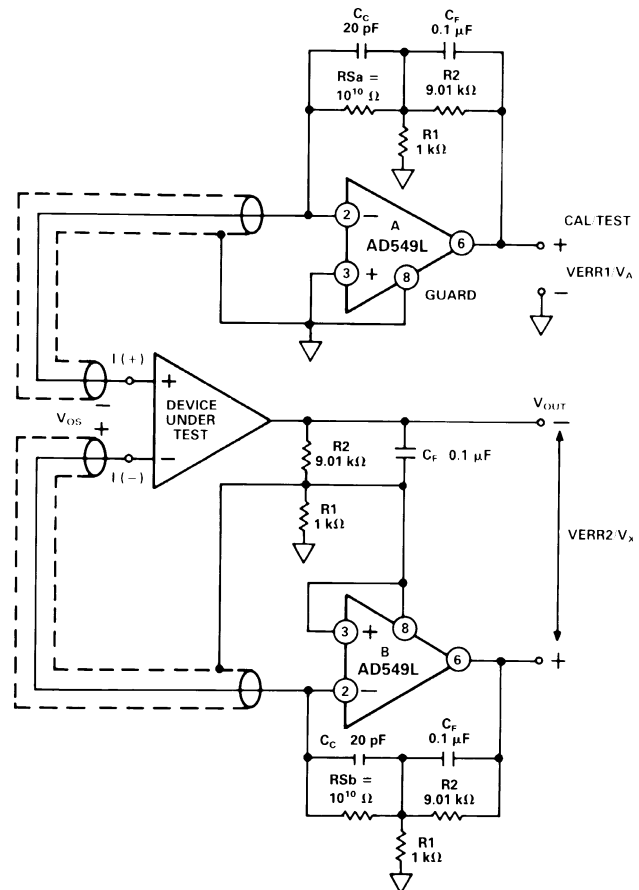


Figure 38. Sample and Difference Circuit for Measuring Electrometer Leakage Currents

MEASURING ELECTROMETER LEAKAGE CURRENTS

There are a number of methods used to test electrometer leakage currents, including current integration and direct current to voltage conversion. Regardless of the method used, board and interconnect cleanliness, proper choice of insulating materials (such as Teflon or Kel-F), correct guarding and shielding techniques and care in physical layout are essential for making accurate leakage measurements.

Figure 38 is a schematic of the sample and difference circuit which is useful for measuring the leakage currents of the AD546 and other electrometer amplifiers. The circuit uses two AD549 electrometer amplifiers (A and B) as current to voltage converters with high value ($10^{10} \Omega$) sense resistors (R_{Sa} and R_{Sb}). R_1 and R_2 provide for an overall circuit sensitivity of 10 fA/mV (10 pA full scale). C_C and C_F provide noise suppression and loop compensation. C_C should be a low leakage polystyrene capacitor. An ultralow-leakage Kel-F test socket is used for con-

tacting the device under test. Rigid Teflon coaxial cable is used to make connections to all high impedance nodes. The use of rigid coax affords immunity to error induced by mechanical vibration and provides an outer conductor for shielding. The entire circuit is enclosed in a grounded metal box.

The test apparatus is calibrated without a device under test present. A five minute stabilization period after the power is turned on is required. First, V_{ERR1} and V_{ERR2} are measured. These voltages are the errors caused by offset voltages and leakage currents of the current to voltage converters.

$$V_{ERR1} = 10 (V_{OS}A - I_B A \times R_S a)$$

$$V_{ERR2} = 10 (V_{OS}B - I_B B \times R_S b)$$

Once measured, these errors are subtracted from the readings taken with a device under test present. Amplifier B closes the feedback loop to the device under test, in addition to providing current to voltage conversion. The offset error of the device under test appears as a common-mode signal and does not affect the test measurement. As a result, only the leakage current of the device under test is measured.

$$V_A - V_{ERR1} = 10 [R_S a \times I_B (+)]$$

$$V_X - V_{ERR2} = 10 [R_S b \times I_B (-)]$$

Although a series of devices can be tested after only one calibration measurement, calibration should be updated periodically to compensate for any thermal drift of the current-to-voltage converters or changes in the ambient environment. Laboratory results have shown that repeatable measurements within 10 fA can be realized when this apparatus is properly implemented. These results are achieved in part by the design of the circuit, which eliminates relays and other parasitic leakage paths in the high impedance signal lines, and in part by the inherent cancellation of errors through the calibration and measurement procedure.

PHOTODIODE INTERFACE

The AD546's 1 pA current and low input offset voltage make it a good choice for very sensitive photodiode preamps (Figure 39). The photodiode develops a signal current, I_S , equal to:

$$I_S = R \times P$$

where P is light power incident on the diode's surface in watts and R is the photodiode responsivity in amps/watt. R_F converts the signal current to an output voltage:

$$V_{OUT} = R_F \times I_S$$

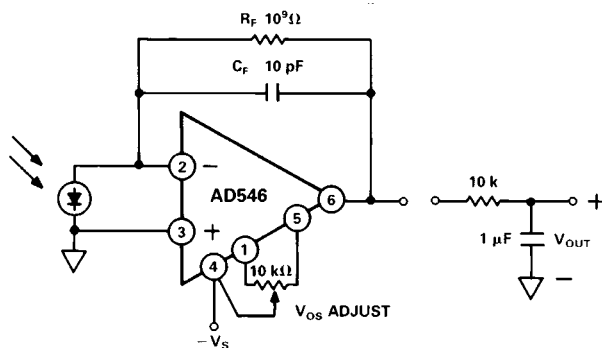


Figure 39. Photodiode Preamp

DC error sources and an equivalent circuit for a small area (0.2 mm square) photodiode are indicated in Figure 40.

Input current, I_B , will contribute an output voltage error, V_{E1} , proportional to the feedback resistance:

$$V_{E1} = I_B \times R_F$$

The op amp's input voltage offset will cause an error current through the photodiode's shunt resistance, R_S :

$$I = V_{OS} / R_S$$

The error current will result in an error voltage (V_{E2}) at the amplifier's output equal to:

$$V_{E2} = (1 + R_F / R_S) V_{OS}$$

Given typical values of photodiode shunt resistance (on the order of $10^9 \Omega$), R_F / R_S can be greater than one, especially if a large feedback resistance is used. Also, R_F / R_S will increase with temperature, as photodiode shunt resistance typically drops by a factor of two for every 10°C rise in temperature. An op amp with low offset voltage and low drift helps maintain accuracy.

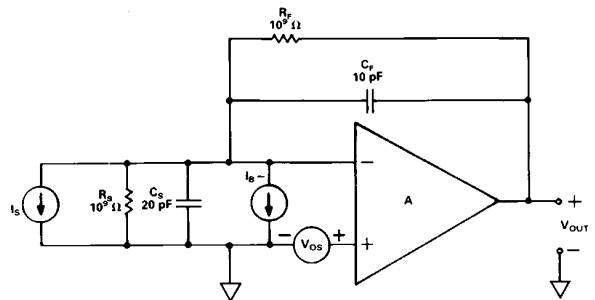


Figure 40. Photodiode Preamp DC Error Sources

Photodiode Preamp Noise

Noise limits the signal resolution obtainable with the preamp. The output voltage noise divided by the feedback resistance is the minimum current signal that can be detected. This minimum detectable current divided by the responsivity of the photodiode represents the lowest light power that can be detected by the preamp.

Noise sources associated with the photodiode, amplifier, and feedback resistance are shown in Figure 41; Figure 42 is the voltage spectral density versus frequency plot of each of the noise source's contribution to the output voltage noise (circuit parameters in Figure 40 are assumed). Each noise source's rms contribution to the total output voltage noise is obtained by integrating the square of its spectral density function over frequency. The rms value of the output voltage noise is the square root of the sum of all contributions. Minimizing the total area under these curves will optimize the preamplifier's resolution for a given bandwidth.

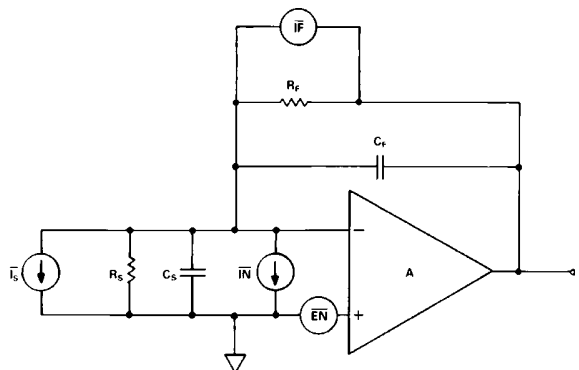


Figure 41. Photodiode Preamp Noise Sources

AD546

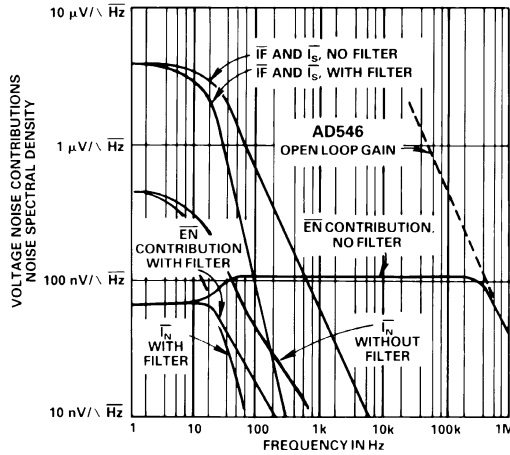


Figure 42. Photodiode Preamp Noise Sources' Spectral Density vs. Frequency

The photodiode preamp in Figure 39 can detect a signal current of 26 fA rms at a bandwidth of 16 Hz, which assuming a photodiode responsivity of 0.5 A/W, translates to a 52 fW rms minimum detectable power. The photodiode used has a high source resistance and low junction capacitance. C_F sets the signal bandwidth with R_F and also limits the "peak" in the noise gain that multiplies the op amp's input voltage noise contribution. A single pole filter at the amplifier's output limits the op amp's output voltage noise bandwidth to 26 Hz, a frequency comparable to the signal bandwidth. This greatly improves the preamplifier's signal to noise ratio (in this case, by a factor of three).

Photodiode Array Processor

The AD546 is a cost effective preamp for multichannel applications, such as amplifying signals from photo diode arrays, as illustrated in Figure 43. An AD546 preamp converts each of the diodes' output currents to a voltage. An 8 to 1 multiplexer switches a particular preamp output to the input of an AD1380 16-bit sampling ADC. The output of the ADC can be displayed or put onto a databus. Additional preamps and muxes can be added to handle larger arrays. Layout of multichannel circuits is critical. Refer to "PC board notes" for guidance.

pH PROBE AMPLIFIER

A pH probe can be modeled as a mV-level voltage source with a series source resistance dependent upon the electrode's composition and configuration. The glass bulb resistance of a typical pH electrode pair falls between $10^6 \Omega$ and $10^9 \Omega$. It is, therefore, important to select an amplifier with low enough input currents such that the voltage drop produced by the amplifier's input bias current and the electrode resistance does not become an appreciable percentage of a pH unit.

The circuit in Figure 44 illustrates the use of the AD546 as a pH probe amplifier. As with other electrometer applications, the use of guarding, shielding, Teflon standoffs, etc., is a must in order to capitalize on the AD546's low input current. If an AD546J (1 pA max input current) is used, the error contributed by input current will be held below 10 mV for pH electrode source impedances up to $10^9 \Omega$. Input offset voltage (which can be trimmed) will be below 2 mV. Refer to AD549 data sheet for temperature compensated pH probe amplifier circuit.

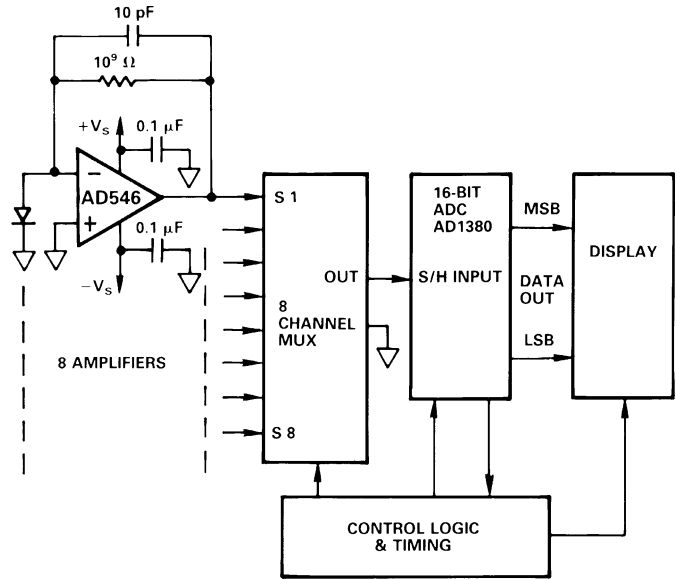


Figure 43. Photodiode Array Processor

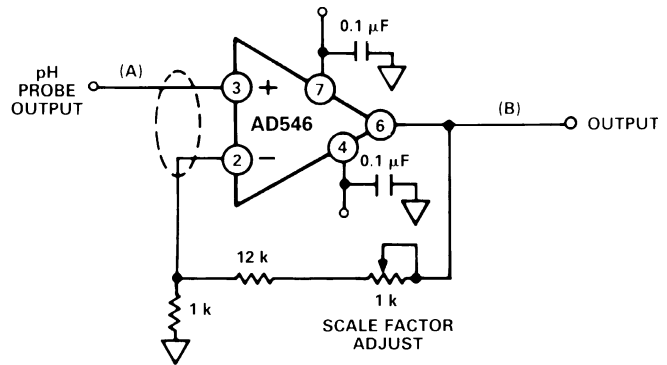


Figure 44. pH Probe Amplifier

OUTLINE DIMENSIONS

Dimensions shown in inches and (mm).

Mini-DIP (N) Package

