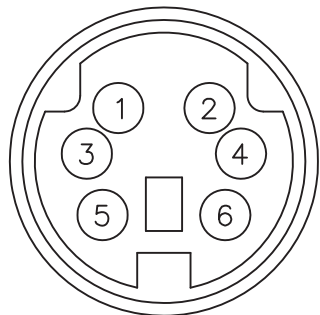
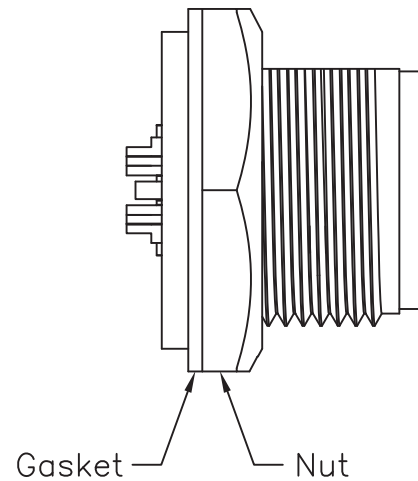
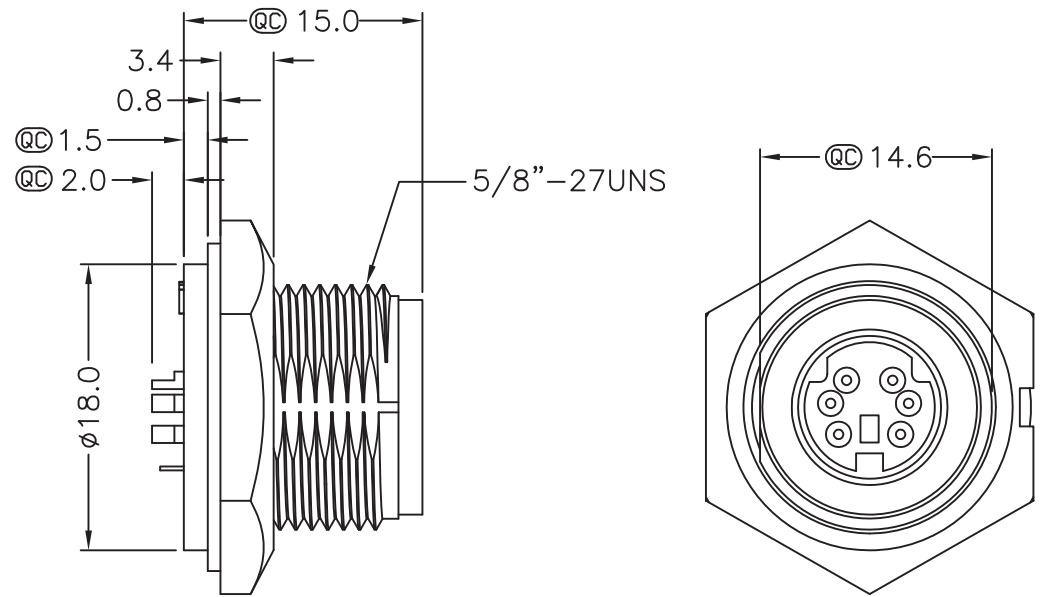
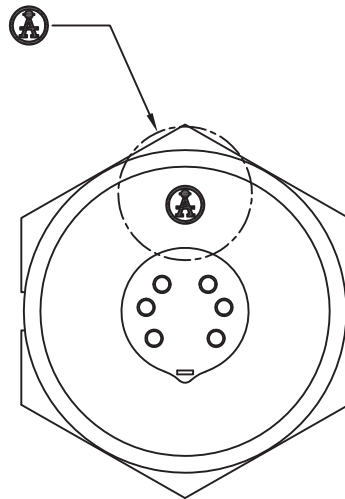


Recommended Panel Cut-Out



Pin Assignments
Front View



Gasket Nut

Material:

- Waterproof Rate: IP67
- Connector: Mini DIN 6Pin Male
- Nut: Nylon+GF
- Gasket: EPDM
- For panel thickness Max 4.0M

QC Quality Control: Important Dimension to check
Unit: MM±0.25MM

Ⓜ = Assmann logo



ITEM NO.

A-MD-06PMFS-WP-R

TITLE

Waterproof Mini DIN Connector - 6 Pin,
Male connector, Female pin

ASSMANN
Electronics, Inc.

1840 W. Drake Drive, Suite 101 • Tempe, AZ 85283
Toll Free: 1-877-277-6266 • Email: info@usa-assmann.com

THIS DRAWING IS UNPUBLISHED
©Copyright 2010 by Assmann Electronic Components
All International Rights Reserved