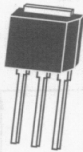


CQ202-4BS-2
 CQ202-4DS-2
 CQ202-4MS-2
 CQ202-4NS-2

4.0 AMP TRIAC
 200 THRU 800 VOLTS



TO-202-2 THYRISTOR CASE

DESCRIPTION:

The CENTRAL SEMICONDUCTOR CQ202-4BS-2 series type is an Epoxy Molded Silicon Triac designed for full wave AC control applications featuring gate triggering in all four (4) quadrants.

MARKING CODE: FULL PART NUMBER

MAXIMUM RATINGS: ($T_C=25^\circ\text{C}$ unless otherwise noted)

	SYMBOL	CQ202 -4BS-2	CQ202 -4DS-2	CQ202 -4MS-2	CQ202 -4NS-2	UNITS
Peak Repetitive Off-State Voltage	V_{DRM}	200	400	600	800	V
RMS On-State Current ($T_C=80^\circ\text{C}$)	$I_T(\text{RMS})$			4.0		A
Peak One Cycle Surge ($t=10\text{ms}$)	I_{TSM}			40		A
I^2t Value for Fusing ($t=10\text{ms}$)	I^2t			2.4		A^2s
Peak Gate Power ($t_p=10\mu\text{s}$)	P_{GM}			3.0		W
Average Gate Power Dissipation	$P_{G(\text{AV})}$			0.2		W
Peak Gate Current ($t_p=10\mu\text{s}$)	I_{GM}			1.2		A
Storage Temperature	T_{stg}			-40 to +150		$^\circ\text{C}$
Junction Temperature	T_J			-40 to +125		$^\circ\text{C}$
Thermal Resistance	θ_{JA}			60		$^\circ\text{C/W}$
Thermal Resistance	θ_{JC}			7.5		$^\circ\text{C/W}$

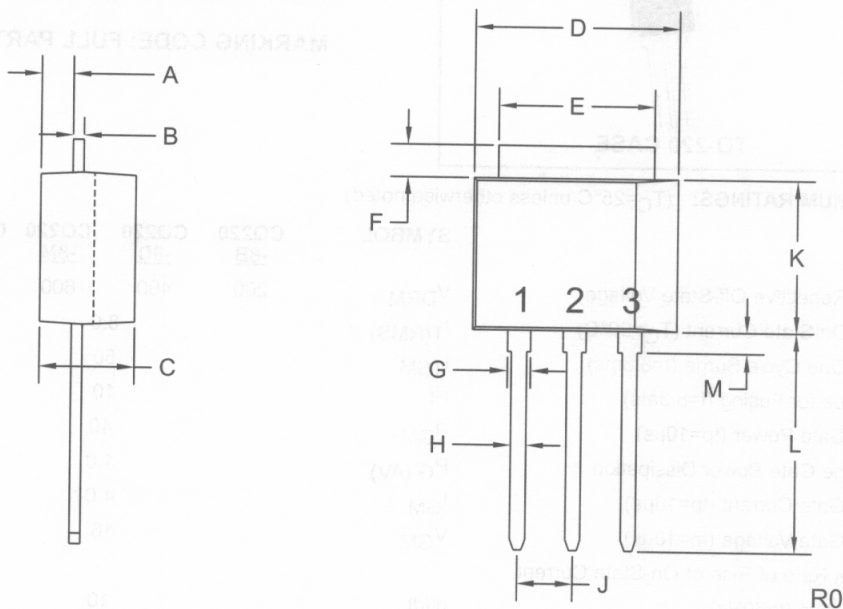
ELECTRICAL CHARACTERISTICS: ($T_C=25^\circ\text{C}$ unless otherwise noted)

SYMBOL	TEST CONDITIONS	MIN	TYP	MAX	UNITS
I_{DRM}	Rated V_{DRM} , $R_{GK}=1\text{K}\Omega$			10	μA
I_{DRM}	Rated V_{DRM} , $R_{GK}=1\text{K}\Omega$, $T_C=125^\circ\text{C}$			200	μA
I_{GT}	$V_D=12\text{V}$, QUAD I, II, III		2.5	5.0	mA
I_{GT}	$V_D=12\text{V}$, QUAD IV		5.4	9.0	mA
I_H	$R_{GK}=1\text{K}\Omega$		1.6	5.0	mA
V_{GT}	$V_D=12\text{V}$, QUAD I, II, III, IV		0.95	1.75	V
V_{TM}	$I_{TM}=6.0\text{A}$, $t_p=380\mu\text{s}$		1.25	1.75	V
dv/dt	$V_D=2/3 V_{DRM}$, $T_C=125^\circ\text{C}$	11			V/ μs

CQ202-4BS-2
CQ202-4DS-2
CQ202-4MS-2
CQ202-4NS-2

4.0 AMP TRIAC
200 THRU 800 VOLTS

TO-202-2 THYRISTOR CASE - MECHANICAL OUTLINE



DATA SHEETS

LEAD CODE:

- 1) MT1
- 2) MT2
- 3) GATE

NOTE: TAB IS COMMON TO PIN 2 (MT2)

MARKING CODE:
FULL PART NUMBER

SYMBOL	DIMENSIONS			
	INCHES		MILLIMETERS	
	MIN	MAX	MIN	MAX
A	0.057	0.061	1.45	1.55
B	0.019	0.021	0.49	0.52
C	0.175	0.180	4.44	4.56
D	0.376	0.388	9.55	9.85
E	-	0.350	-	8.89
F	-	0.070	-	1.78
G	0.035	0.043	0.90	1.10
H	0.023	0.028	0.59	0.71
J	0.098	0.102	2.49	2.59
K	0.280	0.301	7.12	7.65
L	0.406	0.425	10.30	10.80
M	0.024	0.059	0.60	1.50

TO-202-2 Thyristor (REV: R0)

R1 (14-September 2004)