

# BG24064A20



## Feature

1. SMT PCB with metal frame
2. 240\*64 dots
3. Built-in controller T6963C
4. + 5V single power supply
5. 1/64 duty cycle
6. **RS232 interface**
7. Option: LED,EL,CCFL backlight



## Mechanical Data

Item	Standard Value	Unit
Module Dimension	180.0 x 65.0	mm
Viewing Area	133.0 x 39.0	mm
Dot Size	0.49 x 0.49	mm
Dot Pitch	0.53 x 0.53	mm

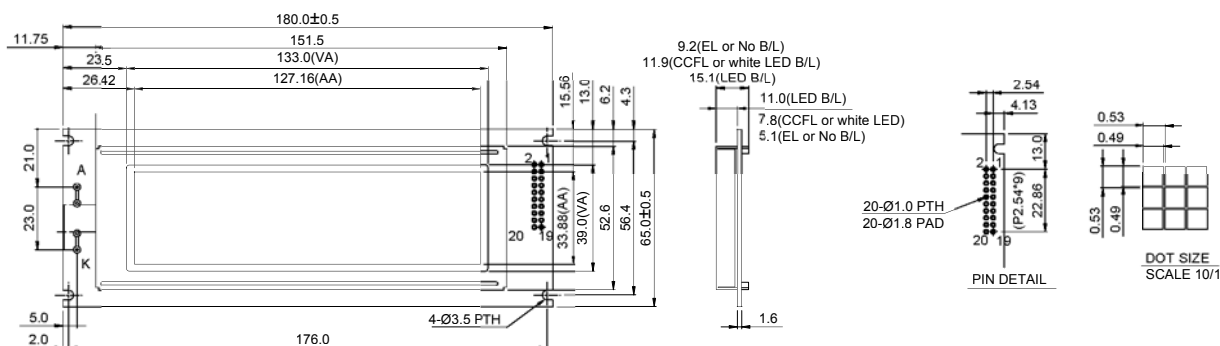
## Pin Assignment RS232

Pin	Symbol	Function
2	Data Out	Data out from LCM
3	Data In	Data from user
5	GND	Ground

## Electronic Characteristics

Item	Symbol	Condition	Typical Value	Unit
Input Voltage	Vdd	Vdd = +5V	5.0	V
Supply Current	Idd	Vdd = +5V	50.0	mA
LCD Driving Voltage	Vdd-Vo	25°C	12.7	V
LED Forward Voltage	Vf	25°C	4.2	V
LED Forward Current	If	25°C	450	mA
EL Power Voltage	Vel	Vel=110Vac/400Hz		V

## Dimension



PIN NO.	SYMBOL
1	FGND
2	Vss
3	Vdd
4	Vo
5	WR
6	RD
7	CE
8	C/D
9	NV
10	RESET
11	DB0
12	DB1
13	DB2
14	DB3
15	DB4
16	DB5
17	DB6
18	DB7
19	FS
20	NC